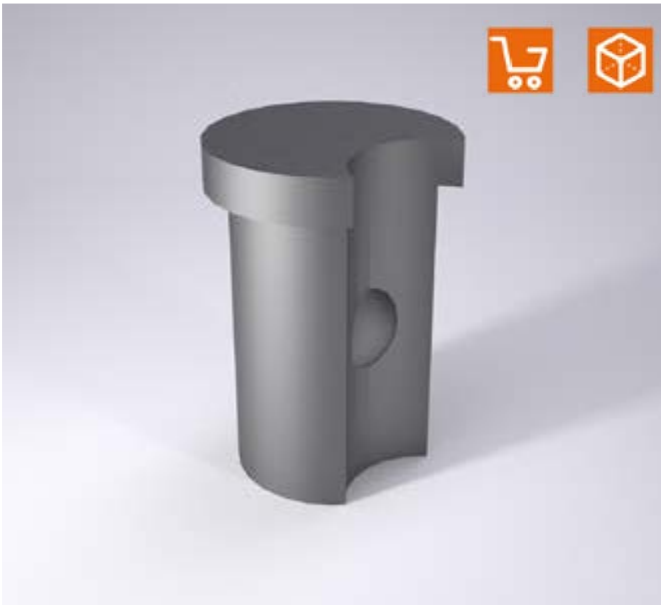
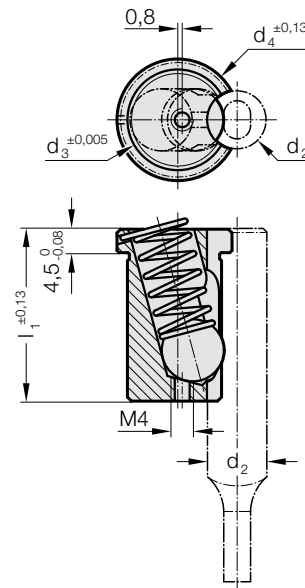


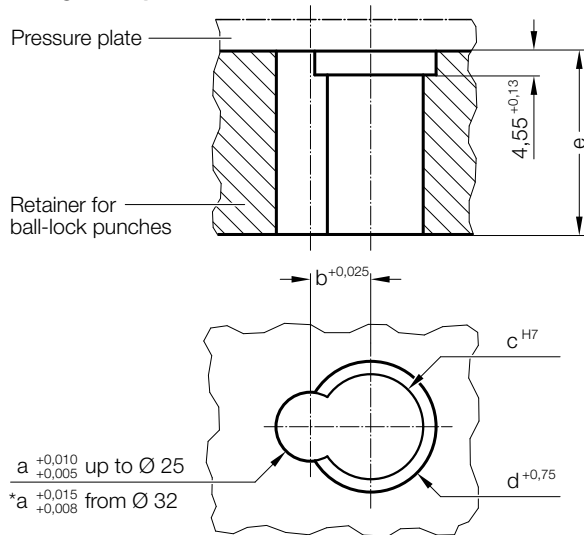
ACCU-LOCK FIXTURE DEVICE FOR BALL-LOCK PUNCHES, HEAVY DUTY



2668.3.



Mounting example



Note:

Use ball release tool 2666.05.02, straight.

2668.3. ACCU-LOCK Fixture device for ball-lock punches, heavy duty

Order No	d ₂	d ₃	d ₄	l ₁	a	b	c	d	e
2668.3.10	10	16	19.6	34.7	10	10	16.013	20	34.7
2668.3.13	13	20	24.6	34.7	13	11.5	20.013	25	34.7
2668.3.16	16	20	24.6	34.7	16	13	20.013	25	34.7
2668.3.20	20	20	24.6	34.7	20	15	20.013	25	34.7
2668.3.25	25	20	24.6	34.7	25	17.5	20.013	25	34.7
2668.3.32	32	20	24.6	34.7	32	21	20.013	25	34.7
2668.3.40	40	20	24.6	34.7	40	25	20.013	25	34.7