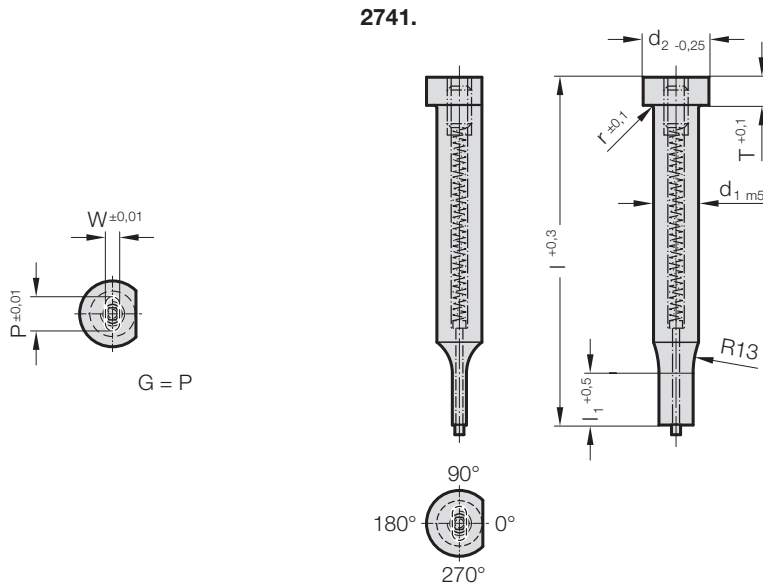


PUNCH, STEPPED, SLOT, WITH EJECTOR PIN, ISO 8020

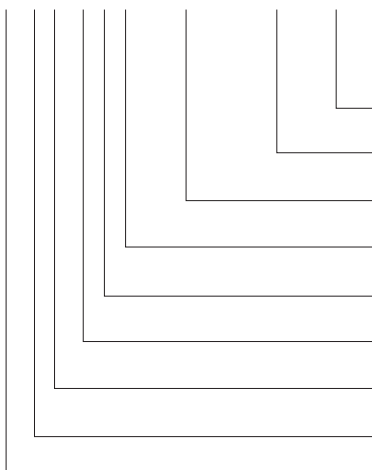


2741. Punch, stepped, slot, with ejector pin, ISO 8020

d ₁ / Order No	d ₂	W _{min}	G _{max}	l ₁ / Order No	r	T	l / (Order Code character)	71 (D)	80 (E)	90 (F)	100 (G)	120 (J)
5 / (3)	8	2	4.9	13 (3) 19 (4)	0.3	5		●	●	●	●	●
6 / (4)	9	2.5	5.9	13 (3) 19 (4)	0.3	5		●	●	●	●	●
8 / (5)	11	4	7.9	19 (4) 25 (5)	0.3	5		●	●	●	●	●
10 / (6)	13	4	9.9	19 (4) 25 (5)	0.3	5		●	●	●	●	●
13 / (7)	16	6	12.9	19 (4) 25 (5)	0.4	5		●	●	●	●	●
16 / (8)	19	8	15.9	19 (4) 25 (5)	0.4	5		●	●	●	●	●
20 / (9)	23	10	19.9	19 (4) 25 (5)	0.4	5		●	●	●	●	●
25 / (10)	28	12	24.9	19 (4) 25 (5)	0.4	5		●	●	●	●	●
32 / (11)	35	16	31.9	25 (5) 30 (6)	0.4	5		●	●	●	●	●

Ordering Code (example):

2741.9E5.1650.1220.B



Angle:
90°
Shape: slot, Width W
W = 12,2 mm
Shape: slot, Length P
P = 16,5 mm
Punch cutting length: l₁
25 mm
Length: l
80 mm
Diameter: d₁
20 mm
Type:
ISO
Execution:
slot
Punch:
with ejector pin

Order Code character
= (B)
= 1220
= 1650
Order No
= (5)
Order Code character
= (E)
Order No
= (9)
Order No
= (1)
Order No
= (4)
= 27

Material:

HSS
Hardness:
Shaft 64 ± 2 HRC
Head 52 ± 5 HRC

Execution:

Punch head hot upset-forged. Shoulder, shaft and punch shape fine ground.
The anti-rotation surface parallel to P = 0° as standard.
Special dimensions on request.