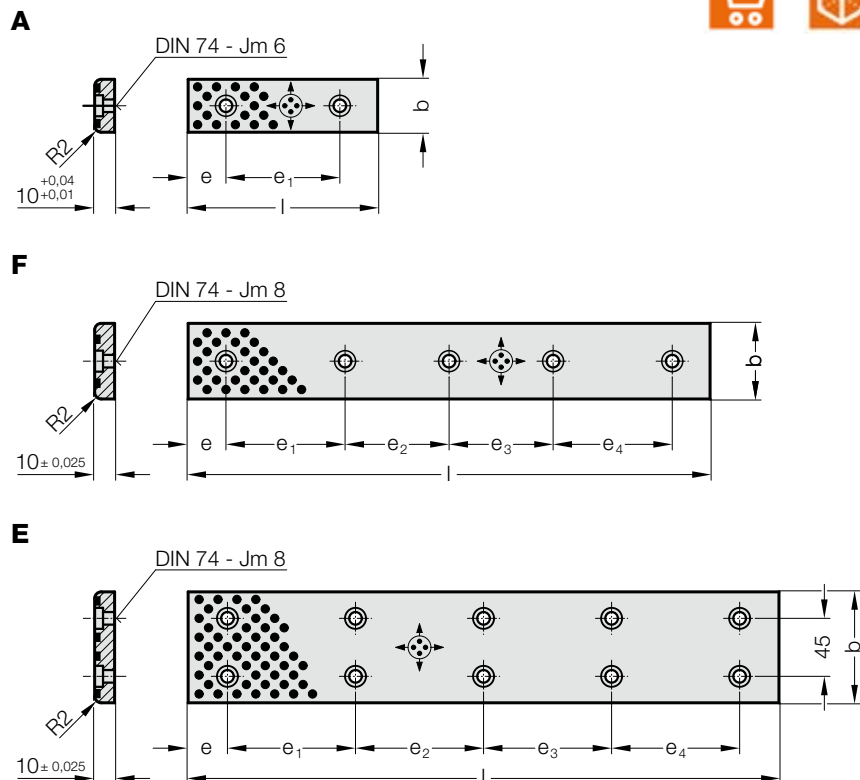


FLAT GUIDE BAR, BRONZE WITH SOLID LUBRICANT

2961.70.



Material:

Bronze with solid lubricant, oilless lubricating

Execution:

Sliding faces ground.

Note:

Screws are not included.

Fixing:

Use socket cap screws DIN 7984.

2961.70. Flat guide bar, Bronze with solid lubricant

Order No	Shape	b	l	e	e ₁	e ₂	e ₃	e ₄	Number of screw holes
2961.70.018.075	A	18	75	15	45	-	-	-	2
2961.70.018.100	A	18	100	25	50	-	-	-	2
2961.70.018.125	A	18	125	25	75	-	-	-	2
2961.70.018.150	A	18	150	25	100	-	-	-	2
2961.70.028.075	A	28	75	15	45	-	-	-	2
2961.70.028.100	A	28	100	25	50	-	-	-	2
2961.70.028.125	A	28	125	25	75	-	-	-	2
2961.70.028.150	A	28	150	25	100	-	-	-	2
2961.70.035.100	F	35	100	20	60	-	-	-	2
2961.70.035.150	F	35	150	20	55	55	-	-	3
2961.70.035.200	F	35	200	20	55	50	55	-	4
2961.70.035.250	F	35	250	20	70	70	70	-	4
2961.70.035.300	F	35	300	20	65	65	65	65	5
2961.70.035.350	F	35	350	20	80	75	75	80	5
2961.70.038.075	A	38	75	15	45	-	-	-	2
2961.70.038.100	A	38	100	25	50	-	-	-	2
2961.70.038.125	A	38	125	25	75	-	-	-	2
2961.70.038.150	A	38	150	25	100	-	-	-	2
2961.70.048.075	A	48	75	15	45	-	-	-	2
2961.70.048.100	A	48	100	25	50	-	-	-	2
2961.70.048.125	A	48	125	25	75	-	-	-	2
2961.70.048.150	A	48	150	25	100	-	-	-	2
2961.70.050.100	F	50	100	20	60	-	-	-	2
2961.70.050.150	F	50	150	20	55	55	-	-	3
2961.70.050.200	F	50	200	20	55	50	55	-	4
2961.70.050.250	F	50	250	20	70	70	70	-	4
2961.70.050.300	F	50	300	20	65	65	65	65	5
2961.70.050.350	F	50	350	20	80	75	75	80	5
2961.70.050.400	F	50	400	20	90	90	90	90	5
2961.70.075.150	E	75	150	20	110	-	-	-	4
2961.70.075.200	E	75	200	20	80	80	-	-	6
2961.70.075.250	E	75	250	20	105	105	-	-	6
2961.70.075.300	E	75	300	20	85	90	85	-	8
2961.70.075.400	E	75	400	20	120	120	120	-	8
2961.70.075.500	E	75	500	20	115	115	115	115	10