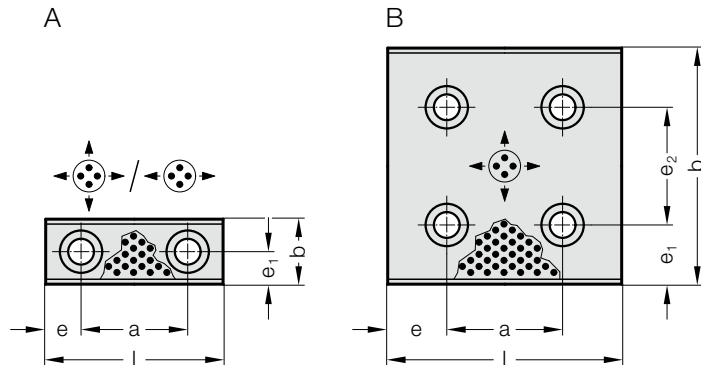


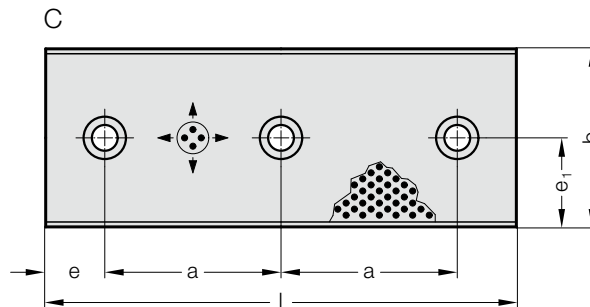
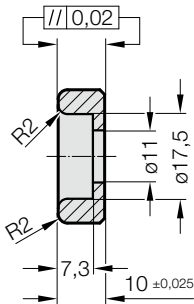
平导板，带固态润滑剂的青铜



2961.75.



2961.75.



材料：
带固态润滑剂的铜，易维护

说明：
不提供螺栓。

注意：
宽度为28和38mm的平压板 只能供纵向运动。

固定件：
使用符合 DIN 7984 M10 标准的圆柱头螺栓。

2961.75. 平导板，带固态润滑剂的青铜

| 订购编号 | 形状 | b | l | e | a | e ₁ | e ₂ | 钻孔数量 |
|-----------------|----|-----|-----|----|-----|----------------|----------------|------|
| 2961.75.028.075 | A | 28 | 75 | 15 | 45 | 14 | - | 2 |
| 2961.75.028.100 | A | 28 | 100 | 25 | 50 | 14 | - | 2 |
| 2961.75.028.125 | A | 28 | 125 | 25 | 75 | 14 | - | 2 |
| 2961.75.028.150 | A | 28 | 150 | 25 | 100 | 14 | - | 2 |
| 2961.75.038.075 | A | 38 | 75 | 15 | 45 | 19 | - | 2 |
| 2961.75.038.100 | A | 38 | 100 | 25 | 50 | 19 | - | 2 |
| 2961.75.038.125 | A | 38 | 125 | 25 | 75 | 19 | - | 2 |
| 2961.75.038.150 | A | 38 | 150 | 25 | 100 | 19 | - | 2 |
| 2961.75.048.075 | A | 48 | 75 | 15 | 45 | 24 | - | 2 |
| 2961.75.048.100 | A | 48 | 100 | 25 | 50 | 24 | - | 2 |
| 2961.75.048.125 | A | 48 | 125 | 25 | 75 | 24 | - | 2 |
| 2961.75.048.150 | A | 48 | 150 | 25 | 100 | 24 | - | 2 |
| 2961.75.048.200 | A | 48 | 200 | 50 | 100 | 24 | - | 2 |
| 2961.75.058.075 | A | 58 | 75 | 15 | 45 | 29 | - | 2 |
| 2961.75.058.100 | A | 58 | 100 | 25 | 50 | 29 | - | 2 |
| 2961.75.058.125 | A | 58 | 125 | 25 | 75 | 29 | - | 2 |
| 2961.75.058.150 | A | 58 | 150 | 25 | 100 | 29 | - | 2 |
| 2961.75.058.200 | A | 58 | 200 | 50 | 100 | 29 | - | 2 |
| 2961.75.075.075 | A | 75 | 75 | 15 | 45 | 37,5 | - | 2 |
| 2961.75.075.100 | A | 75 | 100 | 25 | 50 | 37,5 | - | 2 |
| 2961.75.075.125 | A | 75 | 125 | 25 | 75 | 37,5 | - | 2 |
| 2961.75.075.150 | A | 75 | 150 | 25 | 100 | 37,5 | - | 2 |
| 2961.75.075.200 | C | 75 | 200 | 25 | 75 | 37,5 | - | 3 |
| 2961.75.100.100 | B | 100 | 100 | 25 | 50 | 25 | 50 | 4 |
| 2961.75.100.125 | B | 100 | 125 | 25 | 75 | 25 | 50 | 4 |
| 2961.75.100.150 | B | 100 | 150 | 25 | 100 | 25 | 50 | 4 |
| 2961.75.100.200 | B | 100 | 200 | 25 | 150 | 25 | 50 | 4 |
| 2961.75.100.250 | B | 100 | 250 | 25 | 200 | 25 | 50 | 4 |
| 2961.75.125.150 | B | 125 | 150 | 25 | 100 | 37,5 | 50 | 4 |
| 2961.75.125.200 | B | 125 | 200 | 25 | 150 | 37,5 | 50 | 4 |
| 2961.75.125.250 | B | 125 | 250 | 25 | 200 | 37,5 | 50 | 4 |
| 2961.75.150.150 | B | 150 | 150 | 25 | 100 | 25 | 100 | 4 |
| 2961.75.150.200 | B | 150 | 200 | 25 | 150 | 25 | 100 | 4 |