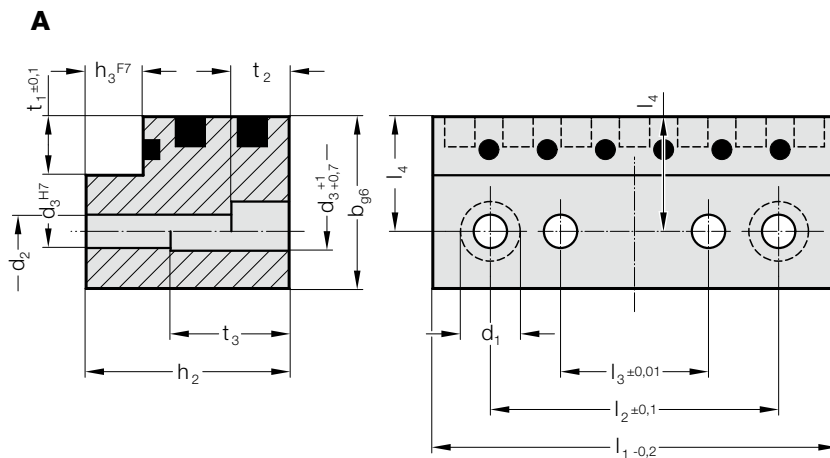
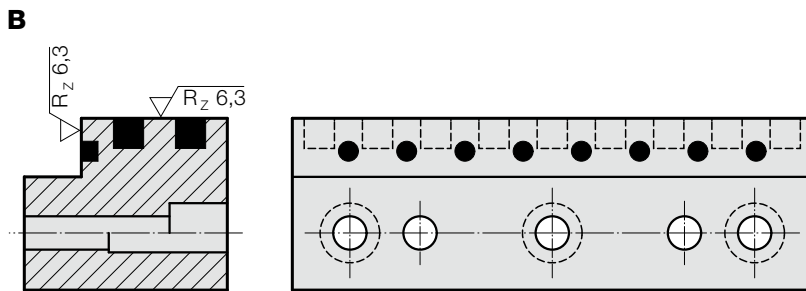


ANGLED GUIDE GIB, BRONZE WITH SOLID LUBRICANT

2962.83.



Material:

Bronze with solid lubricant, oilless lubricating

Note:

Screws and pins are not included.

Fixing:

Use socket cap screws DIN EN ISO 4762 and dowel pins DIN 7979.

2962.83. Angled guide gib, Bronze with solid lubricant

Order No	Shape	b	h ₁	h ₂	l ₁	h ₃	t ₁	l ₂	l ₃	l ₄	d ₁	d ₂	d ₃	t ₂	t ₃	Number of screw holes
2962.83.016.012.050	A	16	12	11	50	4	5	34	14	9,5	10	5,5	5	5,7	-	2
2962.83.016.012.071	A	16	12	11	71	4	5	55	35	9,5	10	5,5	5	5,7	-	2
2962.83.016.012.090	B	16	12	11	90	4	5	74	54	9,5	10	5,5	5	5,7	-	3
2962.83.020.020.080	A	20	20	19	80	5	5	64	40	12	11	6,6	6	6,8	9,5	2
2962.83.020.020.100	A	20	20	19	100	5	5	84	60	12	11	6,6	6	6,8	9,5	2
2962.83.020.020.125	B	20	20	19	125	5	5	109	85	12	11	6,6	6	6,8	9,5	3
2962.83.025.032.100	A	25	32	31	100	6	6	80	50	15,5	15	9	8	9	19	2
2962.83.025.032.125	A	25	32	31	125	6	6	105	75	15,5	15	9	8	9	19	2
2962.83.025.032.160	B	25	32	31	160	6	6	140	110	15,5	15	9	8	9	19	3
2962.83.030.050.125	A	30	50	49	125	8	7	95	55	18	18	11	10	11	34	2
2962.83.030.050.160	A	30	50	49	160	8	7	130	90	18	18	11	10	11	34	2
2962.83.030.050.200	B	30	50	49	200	8	7	170	130	18	18	11	10	11	34	3