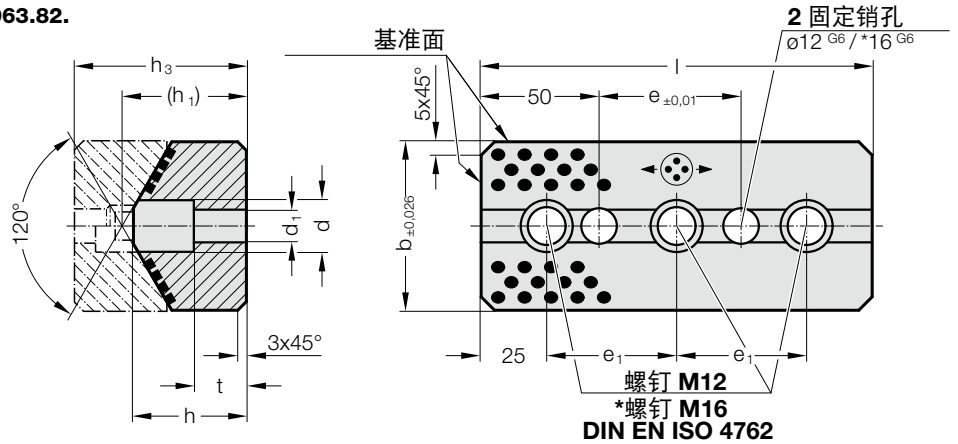


滑块，带固态润滑剂的青铜，NAAMS  
凹V导向装置，钢，NAAMS



2963.82.



材料：  
带固态润滑剂的铜，易维护  
说明：  
不提供螺栓和销钉。

2963.82. 滑块，带固态润滑剂的青铜，NAAMS

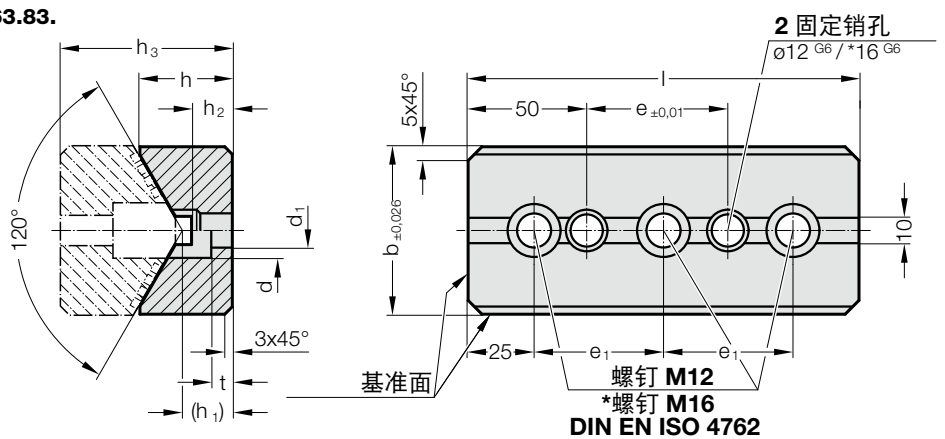
\* 同 2963.82.125.



订购编号	b	h	h <sub>1</sub>	h <sub>3</sub>	l	e <sub>1</sub>	e	d	d <sub>1</sub>	t	钻孔数量
2963.82.065.039.0150	65	39	(42)	65	150	100	50	20	13.5	13	2
2963.82.065.039.0200	65	39	(42)	65	200	150	100	20	13.5	13	2
2963.82.065.039.0250	65	39	(42)	65	250	100	150	20	13.5	13	3
2963.82.065.039.0300	65	39	(42)	65	300	125	200	20	13.5	13	3
2963.82.075.039.0150	75	39	(42)	65	150	100	50	20	13.5	13	2
2963.82.075.039.0200	75	39	(42)	65	200	150	100	20	13.5	13	2
2963.82.075.039.0250	75	39	(42)	65	250	100	150	20	13.5	13	3
2963.82.075.039.0300	75	39	(42)	65	300	125	200	20	13.5	13	3
2963.82.125.052.0150	125	52	(57)	85	150	100	50	26	17.5	15	2
2963.82.125.052.0200	125	52	(57)	85	200	150	100	26	17.5	15	2
2963.82.125.052.0250	125	52	(57)	85	250	100	150	26	17.5	15	3
2963.82.125.052.0300	125	52	(57)	85	300	125	200	26	17.5	15	3



2963.83.



材料：  
钢，表面经硬化处理  
说明：  
不提供螺栓和销钉。

2963.83. 凹V导向装置，钢，NAAMS

\* 同 2963.83.125.



订购编号	b	h	h <sub>1</sub>	h <sub>2</sub>	h <sub>3</sub>	l	e	e <sub>1</sub>	d	d <sub>1</sub>	t	钻孔数量
2963.83.065.040.0150	65	40	(23)	21	65	150	50	100	20	13.5	10	2
2963.83.065.040.0200	65	40	(23)	21	65	200	100	150	20	13.5	10	2
2963.83.065.040.0250	65	40	(23)	21	65	250	150	100	20	13.5	10	3
2963.83.065.040.0300	65	40	(23)	21	65	300	200	125	20	13.5	10	3
2963.83.075.040.0150	75	40	(23)	21	65	150	50	100	20	13.5	10	2
2963.83.075.040.0200	75	40	(23)	21	65	200	100	150	20	13.5	10	2
2963.83.075.040.0250	75	40	(23)	21	65	250	150	100	20	13.5	10	3
2963.83.075.040.0300	75	40	(23)	21	65	300	200	125	20	13.5	10	3
2963.83.125.060.0150	125	60	(28)	27	85	150	50	100	26	17.5	15	2
2963.83.125.060.0200	125	60	(28)	27	85	200	100	150	26	17.5	15	2
2963.83.125.060.0250	125	60	(28)	27	85	250	150	100	26	17.5	15	3
2963.83.125.060.0300	125	60	(28)	27	85	300	200	125	26	17.5	15	3