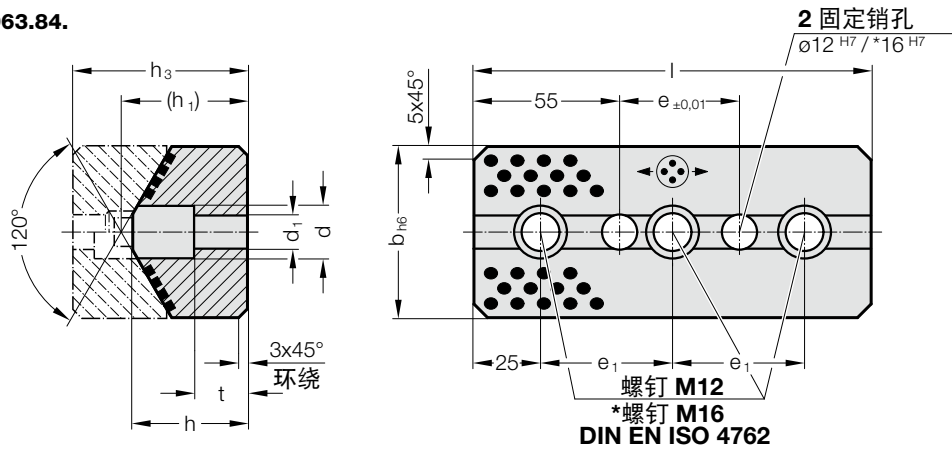


滑块，带固态润滑剂的青铜，VDI 3357
 凹V导向装置，钢，VDI 3357

2963.84.



2963.84. 滑块，带固态润滑剂的青铜，VDI 3357

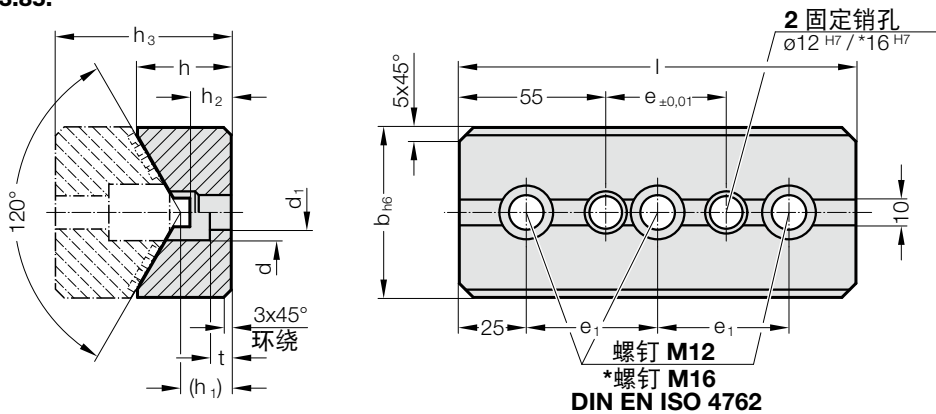
订购编号	b	h	h ₁	h ₃	l	e	e ₁	d	d ₁	t	钻孔数量
2963.84.065.044.0150	65	44	(47)	65	150	45	100	20	13.5	20	2
2963.84.065.044.0200	65	44	(47)	65	200	95	150	20	13.5	20	2
2963.84.065.044.0250	65	44	(47)	65	250	145	100	20	13.5	20	3
2963.84.065.044.0300	65	44	(47)	65	300	195	125	20	13.5	20	3
2963.84.125.047.0150	125	47	(52)	85	150	45	100	26	17.5	15	2
2963.84.125.047.0200	125	47	(52)	85	200	95	150	26	17.5	15	2
2963.84.125.047.0250	125	47	(52)	85	250	145	100	26	17.5	15	3
2963.84.125.047.0300	125	47	(52)	85	300	195	125	26	17.5	15	3
2963.84.125.052.0150	125	52	(57)	85	150	45	100	26	17.5	15	2
2963.84.125.052.0200	125	52	(57)	85	200	95	150	26	17.5	15	2
2963.84.125.052.0250	125	52	(57)	85	250	145	100	26	17.5	15	3
2963.84.125.052.0300	125	52	(57)	85	300	195	125	26	17.5	15	3

材料:
带固态润滑剂的铜，易维护
说明:
不提供螺栓和销钉。

* 同 2963.84.125.



2963.85.



2963.85. 凹V导向装置，钢，VDI 3357

订购编号	b	h	h ₁	h ₂	h ₃	l	e	e ₁	d	d ₁	t	钻孔数量
2963.85.065.035.0150	65	35	(18)	17	65	150	45	100	20	13.5	8	2
2963.85.065.035.0200	65	35	(18)	17	65	200	95	150	20	13.5	8	2
2963.85.065.035.0250	65	35	(18)	17	65	250	145	100	20	13.5	8	3
2963.85.065.035.0300	65	35	(18)	17	65	300	195	125	20	13.5	8	3
2963.85.125.060.0150	125	60	(33)	32	85	150	45	100	26	17.5	15	2
2963.85.125.060.0200	125	60	(33)	32	85	200	95	150	26	17.5	15	2
2963.85.125.060.0250	125	60	(33)	32	85	250	145	100	26	17.5	15	3
2963.85.125.060.0300	125	60	(33)	32	85	300	195	125	26	17.5	15	3
2963.85.125.060.0150.1	125	60	(28)	27	85	150	45	100	26	17.5	15	2
2963.85.125.060.0200.1	125	60	(28)	27	85	200	95	150	26	17.5	15	2
2963.85.125.060.0250.1	125	60	(28)	27	85	250	145	100	26	17.5	15	3
2963.85.125.060.0300.1	125	60	(28)	27	85	300	195	125	26	17.5	15	3

材料:
钢，表面经硬化处理
说明:
不提供螺栓和销钉。

* 同 2963.85.125.

