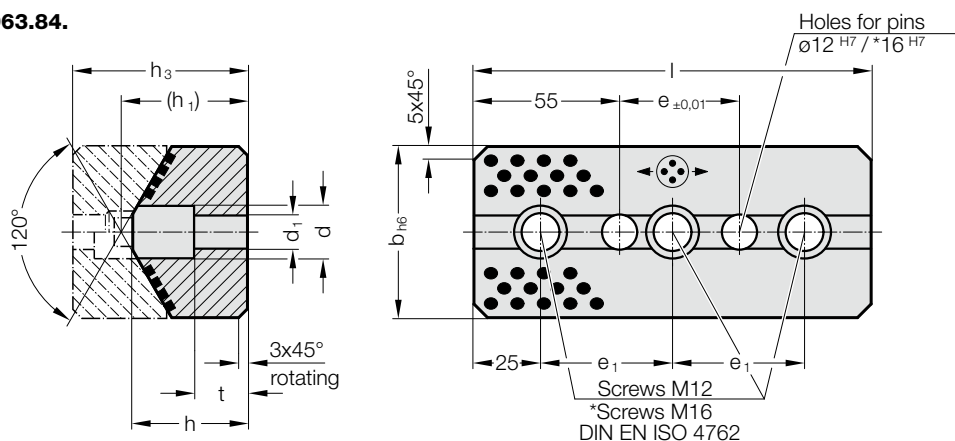


SLIDING BLOCK, BRONZE WITH SOLID LUBRICANT, VDI 3357 PRISMATIC GUIDE, STEEL, VDI 3357

2963.84.



2963.84. Sliding block, Bronze with solid lubricant, VDI 3357

Order No	b	h	h ₁	h ₃	l	e	e ₁	d	d ₁	t	Number of screw holes
2963.84.065.044.0150	65	44	(47)	65	150	45	100	20	13.5	20	2
2963.84.065.044.0200	65	44	(47)	65	200	95	150	20	13.5	20	2
2963.84.065.044.0250	65	44	(47)	65	250	145	100	20	13.5	20	3
2963.84.065.044.0300	65	44	(47)	65	300	195	125	20	13.5	20	3
2963.84.125.047.0150	125	47	(52)	85	150	45	100	26	17.5	15	2
2963.84.125.047.0200	125	47	(52)	85	200	95	150	26	17.5	15	2
2963.84.125.047.0250	125	47	(52)	85	250	145	100	26	17.5	15	3
2963.84.125.047.0300	125	47	(52)	85	300	195	125	26	17.5	15	3
2963.84.125.052.0150	125	52	(57)	85	150	45	100	26	17.5	15	2
2963.84.125.052.0200	125	52	(57)	85	200	95	150	26	17.5	15	2
2963.84.125.052.0250	125	52	(57)	85	250	145	100	26	17.5	15	3
2963.84.125.052.0300	125	52	(57)	85	300	195	125	26	17.5	15	3

Material:

Bronze with solid lubricant, oilless lubricating

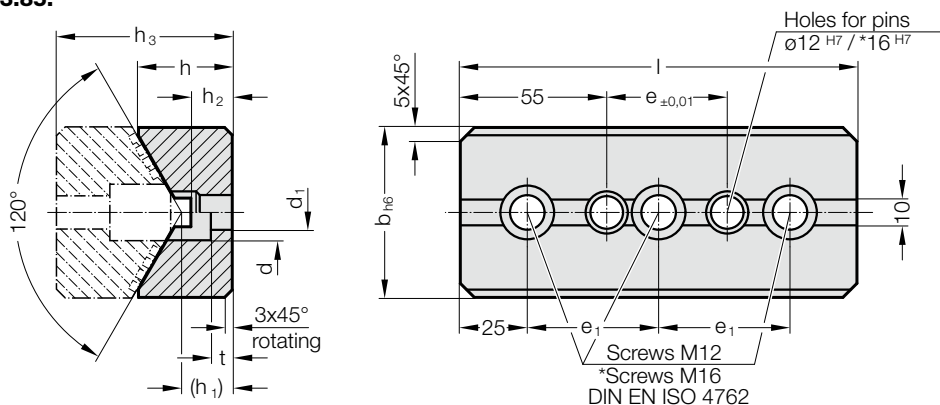
Note:

Screws and pins are not included.

* at 2963.84.125.



2963.85.



2963.85. Prismatic guide, Steel, VDI 3357

Order No	b	h	h ₁	h ₂	h ₃	l	e	e ₁	d	d ₁	t	Number of screw holes
2963.85.065.035.0150	65	35	(18)	17	65	150	45	100	20	13.5	8	2
2963.85.065.035.0200	65	35	(18)	17	65	200	95	150	20	13.5	8	2
2963.85.065.035.0250	65	35	(18)	17	65	250	145	100	20	13.5	8	3
2963.85.065.035.0300	65	35	(18)	17	65	300	195	125	20	13.5	8	3
2963.85.125.060.0150	125	60	(33)	32	85	150	45	100	26	17.5	15	2
2963.85.125.060.0200	125	60	(33)	32	85	200	95	150	26	17.5	15	2
2963.85.125.060.0250	125	60	(33)	32	85	250	145	100	26	17.5	15	3
2963.85.125.060.0300	125	60	(33)	32	85	300	195	125	26	17.5	15	3
2963.85.125.060.0150.1	125	60	(28)	27	85	150	45	100	26	17.5	15	2
2963.85.125.060.0200.1	125	60	(28)	27	85	200	95	150	26	17.5	15	2
2963.85.125.060.0250.1	125	60	(28)	27	85	250	145	100	26	17.5	15	3
2963.85.125.060.0300.1	125	60	(28)	27	85	300	195	125	26	17.5	15	3

Material:

Steel, sliding faces surface hardened

Note:

Screws and pins are not included.

* at 2963.85.125.

