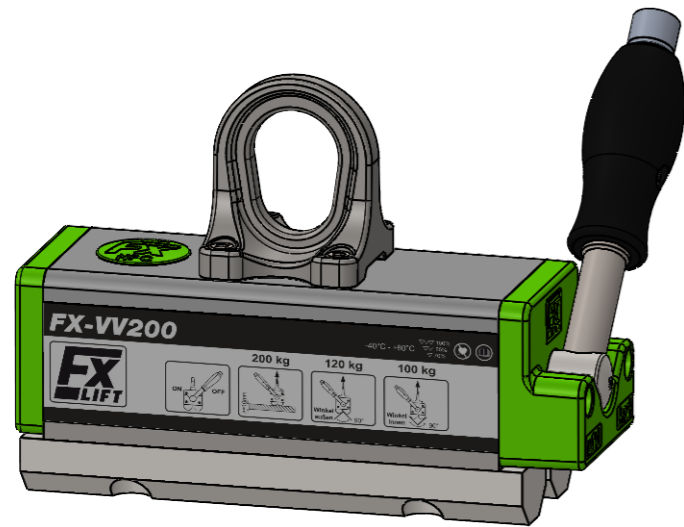
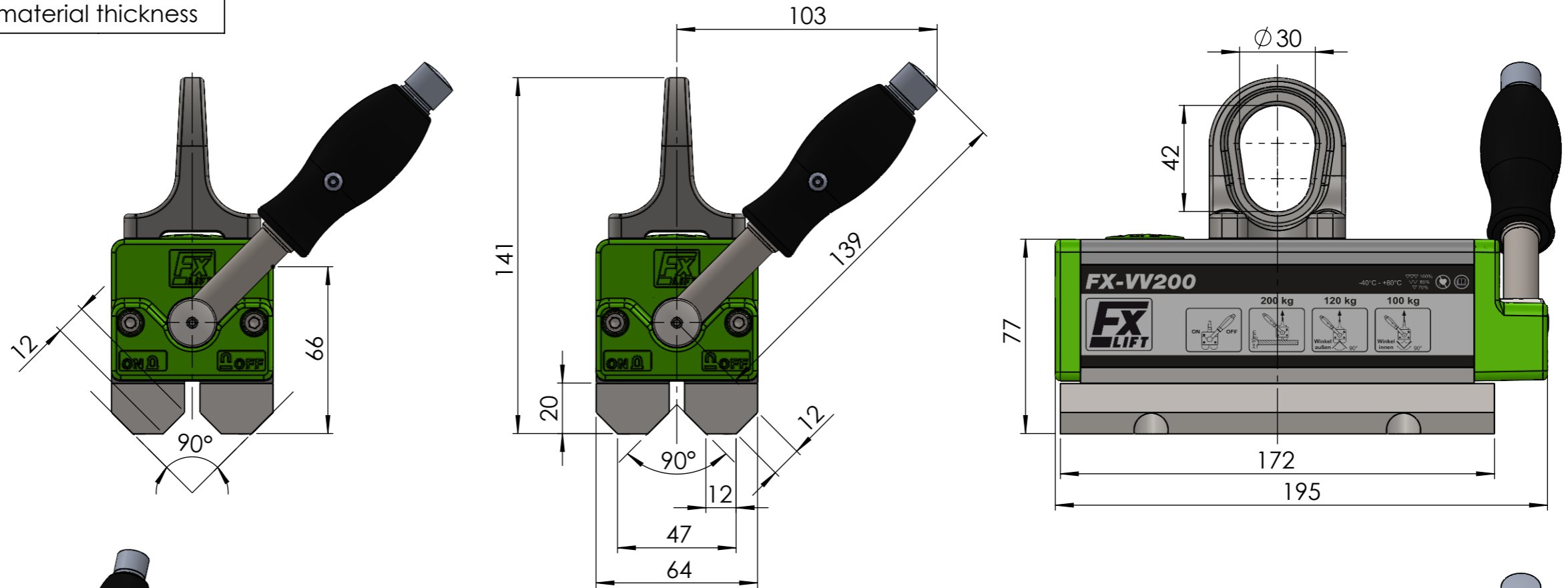
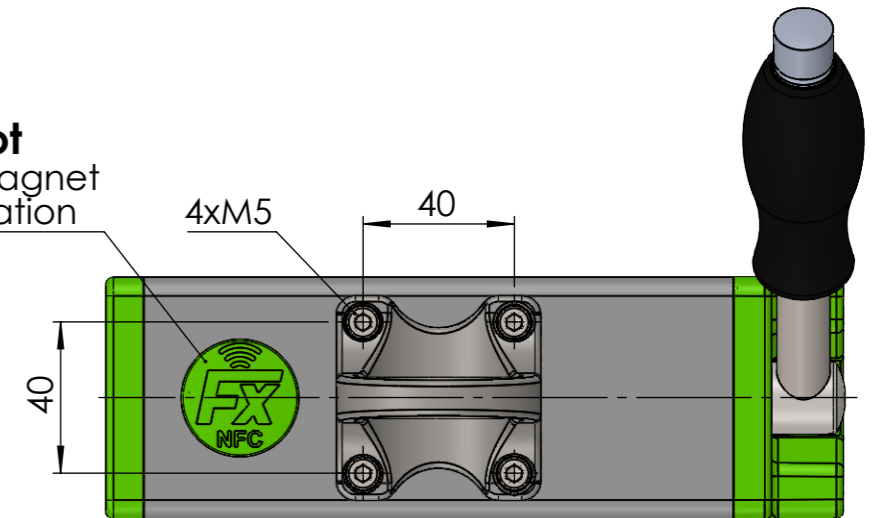


Working load according to EN 13155/WLL

Load capacity on flat material:	200kg
Load capacity 90° profile inside/below:	100kg
Load capacity 90° profile outside/top:	120kg
Max. load capacity > 10mm material thickness	



Green-Dot
NFC-Tag with magnet related information



FX-VV200	Air gap <0,1mm			Air gap 0,1-0,3mm			Air gap 0,3-0,5mm		
	Max. Load (kg)	Max. L (mm)	Max. B (mm)	Max. Load (kg)	Max. L (mm)	Max. B (mm)	Max. Load (kg)	Max. L (mm)	Max. B (mm)
>=4	70	1500	1250	50	1500	1250	35	1000	1250
>=6	110	2000	1250	75	1500	1250	60	1250	1250
>=8	175	2500	1250	120	2000	1250	90	2000	1250
>=10	200	2500	1250	140	2000	1250	110	2000	1250
90° inside	100	3000	-	80	2500	-	60	2000	-
90° outside	120	3000	-	100	2500	-	60	2000	-

Schutzvermerk nach DIN ISO 16016 beachten!
Nachdruck nur mit unserer Genehmigung!
All rights reserved according to DIN ISO 16016!
Reprint with our permission only!

	tolerance	-0,05 -0,2
	ISO 7168 M	
	date	name
drawn	21.04.2021	FEU
edit	31.01.2024	
appr.	31.01.2024	TW

material:	weight: 5.50
drawing no.:	0018070
description:	FX-VV200
part no.:	11010204
sheet	1 / 1
A3	
scale: 1:2	Status: Freigegeben

04	Green Dot	18.01.2024	TW
03	Tabelle	15.12.2023	TW
02	Bemaßung	12.07.2023	TW
rev.	change	date	name

