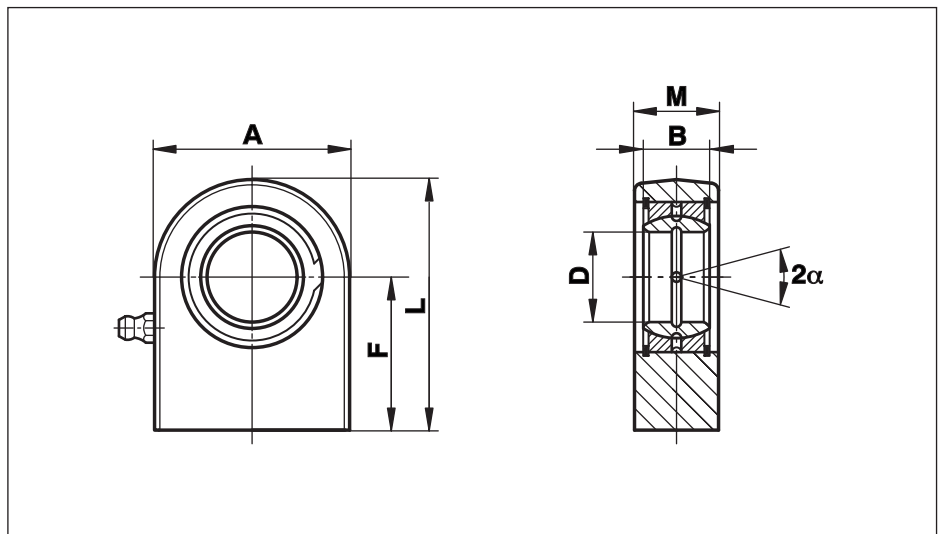


Hydraulic Rod Ends - Weld-On Base

Series FS...N

Rod Ends with rectangular surface for Weld-on. Spherical Plain Bearings, regreasable, fixed with snap rings

For Weld-On to cylinder bottoms



Size (D)	B	M	A	F	L	Static load C ₀ kN	Dynamic load C kN	Pivoting angle	Weight g
20	16	19	50	38	63,0	67,0	30	9	325
25	20	23	55	45	72,5	69,5	48	7	500
30	22	28	65	51	83,5	118,0	62	6	825
35	25	30	83	61	102,5	196,0	80	6	1475
40	28	35	100	69	119,0	300,0	100	7	2480
45	32	40	110	77	132,0	380,0	127	7	3450
50	35	40	123	88	149,5	440,0	156	6	4450
60	44	50	140	100	170,0	570,0	245	6	7130
70	49	55	164	115	197,0	695,0	315	6	10700
80	55	60	180	141	231,0	780,0	400	6	15100
90	60	65	226	150	263,0	1340,0	490	5	23400
100	70	70	250	170	295,0	1500,0	610	7	33100
110	70	80	295	185	332,5	2160,0	655	6	48500
120	85	90	360	210	390,0	3250,0	950	6	79500

Materials:

Housing: St 52-3, forged

Bearing: Steel on steel bearing GE...E, requiring lubrication

Greasing: fitted with hydraulic grease nipple to DIN 71412

On request: Housing: Stainless steel to 1.4401, Aisi 316, with maintenance free stainless steel Spherical Plain Bearing GE...EC-NIRO (see page 49)