

Thermocouple Surface sensor with ring shape Series GF-7029

PRODUCT FEATURES

- ✓ Thermocouples
acc. to DIN EN 60584
- ✓ High precision thermo cable
- ✓ High precision measuring system
- ✓ Single / double measuring system
- ✓ Electrical isolated or not isolated
- ✓ Pure silver interior design
- ✓ Durable
- ✓ Process and failsafe
- ✓ Temperature and long term stable
- ✓ ATEX version
- ✓ FDA / CE compliant version

TECHNICAL DETAILS

Thermo voltage

Fe-CuNi/J-L, NiCr-Ni/K, Pt-RhPt/S-R

Segment measures

Standard Ø16 x 5 mm

Leitungsabgang

Segment leicht abgewinkelt 5°

Material

Stainless steel or brass

Kink protection spring

Stainless steel

Process temp. at the measuring tip

Up to +450°C depending on version

Process connection

Plan or with borehole for M6 screw
Further versions on request

High – quality cable types

Thermocouple cables
All available versions

Connectivity

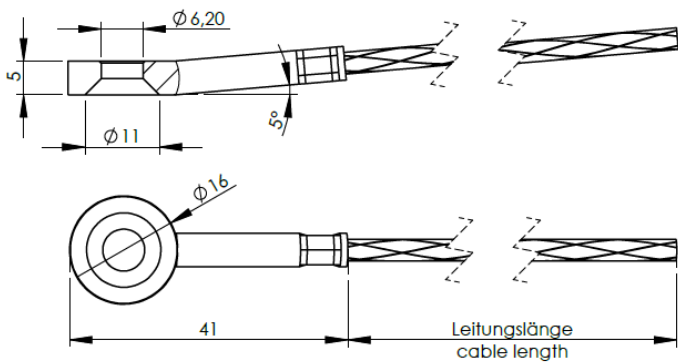
Free ends, plug, special

Special version

Customized, on request

Standard version									
	GF-7029								
Special version									
Standard version without mention									
Mantle-thermocouple version	/7050								
Number of measuring systems									
1 x		1							
2x		2							
Type of element									
Fe-CuNi Type J			FK-J						
Fe-CuNi Type L			FK-L						
Fe-CuNi Type K			NC						
Check element selection									
Electrical properties									
Grounded				e					
Isolated				i					
Diameter of the measuring tip									
Standard $\varnothing 16 \times 5$ mm					16				
Further versions on request									
Mounting borehole size									
Standard M6						M6			
M5						M5			
Further versions on request									
Cable length in mm									
Mention in mm							XXXX		
Cable type									
Glass fiber - Glass fiber - stainless steel braid								without mention	
Glass fiber - Glass fiber - stainless steel braid - PTFE								GL-GL-PVA-TE	
R - Glass fiber - R - Glass fiber - stainless steel braid								RGL-RGL-PVA	
Check cable types									
Connection									
Free Ends, 60 mm									A
Check ends									PRF
Thermo plug „S“ Standard / „M“ Mini									TSTXS
Round plug bayonet lock									CST3PB
Round plug screw lock									CST3PS
Check plug types									
Temperature measuring tip									
Mention in °C									400°C
Order code (example) → GF-7029 1 FK-J. e. 16 M6 3000. A 400°C									

MEASURES





DIGITAL DATA
2D, 3D and CAD

[to Download](#)