

Resistance thermometer Magnetic sensor Series GF-7130/MA

PRODUCT FEATURES

- ✓ Resistance thermometer acc. to DIN EN 60751
- ✓ High precision platinum sensor
- ✓ High precision measuring system
- ✓ Single / double measuring system
- ✓ Vibration resistant design
- ✓ High temperature resistance
- ✓ Durable
- ✓ Process and fail safe
- ✓ Temperature and long-term stable
- ✓ ATEX version
- ✓ FDA / CE compliant version

TECHNICAL DETAILS

Core values

PT50/PT100/PT500/PT1000
KTY/NTC/PTC

Segment measures

Standard Ø25 mm, spring pressured
length 10 mm

Cable output

Straight or angled 90°

Material

Stainless steel / magnet

Kink protection spring

Stainless steel,
length 70 mm in standard

Process temp. at the measuring tip

Up to +250°C depending on version

Process connection

Permanent magnet, measuring system
spring mounted

High – quality cable types

Connection cables
All available versions

Connectivity

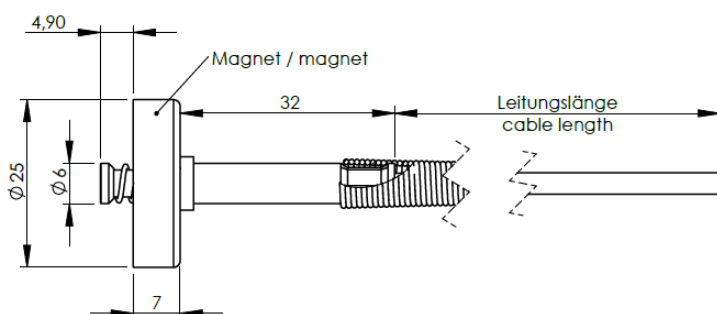
Free ends, plug, special

Special version

Customized, on request

Standard version									
	GF-7130								
Sensor version									
Cable outlet STRAIGHT		/MA							
Cable outlet ANGLED 90°		/MA/W							
Number of measuring systems									
1x			1						
2x			2						
Core values measuring system									
PT100 Class B			n/a						
PT100 Class A			K1A						
PT100 Class AA			K1AA						
PT50/PT500/KTY/NTC/PTC + Type			KTY						
Further versions on request									
Types of electrical circuits									
2-wire-circuit			n/a						
3-wire-circuit			3-L						
4-wire-circuit			4-L						
Further versions on request									
Diameter of the measuring tip									
Standard Ø25 mm						o.a.			
Further versions on request									
Cable length in mm									
Mention in mm						XXXX			
Cable type									
Glass fiber - Glass fiber - stainless steel braid								without mention	
Glass fiber - Glass fiber - stainless steel braid - PTFE								GL-GL-PVA-TE	
R - Glass fiber - R - Glass fiber - stainless steel braid								RGL-RGL-PVA	
Check cable types									
Connection									
Free Ends, 60 mm								A	
Check ends								PRF	
LEMO plug + size + number of poles								LST2PS	
Round plug screw lock + size + number of poles								DST3PS	
M 12 Round plug + number of poles								EST-M12-4P	
Check plug types									
Temperature measuring tip									
Mention in °C									400°C
Order code (example)	→	GF-7130	/MA	1	-.	3-L.	3000.	A	400°C

MEASURES



DIGITAL DATA
2D, 3D and CAD

[to Download](#)