

Resistance thermometer with bayonet lock and immersion sleeve Series GF-7140

PRODUCT FEATURES

- ✓ Resistance thermometer acc. to DIN EN 60751
- ✓ High precision platinum sensor
- ✓ High precision measuring system
- ✓ Single / double measuring system
- ✓ Vibration resistant design
- ✓ High temperature resistance
- ✓ Durable
- ✓ Process and fail safe
- ✓ Temperature and long-term stable
- ✓ ATEX version
- ✓ FDA / CE compliant version

TECHNICAL DETAILS

Core values

PT50/PT100/PT500/PT1000
KTY/NTC/PTC

Diameter

Immersion sleeve in standard
8,0 mm / 10,0 mm, Sensor in standard
-2,0 mm to immersion sleeve diameter

Design of the measuring tip/immersion sleeve

Plan, closed

Installation length

Min. 10 mm up to max. 2000 mm

Material

Sensor/ sleeve made of stainless steel

Process temp. at the measuring tip

Up to +600°C depending on version

Process connection

Using a matching immersion sleeve
Sensor with bayonet connection

High – quality cable types

Connection cables
All available versions

Connectivity

Free ends, plug, special

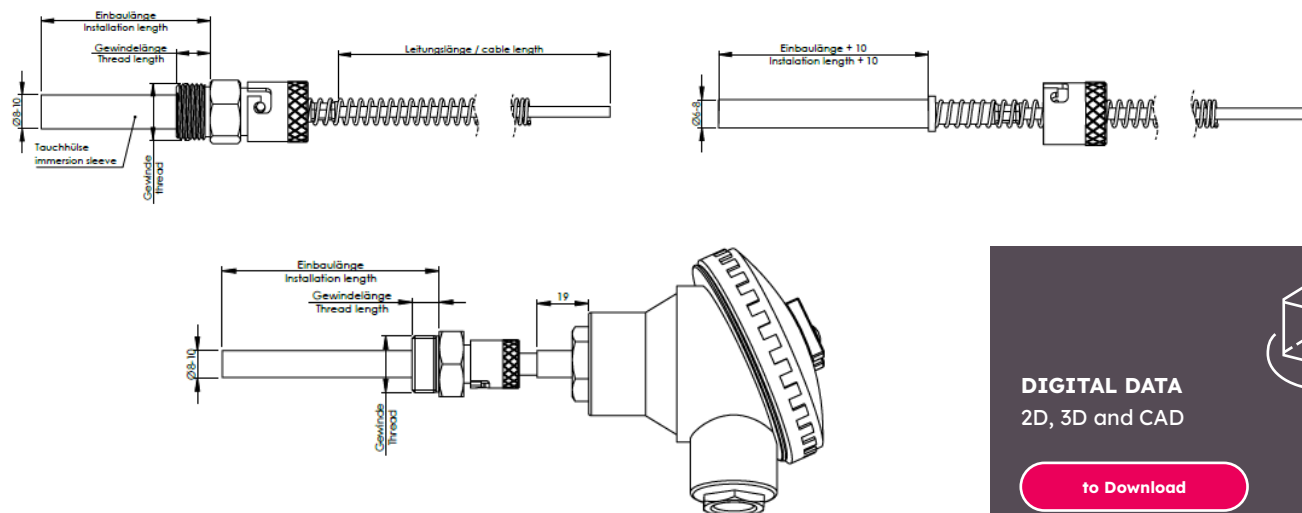
Special version

Customized, on request

Standard version		GF-7140							
Number of measuring systems									
1x		1							
2x		2							
Core values measuring system									
PT100 Class B		n/a							
PT100 Class A		K1A							
PT100 Class AA		K1AA							
PT50/PT500/KTY/NTC/PTC + Type		KTY							
Further versions on request									
Types of electrical circuits									
2-wire-circuit		n/a							
3-wire-circuit		3-L							
4-wire-circuit		4-L							
Further versions on request									
Diameter sensor/immersion sleeve									
6/8 mm		6/8							
8/10 mm		8/10							
Mention in mm									
Measuring tube form									
Angled 118°					W				
Plan					P				
Spherical					B				
Special version									
Installation length									
50 mm					50				
Mention in mm									
Thread size immersion sleeve									
Without immersion sleeve									
G1/8					45				
G3/8					44				
G1/2					82				
Further thread sizes on request									
Version with connection head									
Without connection head (version with cable)								..	
BK-connection head								BK	
KK-connection head								KK	
Further head sizes on request									
Cable length in mm									
mention in mm								XXXX	
Cable type									
Glass fiber - Glass fiber - stainless steel braid									without mention
Glass fiber - Glass fiber - stainless steel braid - PTFE									GL-GL-PVA-TE
R - Glass fiber - R - Glass fiber - stainless steel braid									RGL-RGL-PVA
Check cable types									
Connection									
Free Ends, 60 mm									A
Check ends									PRF
LEMO plug + size + number of poles									LST2PS
Round plug screw lock + size + number of poles									DST3PS
M 12 Round plug + number of poles									EST-M12-4P
Check plug types									
Temperature measuring tip									
Mention in °C									400°C

Order code (example) → GF-7140 1 .. 3-L. 8/10. P. 50. 82. KK. 400°C

MEASURES



DIGITAL DATA
2D, 3D and CAD

to Download