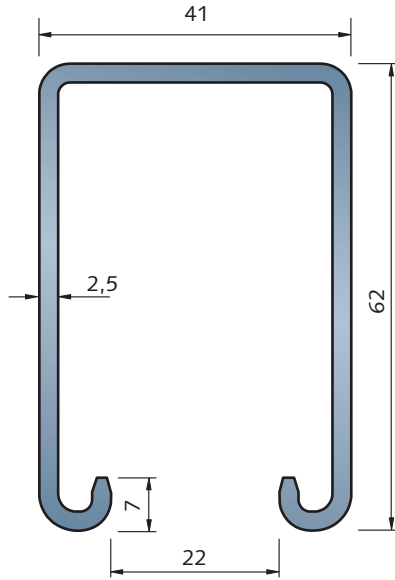


HALFEN FRAMING CHANNELS

Channel 41/62

HM resp. HL 41/62



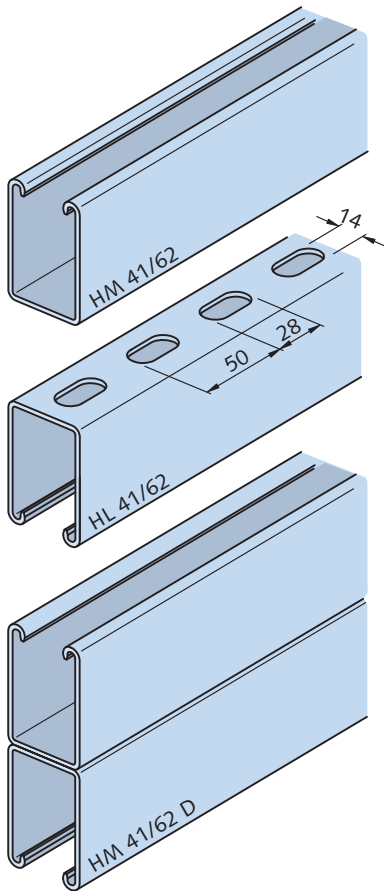
Nominal dimensions [mm]

Material, finish	Stock no.	Standard = ● To order = ○	Channel weight		Cross section		Moment of inertia		Section modulus		Max. perm. point loading		Bending capacity at span L									
			G [kg/m]	A [cm ²]	I _y [cm ⁴]	I _z [cm ⁴]	W _y [cm ³]	W _z [cm ³]	max F [kN]	≤L [cm]	1,00	2,00	3,00									
HM 41/62 0280. . .																						
wb	140-00002	●	3,42	4,36	20,18	13,10	5,92	6,35	5,6	92,0	5,2	2,6	1,2									
sv	140-00001	●																				
fv	140-00003	●																				
HL 41/62 0281. . .																						
wb	040-00001	●	3,14	3,99	17,27	13,03	5,47	6,31	5,6	81,0	4,5	2,2	1,0									
sv	040-00003	○																				
fv	040-00002	●																				
HM 41/62 D 0280. . .																						
wb	170-00001	○	6,84	8,72	108,11	26,21	17,45	12,69	5,6	269,0	15,1	7,5	5,0									
fv	170-00002	○																				

Length: 6000 mm Order example: HM 41/62 - fv - 6000 or Stock no. 0280.140-00003

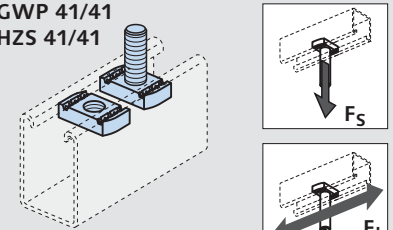
① see note ③ on p. 55

② Possible bulging, tilting and buckling must be prevented by appropriate measurements.



Locking plates, Halfen T-head bolts

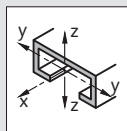
GWP 41/41
HZS 41/41



page 31

Other channel data, design properties

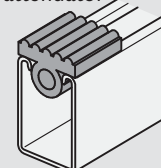
Channel data



pages 54 - 57

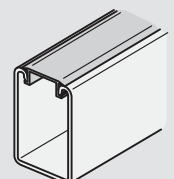
Channel-accessories

SDM 41/8
Sound attenuator



page 50

PA 41
Channel closer strip



page 46

Subject to alterations