

# Hand tools



**Hand riveters**  
small + compact

Lever-type riveters

Shear-type riveters

Assortments with fasteners

Ratchet for blind rivet nuts  
**up to M12**

With hydraulics

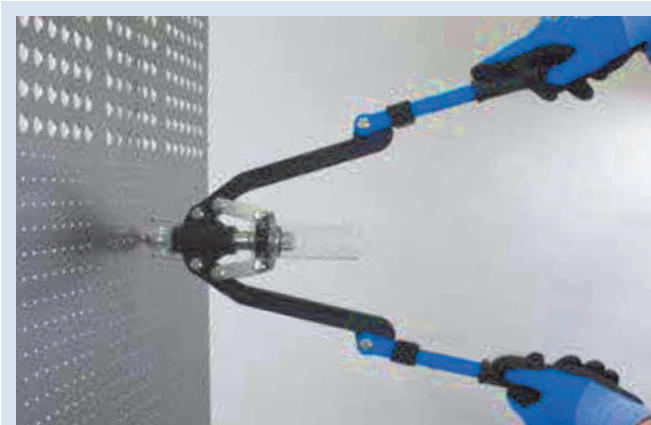
360° rotating heads

Fold-away arms

Manual riveting tools are indispensable even today for setting small quantities of blind rivets. Quickly at hand, they can immediately be used independently everywhere and anywhere. Our trade partners appreciate HONSEL manual riveting tools as reliable customer magnets – whether online or over the counter.

On the following pages you will find the right variant for every application – from sturdy **one-hand riveters** for the do-it-yourselfer or repair work through the universal **MULTI tools for all blind rivet types** right up to comfortable **special tools with integrated hydraulics** or for the **setting of blind rivet nuts up to M12!**





With stud collector and fold-away arms. **Multi 5**



With appropriate order quantities, we can prepare customised product boxes going beyond the standards shown here.



For riveting on floors. **BZ 58**

Ask us!



Compact and powerful – with hydraulics. **VNG 152**

Customised. Completely your company.



Impress your customers with your “own” tool, boost your sales and increase customer loyalty to your brand.

With a private label product you get your tools in your house colours, with your logo and your name, also with labels (if necessary) and an individual packaging design and operating manual.

We can provide professional support here. Experienced project planning and design to your specifications, sampling, long-term delivery plans and, on request, the handling of service and maintenance make work easier for you.

# BZ 2

Hand tool for blind rivets  
with opening spring



Good ergonomics, brilliant transformation

	2.4	3.0	3.2	4.0	4.8	5.0	6.0	6.4	8.0
Aluminium									
Steel									
Stainless steel									
Copper alloys									

0.56 kg Blister 8.00 mm incl. 4 nosepieces

Item no. 310002000000



## BZ 2A with stud collector



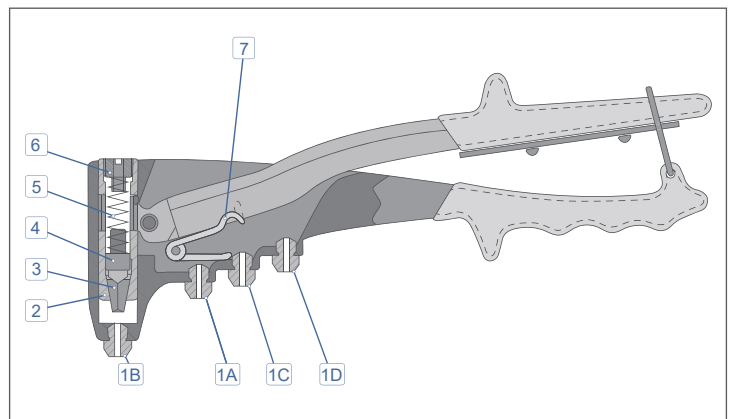
Item no. 310002000001

Stud collector set for retrofitting

Item no. 311002000031

## BZ 2 spare parts

No.	Item no.	Spare part
1A	311002000024	Nose piece 2,4 mm
1B	311002000123	Nose piece 3,0/3,2 mm
1C	311002000124	Nose piece 4,0 mm
1D	311002000125	Nose piece 4,8/5,0 mm
2	311002000040	Clamping sleeve
3	311002000132	Clamping jaws
4	311002000006	Guide sleeve
5	311002000007	Pressure spring
6	311100000023	Clamping screw
7	311002000101	Leg spring



You can also use our interactive ProductViewer on [www.honsel.de](http://www.honsel.de) to quickly search for the correct spare part.

100 x OPTO® multigrip blind rivets **ALUMINIUM/STEEL**  
Dome head 3.2 x 8.0  
Grip range: 0.8–4.8 mm  
Art. No.: 10600032080

50 x OPTO® multigrip blind rivets **ALUMINIUM/STEEL**  
Dome head 3.2 x 11.0  
Grip range: 4.0–7.9 mm  
Art. No.: 10600032110

50 x OPTO® multigrip blind rivets **ALUMINIUM/STEEL**  
Dome head 4.0 x 6.0  
Grip range: 0.5–3.0 mm  
Art. No.: 10600040060

50 x OPTO® multigrip blind rivets **ALUMINIUM/STEEL**  
Dome head 4.0 x 9.5  
Grip range: 1.2–6.4 mm  
Art. No.: 10600040095

25 x OPTO® multigrip blind rivets **ALUMINIUM/STEEL**  
Dome head 4.8 x 10.3  
Grip range: 1.5–6.0 mm  
Art. No.: 10600048103

25 x OPTO® multigrip blind rivets **ALUMINIUM/STEEL**  
Dome head 4.8 x 15.1  
Grip range: 4.8–11.1 mm  
Art. No.: 10600048151



## BZ 2 with OPTO® aluminium/steel assortment

Product box of sturdy plastic with BZ 2 blind riveter incl. jaw wrench, additional clamping jaws, 1 drill each 3.3 mm, 4.1 mm and 4.9 mm and 300 blind rivets:

Item no. 310002600000



**The classic tool – sturdy and reliable**



BZ 44



2.4	3.0	3.2	4.0	4.8	5.0	6.0	6.4	8.0
Aluminium								
	Steel							
	Stainless steel							
	Copper alloys							

0.63 kg    Blister    9.5 mm    incl. 4 nosepieces

Item no. 310044000000

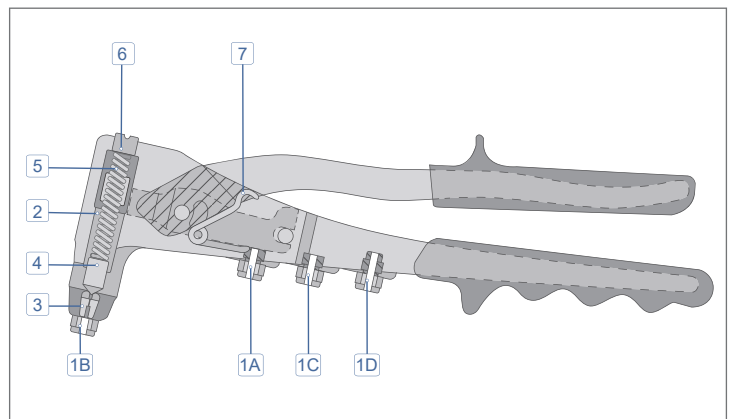


**With holding mechanism for the mandrel.**

The mandrel is held in the tool before and after the riveting process, so that the tool can be easily operated with one hand, while the other hand can hold the workpiece.

**BZ 44 spare parts**

No.	Item no.	Spare part
1A	311002000024	Nose piece 2,4 mm
1B	311002000123	Nose piece 3,0/3,2 mm
1C	311002000124	Nose piece 4,0 mm
1D	311002000125	Nose piece 4,8/5,0 mm
2	311044000003	Clamping sleeve
3	311002000132	Clamping jaws
4	311044000005	Guide sleeve
5	311044000006	Pressure spring
6	311044000007	Clamping screw
7	311044000102	Leg spring



You can also use our interactive ProductViewer on [www.honsel.de](http://www.honsel.de) to quickly search for the correct spare part.

100 x ALFO® standard blind rivets **ALUMINIUM/STEEL**  
Dome head 3.0 x 6.0  
Grip range: 1.5–4.0 mm  
Art. No.: 10700030060

50 x ALFO® standard blind rivets **ALUMINIUM/STEEL**  
Dome head 3.0 x 8.0  
Grip range: 3.0–6.0 mm  
Art. No.: 10700030080

50 x ALFO® standard blind rivets **ALUMINIUM/STEEL**  
Dome head 3.0 x 10.0  
Grip range: 5.0–7.5 mm  
Art. No.: 10700030100

50 x ALFO® standard blind rivets **ALUMINIUM/STEEL**  
Dome head 4.0 x 6.0  
Grip range: 1.0–3.5 mm  
Art. No.: 10700040060

50 x ALFO® standard blind rivets **ALUMINIUM/STEEL**  
Dome head 4.0 x 8.0  
Grip range: 3.0–5.5 mm  
Art. No.: 10700040080

50 x ALFO® standard blind rivets **ALUMINIUM/STEEL**  
Dome head 4.0 x 10.0  
Grip range: 5.0–7.0 mm  
Art. No.: 10700040100



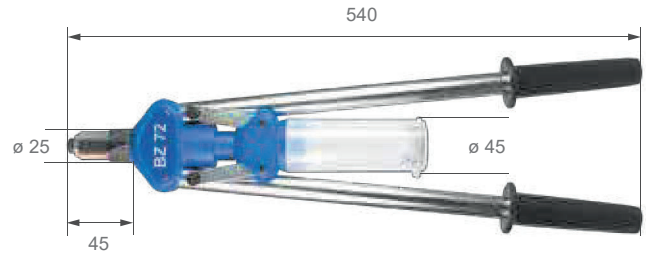
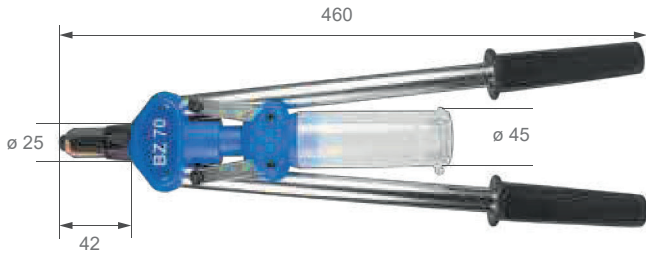
**BZ 44 with ALFO® aluminium/steel assortment**

Product box of sturdy plastic with BZ 44 blind riveter incl. jaw wrench, additional clamping jaws, 1 drill each 3.1 mm and 4.1 mm and 350 blind rivets:

Item no. 310044700000

# BZ 70 / 72

Lever tool for blind rivets



## BZ 70

2.4	3.0	3.2	4.0	4.8	5.0	6.0	6.4	8.0
Aluminium								
Steel								
Stainless steel								
Copper alloys								

- 1.5 kg
- Case
- 3.2 mm
- 14.5 mm
- incl. 4 nosepieces
- Special nosepieces on request.

Item no. 310070000000

## BZ 72

2.4	3.0	3.2	4.0	4.8	5.0	6.0	6.4	8.0
Aluminium								
Steel								
Stainless steel								
Copper alloys								

- 1.65 kg
- Case
- 4.0 mm
- 14.5 mm
- incl. 4 nosepieces
- Special nosepieces on request.

Item no. 310072000000



Very good ergonomics



Sturdy, durable construction



Safely packed



Nosepieces on mandrel container

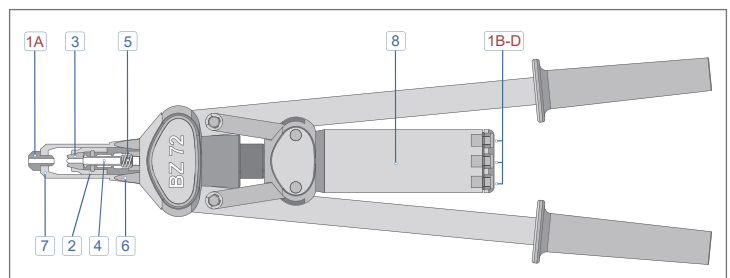
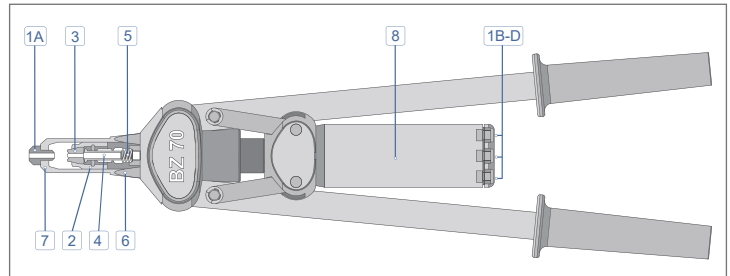


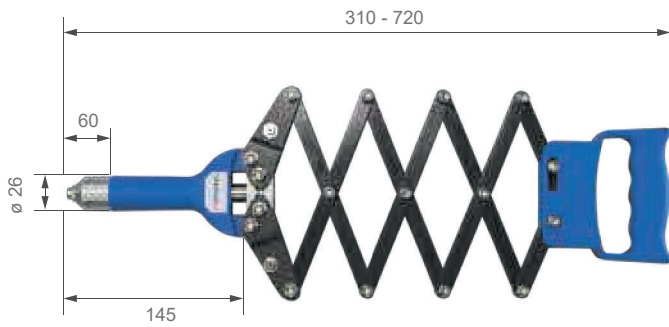
Reliable even with large diameters

## BZ 70/72 spare parts

No.	Item no.	Spare part
1A	311070000001	BZ 70 Nose piece 3,0/3,2 mm
1B/1A	311070000002	BZ 70/72 Nose piece 4,0 mm
1C/1B	311070000003	BZ 70/72 Nose piece 4,8/5,0 mm
1D/1C	311070000004	BZ 70/72 Nose piece 6,0 mm
1D	311072000001	BZ 72 Nose piece 6,4 / 8,0 mm
2	311070000008	Clamping sleeve
3	311070000006	Clamping jaws
4	311070000009	Guide sleeve
5	311070000010	Pressure spring
6	311070000011	Lock nut
7	311070000005	Front sleeve
8	311070000007	Mandrel collector

321120000511	Facade nose piece 5,0 mm, Kopf 11,0 mm
321120000514	Facade nose piece 5,0 mm, Kopf 14,0 mm
321120000516	Facade nose piece 5,0 mm, Kopf 16,0 mm





	2.4	3.0	3.2	4.0	4.8	5.0	6.0	6.4	8.0
Aluminium									
Steel									
Stainless steel									
Copper alloys									

- 2.0 kg
- Carton
- 3.8 mm
- 11 mm
- incl. 5 nosepieces
- Special nosepieces on request.

Item no. 310058000000



Replaceable nosepieces screwed into the tool.



Simple handling



Comfortable and durable

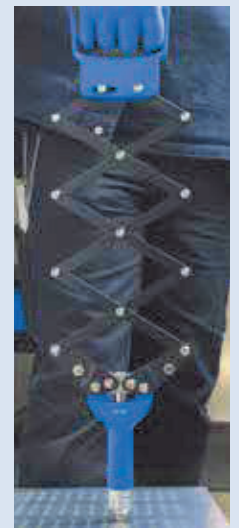


Very good power transmission



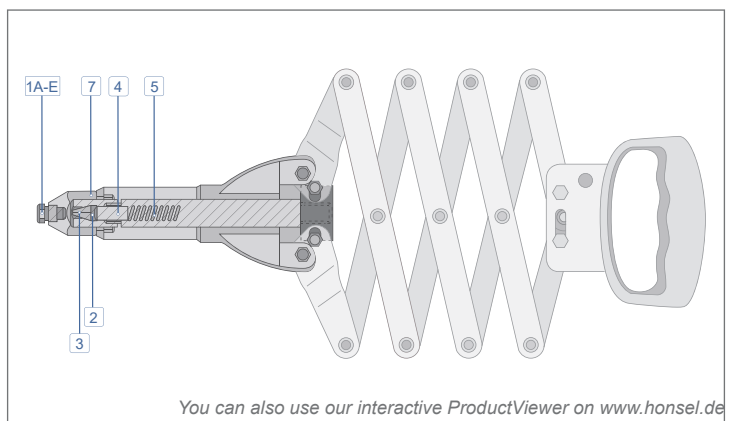
Outstandingly suited to the setting of blind rivets in floor areas.

Fast, safe and ergonomically convenient even with larger quantities.



### BZ 58 spare parts

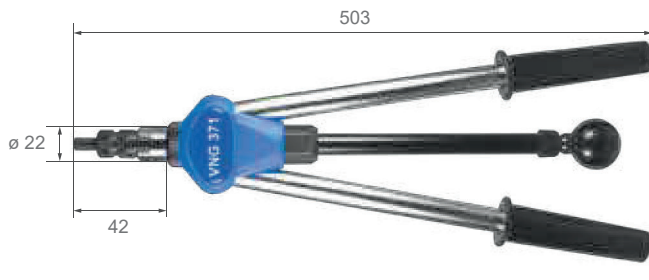
No.	Item no.	Spare part
1A	311100000123	Nose piece 3,0/3,2 mm
1B	311100000124	Nose piece 4,0 mm
1C	311100000125	Nose piece 4,8/5,0 mm
1D	311500000126	Nose piece 6,0 mm
1E	311500000127	Nose piece 6,4/8,0 mm
2	311500000004	Clamping sleeve
3	311500000005	Clamping jaws
4	311500000006	Guide sleeve
5	311500000007	Pressure spring
7	311058002006	Front sleeve



You can also use our interactive ProductViewer on [www.honsel.de](http://www.honsel.de) to quickly search for the correct spare part.

# VNG 371

Manual riveting tool for blind rivet nuts and bolts



M3	M4	M5	M6	M8	M10	M12
		Aluminium				
		Steel				
		Stainless steel				



		Steel				
--	--	-------	--	--	--	--



1.2 kg



14.5 mm



Plastic case



595 x 270 x 60 mm



1 conversation kit each for blind rivet nuts in M5, M6, M8, M10  
1 threaded sleeve each for RIFBOLT® blind rivet bolts M5, M6, M8

Item no. 310371000000

**Quick-change system for threaded mandrels**

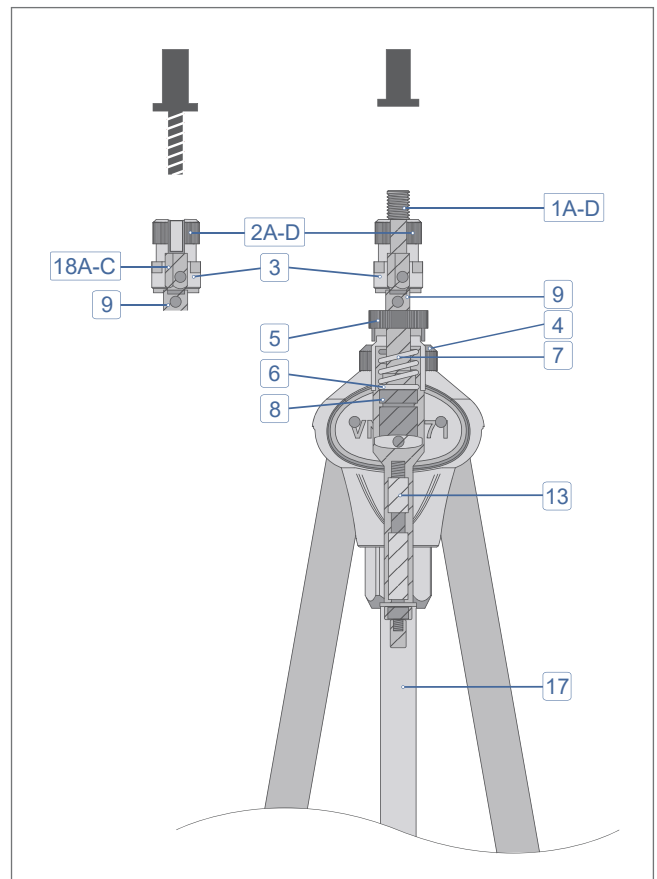


**Easy unscrewing thanks to threaded rod**



## VNG 371 spare parts

No.	Item no.	Spare part
1A	311371000005	Mandrel M5
1B	311371000006	Mandrel M6
1C	311371000007	Mandrel M8
1D	311371000008	Mandrel M10
2A	311371000001	Nose piece M5
2B	311371000002	Nose piece M6
2C	311371000003	Nose piece M8
2D	311371000004	Nose piece M10
3	311371000012	Lock nut nose piece
4	311371000013	Stroke adjusting cap
5	311371000015	Plastic knurled nut
6	311371000014	O-ring 19,0 x 1,5
7	311371000016	Pressure spring
8	311371000017	Housing tube
9	311371000025	Connection sleeve
13	311371000030	Feed rod
17	311371000020	Stranded rod
18A	311371000009	Threaded sleeve M5 RIFBOLT
18B	311371000010	Threaded sleeve M6 RIFBOLT
18C	311371000011	Threaded sleeve M8 RIFBOLT
311371000040		Mandrel M6 Folding blind rivet nuts
311371000041		Mandrel M8 Folding blind rivet nuts



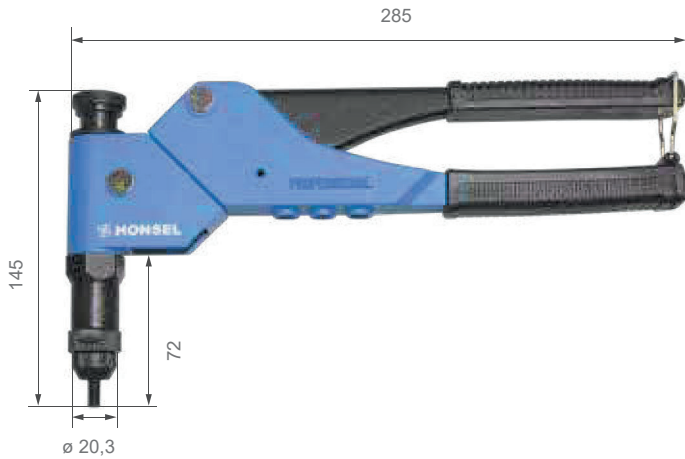
You can also use our interactive ProductViewer on [www.honsel.de](http://www.honsel.de) to quickly search for the correct spare part.

VNG 371



# VNG 255

Manual riveting tool for blind rivet nuts and bolts including products



	M3	M4	M5	M6	M8	M10	M12
optional		Aluminium					
optional		Steel					
optional		Stainless steel					



	Steel						
--	-------	--	--	--	--	--	--

0.9 kg    
 325 x 250 x 50 mm    
 Plastic case

Item no. 310255000000

The best-seller.

Sold 10,000 times



360° infinitely rotating head



Practically unlimited working positions



Universal and flexible in use!



VNG 255

25 x blind rivet nuts  
UNIVERSAL STEEL M4  
Small countersunk head  
**Grip range:**  
0.5–3.0 mm  
**Art. No.:** 10870400000

25 x blind rivet nuts  
UNIVERSAL STEEL M5  
Small countersunk head  
**Grip range:**  
0.5–3.0 mm  
**Art. No.:** 10870500000

50 x blind rivet nuts  
UNIVERSAL STEEL M6  
Small countersunk head  
**Grip range:**  
0.5–3.0 mm  
**Art. No.:** 10870600000

25 x blind rivet bolts  
RIFBOLT® STEEL M4  
Dome head  
**Grip range:**  
0.3–2.0 mm  
**Art. No.:** 10880042010

25 x blind rivet bolts  
RIFBOLT® STEEL M5 dome head  
**Grip range:**  
0.5–2.0 mm  
**Art. No.:** 10880052010

150 blind rivet nuts and studs



### VNG 255 in assortment box

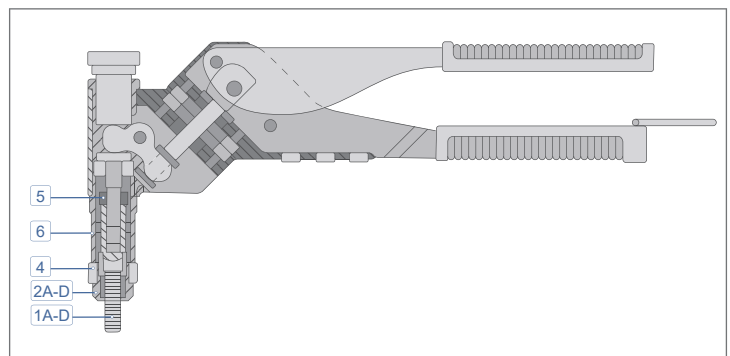
Product box of sturdy plastic with VNG 255 for blind rivet nuts and blind rivet bolts, incl. 1x conversion kit each for M4/M5/M6 blind rivet nuts, 1x threaded sleeve each for M4/M5 RIFBOLT® blind rivet bolts, 1x open-jaw wrench each WAF 22/WAF 24 and WAF 6 Allen key.

## VNG 255 spare parts

No.	Item no.	Spare part
1A	311800000030	Mandrel M3
1B	311800000040	Mandrel M4
1C	311800000050	Mandrel M5
1D	311800000060	Mandrel M6
2A	311800000203	Nose piece M3
2B	311800000204	Nose piece M4
2C	311800000205	Nose piece M5
2D	311800000206	Nose piece M6
4	321801000074	Lock nut M18x1
5	321801000075	Lock nut M8x1
6	311255000020	Front sleeve

321800001004 Threaded sleeve M4 RIFBOLT

321800001005 Threaded sleeve M5 RIFBOLT

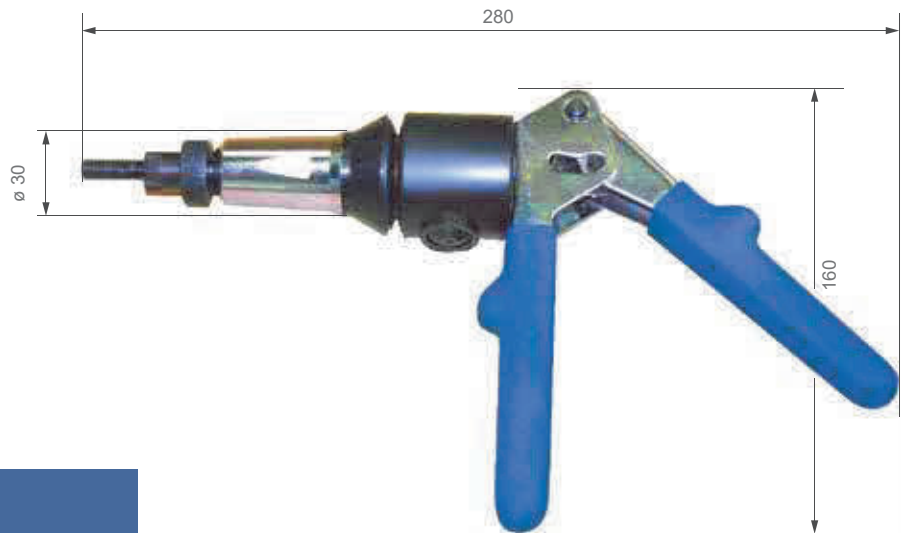


You can also use our interactive ProductViewer on [www.honsel.de](http://www.honsel.de) to quickly search for the correct spare part.



# VNG 152

Manual riveting tool for blind rivet nuts and bolts with hydraulics



With hydraulics!



Working without great effort



	M3	M4	M5	M6	M8	M10	M12
Aluminium							
Steel							
Stainless steel							



Steel							
-------	--	--	--	--	--	--	--



0.6 kg



290 x 195 x 54 mm



Plastic case

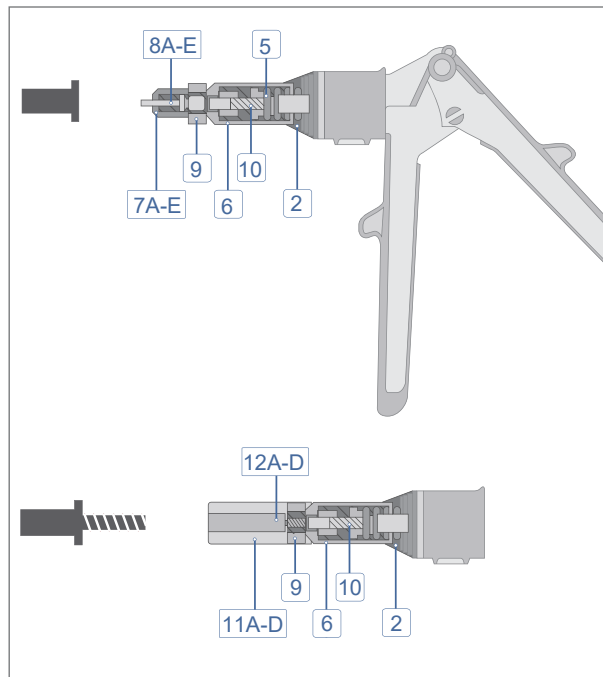


1 conversion kit each for M3, M4, M5, M6 and M8 for blind rivet nuts, M4, M5, M6 and M8 for RIFBOLT® blind rivet bolts

Item no. 310152000000

## VNG 152 spare parts

No.	Item no.	Spare part
2	311151000009	Housing cover
5	311151000010	Pressure spring
6	311151000001	Front sleeve
7A	311151002003	Nose piece M3 Blind rivet nuts
7B	311151002004	Nose piece M4 Blind rivet nuts
7C	311151002005	Nose piece M5 Blind rivet nuts
7D	311151002006	Nose piece M6 Blind rivet nuts
7E	311151002008	Nose piece M8 Blind rivet nuts
8A	311151003003	Mandrel M3 Blind rivet nuts
8B	311151003004	Mandrel M4 Blind rivet nuts
8C	311151003005	Mandrel M5 Blind rivet nuts
8D	311151003006	Mandrel M6 Blind rivet nuts
8E	311151003008	Mandrel M8 Blind rivet nuts
9	311151000008	Adapter for nose piece
10	311151000007	Adapter for mandrel
11A	311151007004	Nose piece M4 RIFBOLTS
11B	311151007005	Nose piece M5 RIFBOLTS
11C	311151007006	Nose piece M6 RIFBOLTS
11D	311151007008	Nose piece M8 RIFBOLTS
12A	311151004004	Threaded sleeve M4 RIFBOLTS
12B	311151004005	Threaded sleeve M5 RIFBOLTS
12C	311151004006	Threaded sleeve M6 RIFBOLTS
12D	311151004008	Threaded sleeve M8 RIFBOLTS



You can also use our interactive ProductViewer on [www.honsel.de](http://www.honsel.de) to quickly search for the correct spare part.



Smooth

Blind rivet nuts up to **M12**

ratchet mechanism



VNG 612N

M3	M4	M5	M6	M8	M10	M12
	optional	Aluminium				
	optional	Steel				
	optional	Stainless steel				

		Steel				
--	--	-------	--	--	--	--

1.1 kg 325 x 250 x 50 mm

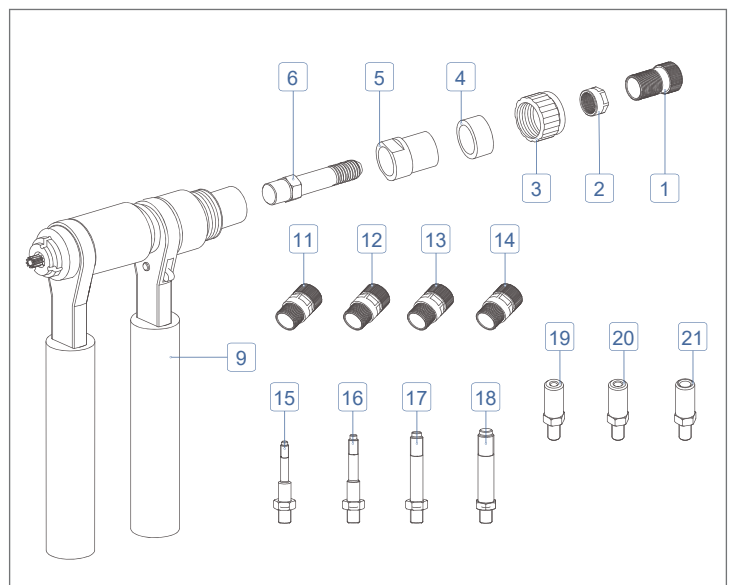
Case in aluminium look

5 conversion kits for M5–M12 blind rivet nuts,  
1 conversion kit for RIFBOLT® M5–M8 blind rivet bolts

Item no. 310612000000

## VNG 612N spare parts

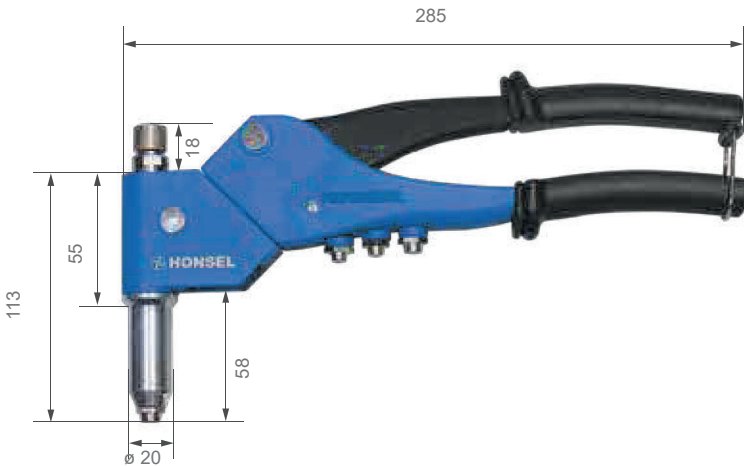
No.	Item no.	Spare part
2	311612000021-0-2	Lock nut
3	311612000010-0-2	Knurled nut
4	311612000018-0-2	Rubber ring
5	311612000020-0-2	Nosepiece holder
9	311612000016-0-2	Black handle
11	311612000305-0-2	Nose piece M5
12	311612000306-0-2	Nose piece M6
13	311612000308-0-2	Nose piece M8
14	311612000310-0-2	Nose piece M10
1	311612000312-0-2	Nose piece M12
15	311612000050-0-2	Mandrel M5
16	311612000060-0-2	Mandrel M6
17	311612000080-0-2	Mandrel M8
18	311612000100-0-2	Mandrel M10
6	311612000120-0-2	Mandrel M12
19	311612000205-0-2	Threaded sleeve M5
20	311612000206-0-2	Threaded sleeve M6
21	311612000210-0-2	Threaded sleeve M8



You can also use our interactive ProductViewer on [www.honsel.de](http://www.honsel.de) to quickly search for the correct spare part.

# MULTI 1

Manual riveting tool for blind rivets, blind rivet nuts and blind rivet bolts  
360° rotating head



Complete accessories for all blind rivet products



Thanks to the infinite 360° rotation of the head, practically any setting position can be easily reached.



MULTI 1



	2.4	3.0	3.2	4.0	4.8	5.0	6.0
Aluminium	[Red bar]						
Steel	[Blue bar]						
Stainless steel	[Green bar]						
Copper alloys	[Orange bar]						

0.56 kg    360 x 185 x 50 mm    Plastic case

- 1x each nosepiece 2.4 mm; 3.0/3.2 mm; 4.0 mm; 4.8/5.0 mm for blind rivets
- 1x conversion kit each for M3, M4, M5 and M6 blind rivet nuts
- 1x threaded sleeve each for M4 and M5 for RIFBOLT® blind rivet bolts
- 1x open-jaw wrench each for WAF 15/19, WAF 21/17 and WAF 5/8



	M3	M4	M5	M6	M8	M10	M12
Aluminium	[Red bar]						
Steel	[Blue bar]						

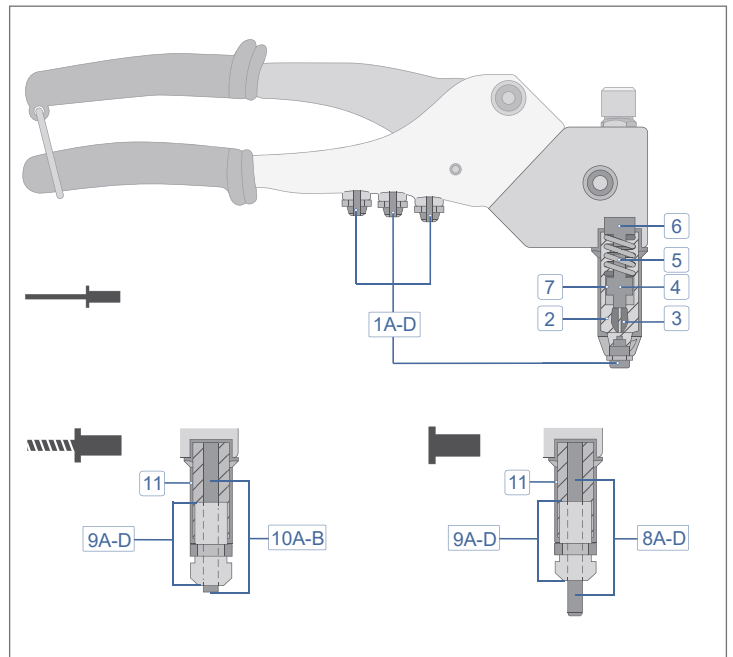


Steel	[Blue bar]						
-------	------------	--	--	--	--	--	--

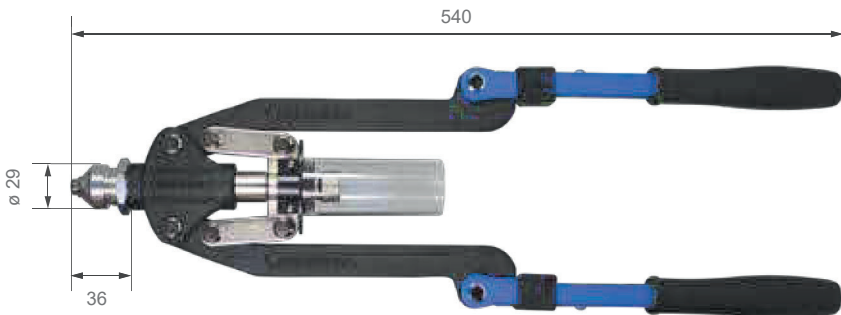
Art.No. 31010000000

## MULTI 1 spare parts

No.	Item no.	Spare part
1A	31110000240	Nose piece 2,4 mm
1B	31110000123	Nose piece 3,0/3,2 mm
1C	31110000124	Nose piece 4,0 mm
1D	31110000125	Nose piece 4,8/5,0 mm
4	31110000025	Clamping sleeve
3	31110000026	Clamping jaws
4	31110000021	Guide sleeve
5	31110000022	Pressure spring
6	31110000023	Clamping screw
7	31110000019	Front sleeve blind rivet
8A	311100003003	Mandrel M3
8B	311100003004	Mandrel M4
8C	311100003005	Mandrel M5
8D	311100003006	Mandrel M6
9A	311100002003	Nose piece M3
9B	311100002004	Nose piece M4
9C	311100002005	Nose piece M5
9D	311100002006	Nose piece M6
10A	311100004004	Threaded sleeve RIFBOLT M4
10B	311100004005	Threaded sleeve RIFBOLT M5
11	311100000119	Front sleeve blind rivet nut



You can also use our interactive ProductViewer on [www.honsel.de](http://www.honsel.de) to quickly search for the correct spare part.



**Complete accessories for all blind rivet products**



**Compact transport form**



**Assortment with 225 blind rivets, 825 blind rivet nuts, 375 blind rivet bolts available**



	3.0	3.2	4.0	4.8	5.0	6.0	6.4
Aluminium							
Steel							
Stainless steel							
Copper alloys							

1.9 kg    385 x 240 x 55 mm    Plastic case

- 1x each nosepiece 3.0/3.2 mm; 4.0 mm; 4.8/5.0 mm; 6.0 mm; 6.4 mm for blind rivets
- 1x conversion kit each for M4 M5, M6, M8 and M10 blind rivet nuts
- 1x threaded sleeve each for M4, M5, M6 and M8 for RIFBOLT® blind rivet bolts



	M3	M4	M5	M6	M8	M10	M12
Aluminium							
Steel							



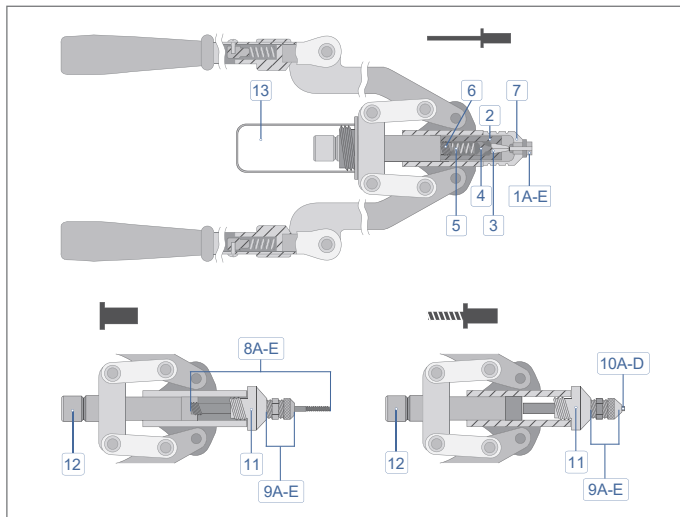
Steel							
-------	--	--	--	--	--	--	--

Art.No. 310500000000

You can also use our interactive ProductViewer on [www.honsel.de](http://www.honsel.de) to quickly search for the correct spare part.

**MULTI 5 spare parts**

No.	Item no.	Spare part
1A	311100000123	Nose piece 3,0/3,2 mm
1B	311100000124	Nose piece 4,0 mm
1C	311100000125	Nose piece 4,8/5,0 mm
1D	311500000126	Nose piece 6,0 mm
1E	311500000127	Nose piece 6,4/8,0 mm
2	311500000004	Clamping sleeve
3	311500000005	Clamping jaws
4	311500000006	Guide sleeve
5	311500000007	Pressure spring
6	311500000008	Clamping screw
7	311500000003	Front sleeve blind rivet
8A	311100003004	Mandrel M4
8B	311100003005	Mandrel M5
8C	311100003006	Mandrel M6
8D	311500003008	Mandrel M8
8E	311500003010	Mandrel M10
9A	311100002004	Nose piece M4
9B	311100002005	Nose piece M5
9C	311100002006	Nose piece M6
9D	311500002008	Nose piece M8
9E	311500002010	Nose piece M10



No.	Item no.	Spare part
10A	311100004004	Threaded sleeve M4 RIFBOLT
10B	311100004005	Threaded sleeve M5 RIFBOLT
10C	311100004006	Threaded sleeve M6 RIFBOLT
10D	311500004008	Threaded sleeve M8 RIFBOLT
11	311500000025	Front sleeve blind rivet nut
12	311500000009	Feed rod
13	311500000010	Mandrel collector