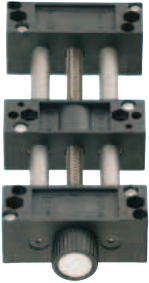


SHTP – Economical – Solid plastic

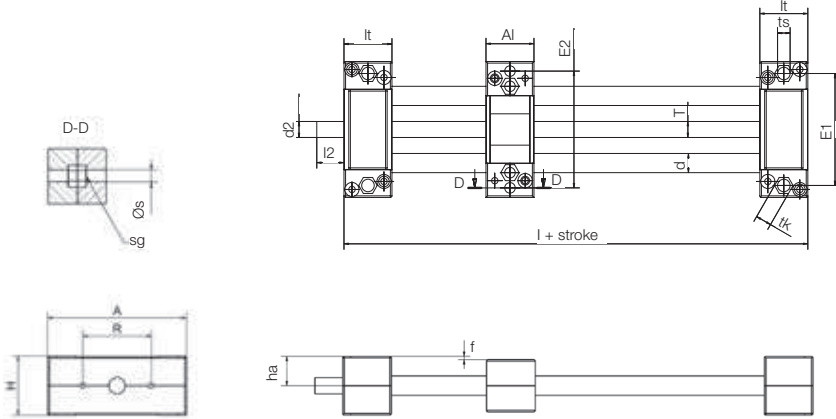


- Solid polymer design
  - Low weight
  - Cost-effective
  - Corrosion-resistant
  - Available accessories
- ▶ page 1203



Order key

SHTP-01-12-AWM



Technical Data

Part number	Max. stroke [mm]	Aluminum shaft		More Information
		Weight [kg]	Additional [kg] (per 100 mm)	
SHTP-01-12	500	0.35	0.11	Liners and trapezoidal lead screw nut made of iglidur® J
SHTP-02-12	500	0.35	0.11	Bearing and nut integrated into the carriage

Dimensions [mm]

Part number	A	Al	H	E1	E2	I	R	f	lt	tk	ts
SHTP-01-12	85	30	36	70	73	90	42	2	±0.1	±0.15	6.0
SHTP-02-12	85	30	36	70	73	90	42	2	±0.1	±0.15	6.0

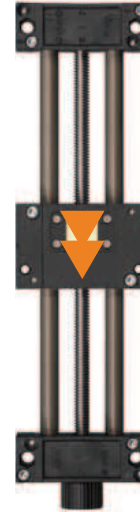
Part number	s	sg	d	T	l2	d2*	ha	Max. static load-bearing capacity axial radial [N] [N]
SHTP-01-12	6.3	M6	12	TR 10 x 2	17	TR 10 x 2	18	200 400
SHTP-02-12	6.3	M6	12	TR 10 x 2	17	TR 10 x 2	18	200 800

\* Standard versions supplied with lead screw end unmachined

delivery time 2-3 days

prices price list online  
www.igus.eu/eu/SHTP

SHTP-FF – Fast Forward



SHTP linear tables with quick release mechanism offer a combination of accurate positioning and quick manual adjustment.

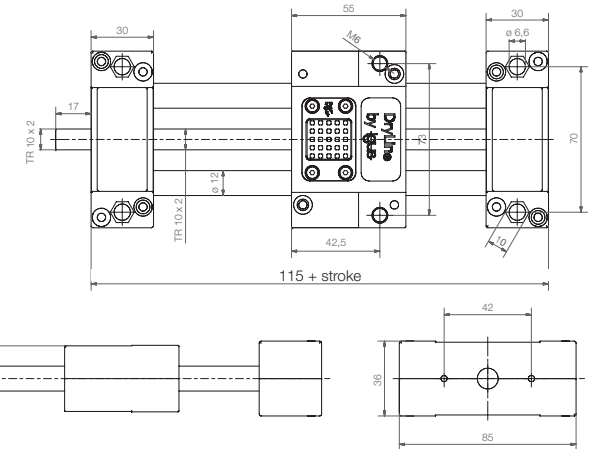
- Light solid polymer model
- For fast format adjustments
- Including self-locking brake
- Variable stroke length
- Only recommended for horizontal applications
- Max. stat. axial load 200 N
- Max. dynamic. axial load 50 N
- Available accessories

▶ page 1203



Order key

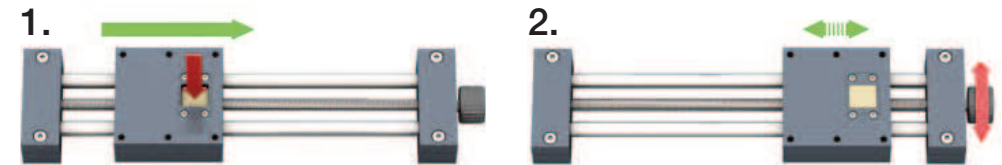
SHTP-01-12-AWM-FF



Technical Data

Part number	Max. length of stroke [mm]	Weight [kg]	Additional Weight (per 100 mm)
SHTP-01-12-AWM-FF*	500	0.35	0.11

\* Liners and trapezoidal lead screw nut made of iglidur® J



Press > disengage > move manually > click into place > fine-tune

delivery time 8-14 days

prices price list online  
www.igus.eu/eu/SHTP-FF