



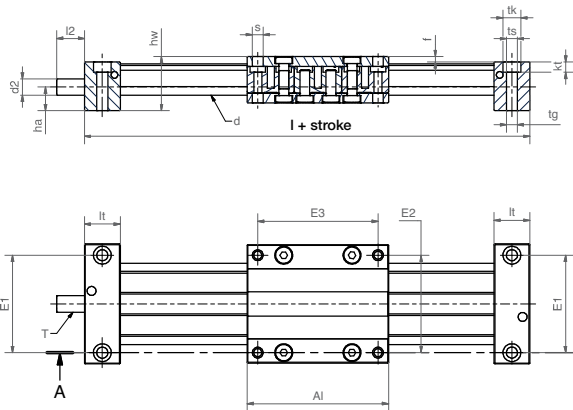
The drylin® SLW Protect uses the robust drylin® W profile as the perfect protective layer. The lead screw nut and lead screw are positioned below the W linear guide.

- drylin® W profile rail as a protective mechanism
- Available with pitches 10x2, 10x12, 10x50
- Low profile design
- 3 carriage lengths



Order key
complete ▶ Page 1094

SLW-BB-PT-1040



▶ Page 1137

Technical data and dimensions [mm]

Part No.	Max. stroke length [mm]	Weight [kg]	Additional (per 100 mm) [kg]	Max. static load capacity		End block material
				axial [N]	radial ⁹⁷⁾ [N]	
SLW-PT-1040	750	0.75	0.20	700	2,000	Aluminium
SLW-BB-PT-1040	750	1.10	0.20	500	2,000	Aluminium

Part No.	A	A ₁	H	E ₁ /E ₂	E ₃	l	h _w	f	l _t	t _k	t _s	t _g
	-0.3	-0.3		±0.15	±0.15				±0.1			
SLW-PT-1040	74	87	29	60	74	131	33.25	3.25	22	11	6.8	M8
SLW-BB-PT-1040	74	87	29	60	74	147	33.25	3.25	30	11	6.8	M8

Part No.	kt	d	T	l ₂	d ₂	d ₂ ⁹⁸⁾	h _a
	±0.1						
SLW-PT-1040	6.4	10	Tr10x2	17	Tr10x2	6 h9	14.50
SLW-BB-PT-1040	6.4	10	Tr10x2	17	Tr10x2	6 h9	14.50

⁹⁷⁾ Depends on load and rotation speed ⁹⁸⁾ Thread/remaining thread visible

1088 Lifetime calculation, configuration and more ▶ www.igus.eu/drylinSLW



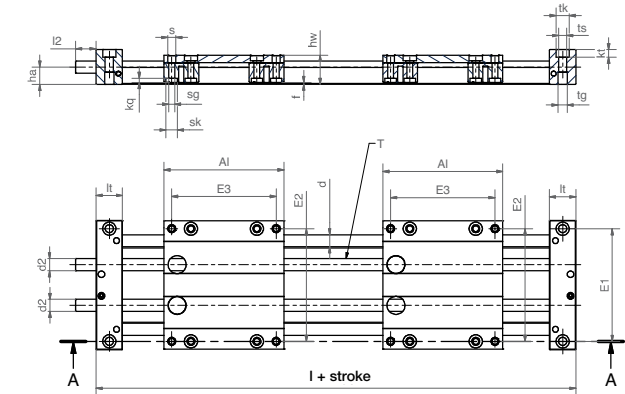
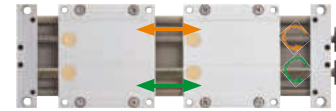
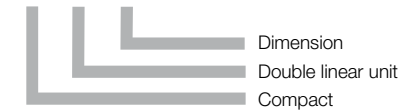
The SLWT-1080 double linear unit offers a high degree of flexibility for format adjustments. With its slim and compact design 2 linear units are rolled into one. The two carriages can be controlled independently.

- Different lead screw pitches can be applied
- Separate manual adjustment of carriages
- Lubrication free linear guide drylin® W
- Clearance adjustment (optional)



Order key
complete ▶ Page 1094

SLWT-1080



Technical data and dimensions [mm]

Part No.	Max. stroke length [mm]	Weight (per 100 mm) [kg]	Additional [kg]	Max. static load capacity		End block material
				axial [N]	radial [N]	
SLWT-1080	750	1.6	0.25	700	2,000	Aluminium

Part No.	A	A ₁	H	E ₁	E ₂	E ₃	l	h _w	f	l _t	t _k	t _s
	-0.3	-0.3		±0.15	±0.15	±0.15			±0.1			
SLWT-1080	108	100	29	94	94	87	244	24	1.5	22	11	6.8

Part No.	t _g	kt	s _k	s	s _g	k _q	d	T	l ₂	d ₂	d ₂	h _a
	±0.1											
	Standard Alternative											
SLWT-1080	M8	6.4	9.5	6.6	M6	4.4	10	Tr10x2 ⁹²⁾	17	Tr10x2	6 h9	14.50

⁹²⁾ Lead screw end unmachined

3D-CAD files, prices and delivery time ▶ www.igus.eu/drylinSLW

1089