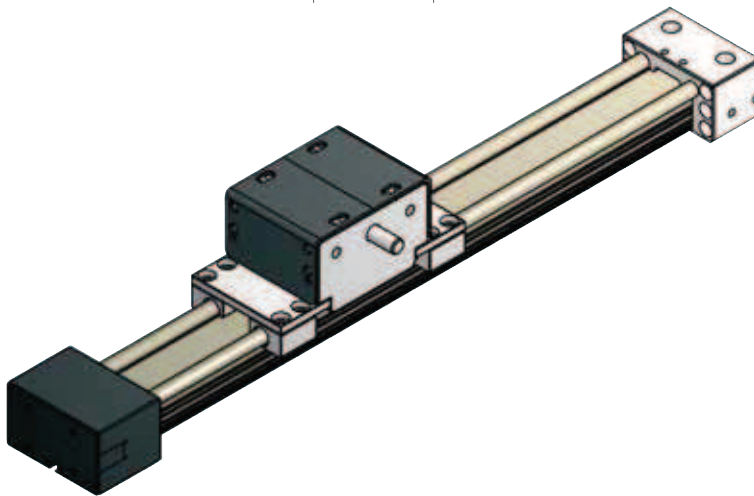
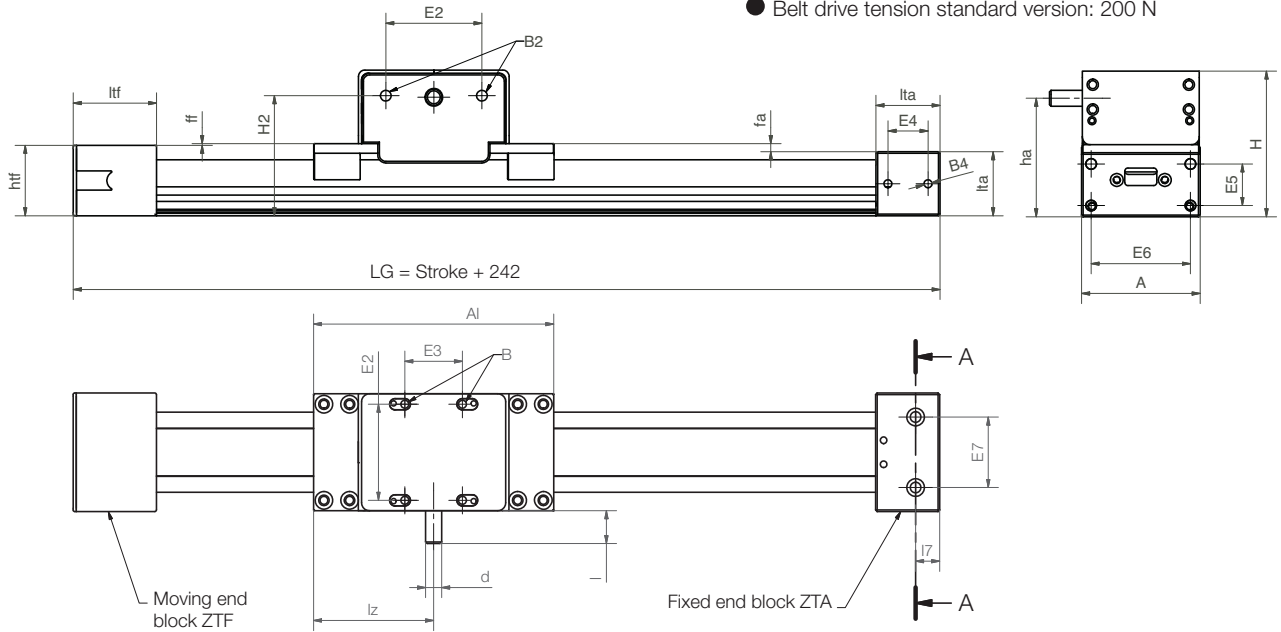
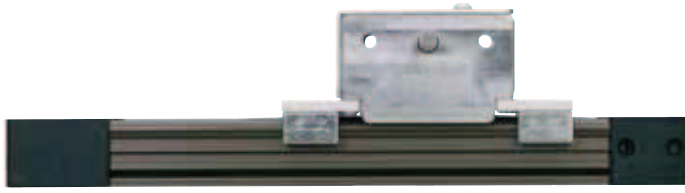




DryLin® ZAW | Extension Arm Drive

Special properties

- Centre drive unit is fixed, only the profile with the applied load is moving
- Profile made from hard anodised aluminium
- Absolutely lubricant-free and corrosion resistant
- Low weight
- High accelerations
- Belt drive tension standard version: 200 N



Dimensions [mm]

Part No.	A	H	LG	AI	ha	d	l	lz	E2	E3
	-0,3		Stroke	±0,3	±0,1	h9	+1		±0,15	±0,15
	[mm]	[mm]	[mm]	[mm]	[mm]	[mm]	[mm]	[mm]	[mm]	[mm]
ZAW-1040-02-R/L-LG	74	91	242	150	74	10	20	75	60	60

Part No.	B	B2	htf	ltf	ff	fa	lta	E4	B4	E5	E6
	-0,3		Stroke	±0,3	±0,1	h9	+1		±0,15	±0,15	
			[mm]	[mm]	[mm]	[mm]	[mm]	[mm]		[mm]	[mm]
ZAW-1040-02-R/L-LG	M6	M8	44	52	2	5	40	25	M6	26	62

Part No.	E7	l7	tg	tk	ts	kt
ZAW-1040-02-R/L-LG	44	15	M8	11	6,6	8

mm

DryLin® ZAW

Phone +49 - 22 03 - 96 49-145
Fax +49 - 22 03 - 96 49-334

igus® GmbH
51147 Cologne

Internet www.igus.de
E-mail info@igus.de