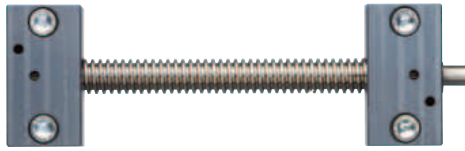


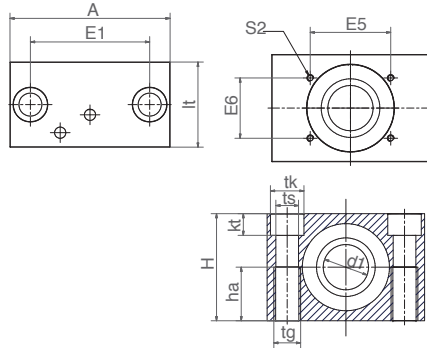
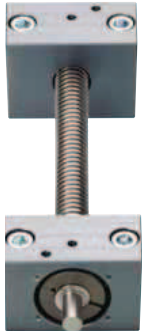
Lead screw support with ball bearings



 Bestellschlüssel

SLS-10x2-BB

Ball Bearing
Lead
Marking



Accessories

► drylin® Drive Technology,
page 1203



► Seite 1227

Technische Daten und Abmessungen [mm]

Part number	Weight [g]	Max. stat. load capacity axial [N]	S1		S2	
			M8	M4	M8	M4
SLS-10x2-BB	110	350	M8	M4		
SLS-10x12-BB	110	350	M8	M4		
SLS-10x50-BB	110	350	M8	M4		
SLS-18x4-BB	265	1,000	M10	M4		
SLS-18x8P4-BB	265	1,000	M10	M4		
SLS-18x24-BB	265	1,000	M10	M4		
SLS-18x100-BB	265	1,000	M10	M4		
SLS-24x5-BB	350	1,500	M16	M4		

Part number	A	H	E1	E5	E6	It	kt	tk	ts	d1	ha
SLS-10x2-BB	50	32	36	40	20	30	6.5	11	6.6	10	16
SLS-10x12-BB	50	32	36	40	20	30	6.5	11	6.6	10	16
SLS-10x50-BB	50	32	36	40	20	30	6.5	11	6.6	10	16
SLS-18x4-BB	72	46	54	48	36	36	8.6	15	9	18	23
SLS-18x8P4-BB	72	46	54	48	36	36	8.6	15	9	18	23
SLS-18x24-BB*	72	46	54	48	36	36	8.6	15	9	18	23
SLS-18x100-BB*	72	46	54	48	36	36	8.6	15	9	18	23
SLS-24x5-BB	94	64	70	48	36	50	13	20	13.5	24	32

* Must be turned to 18 mm

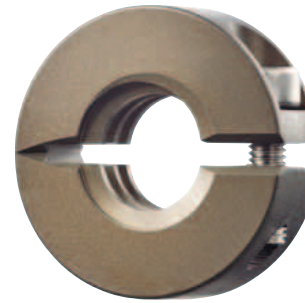
 delivery from stock
time

 prices price list online
www.igus.eu/eu/sls-bb

New in this catalog!

drylin® SD Lead Screw Drives | Product Range

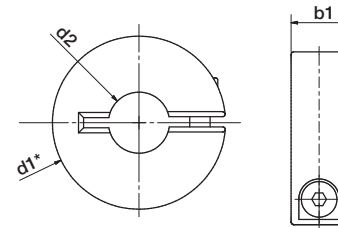
drylin®-clamping ring



 Bestellschlüssel

CRR-01-TR8x1.5

Thread
Type
Clamping ring



Abmessungen [mm]

Part number	Thread	d2*	b1	max. stat. F axial	
				h9	[N]
right-handed	d1 x P				
CRR-01-TR8x1.5 New!	TR8x1.5	16	9	1,530	
CRR-01-TR10x2 New!	TR10x2	24	8	1,800	
CRR-01-TR12x3 New!	TR12x3	28	8	2,096	
CRR-01-TR14x4 New!	TR14x4	30	11	3,312	
CRR-01-TR16x4 New!	TR16x4	34	11	3,840	
CRR-01-TR18x4 New!	TR18x4	36	13	5,216	
CRR-01-TR20x4 New!	TR20x4	45	15	6,784	
CRR-01-TR24x5 New!	TR24x5	45	15	8,096	

Part number	Thread	d2*	b1	max. stat. F axial	
				h9	[N]
left-handed	d1 x P				
CRL-01-TR8x1.5 New!	TR8x1.5	16	9	1,530	
CRL-01-TR10x2 New!	TR10x2	24	8	1,800	
CRL-01-TR12x3 New!	TR12x3	28	8	2,096	
CRL-01-TR14x4 New!	TR14x4	30	11	3,312	
CRL-01-TR16x4 New!	TR16x4	34	11	3,840	
CRL-01-TR18x4 New!	TR18x4	36	13	5,216	
CRL-01-TR20x4 New!	TR20x4	45	15	6,784	
CRL-01-TR24x5 New!	TR24x5	45	15	8,096	

* Outside clamping ring dimension. Screw head may protrude. Installation dimension: d2+2mm

 delivery from stock
time

 prices price list online
www.igus.eu/eu/crr