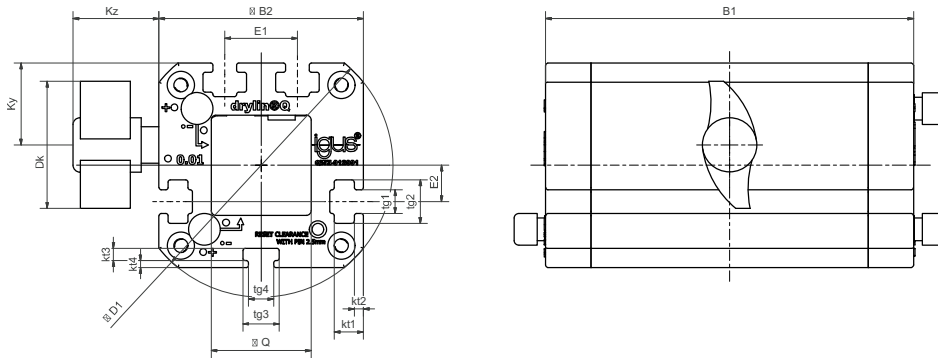




Order key

Type	Size	Options
QWE-01-20-HKA		
Square	Linear carriage	Adjustable
Type standard	Installation size	Manual clamp



Dimensions [mm]

Part No.	Weight [g]	M max. [Nm]	B1	B2 h7	D1	Q	E1	E2	tg1	tg2	tg3	tg4
QWE-01-20-HKA	215	10	81	45	58	20	16	8	5.2	9.6	8	5.5

Part No.	kt1	kt2	kt3	kt4	Dk	Ky	Kz
QWE-01-20-HKA	6.4	2	2.7	1.5	28	18	19



The manual clamp has been developed for simple tasks. The creep behaviour of the clamped plastic causes a slackening in the clamping force over time (up to 70%). Therefore safety-related parts should not be clamped. Please contact our applications consultant if you require other options for the clamping.

Can be combined with:



AWMQ-20

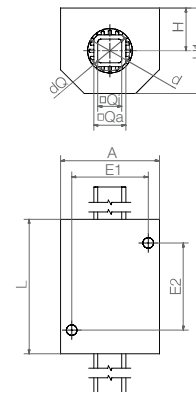


Order key

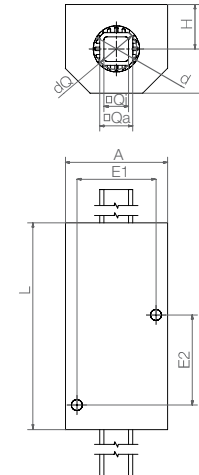
Type	Size
QJRM-05-20	
Square	iglidur® J
Closed design	Metric
Tandem (optional)	Type compact
Installation size	



QJRM-05-20



QJRMT-05-20



Dimensions [mm]

Part No.	Weight [kg]	A	H ±0.02	H1	dQ	Qa	Qi	E1 ±0.15	E2 ±0.15	d	L
QJRMT-05-20	0.55	62	27	54	25	20	15	48	55	28	85
QJRM-05-20	0.25	62	27	54	25	20	15	48	-	28	40

Can be combined with:



AWMQ-20