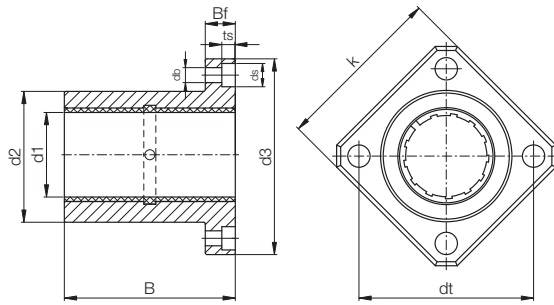


DryLin® R | Square Flange FJUM-02 | mm



Structure – part no.
F J U M-02-12



- Diameter
- Square
- Metric
- Liner
- iglidur® J
- Flange

Special properties

- Flange pillow block made of anodized aluminium, square flange
- Liner JUM-01 made of iglidur® J is fitted as standard
- Recommended tolerance for the shaft: h6–h10 (see iglus® shafts ► **chapter 65**)
- Also available with following liners:
 - XUM-02: for high temperatures, material iglidur® X – Example: FXUM-02-16
 - JUM-12: with reduced maximum clearance, material iglidur® J – Example: FJUM-12-16

* According to iglus®
testing method
► **Page 64.37**

**Nominal diameters under
10 mm are delivered
with pressfit sleeve bearings

Available from stock

Inner Diameter, Load Capacity and Weight

Part No.	Shaft Ø	Tolerance* Bearing Inner Diameter [mm]	pmax. [N] Dynamic Load P = 5 MPa	pmax. [N] Static Load P = 35 MPa	Weight [g]
	[mm]				
FJZM-02-08**	8	0,032 - 0,070	960	6720	17
FJUM-02-10	10	0,030 - 0,088	725	5075	25
FJUM-02-12	12	0,030 - 0,088	960	6720	32
FJUM-02-16	16	0,030 - 0,088	1440	10080	41
FJUM-02-20	20	0,030 - 0,091	2250	15750	73
FJUM-02-25	25	0,030 - 0,091	3625	25375	135
FJUM-02-30	30	0,030 - 0,110	5100	35700	228
FJUM-02-40	40	0,030 - 0,115	8000	56000	454
FJUM-02-50	50	0,030 - 0,130	12500	87500	735

Dimensions [mm]

Part No.	d1 [mm]	d2 [mm]	d3 [mm]	dt [mm]	k [mm]	B [mm]	Bf [mm]	ts [mm]	db [mm]	ds [mm]
FJZM-02-08**	8	16	32	24	25	25	8	3,1	3,5	6,0
FJUM-02-10	10	19	39	29	30	29	9	4,1	4,5	7,5
FJUM-02-12	12	22	42	32	32	32	9	4,1	4,5	7,5
FJUM-02-16	16	26	46	36	35	36	9	4,1	4,5	7,5
FJUM-02-20	20	32	54	43	42	45	11	5,1	5,5	9,0
FJUM-02-25	25	40	62	51	50	58	11	5,1	5,5	9,0
FJUM-02-30	30	47	76	62	60	68	14	6,1	6,6	11,0
FJUM-02-40	40	62	98	80	75	80	18	8,1	9,0	14,0
FJUM-02-50	50	75	112	94	88	100	18	8,1	9,0	14,0

DryLin® R

mm

Phone +49 - 22 03 - 96 49-145
Fax +49 - 22 03 - 96 49-334

