

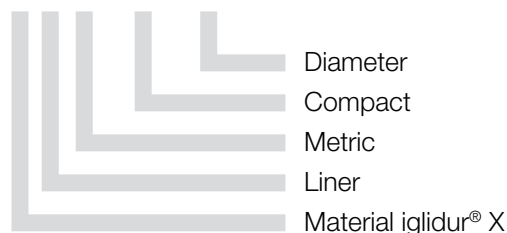
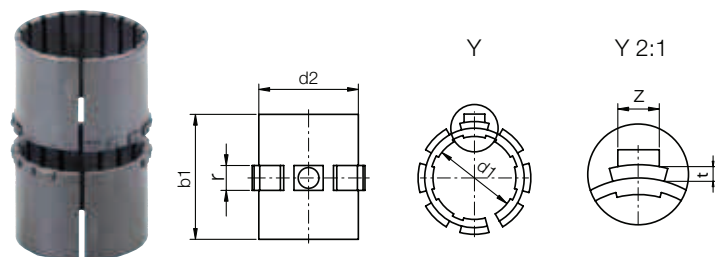
drylin® R | Product Range

Short, closed design, high temperature



Order key

XUM-02-12



- Temperatures from -100 to $+250$ °C
- Recommended in combination with stainless steel or chrome-plated shafts
- 2-parts



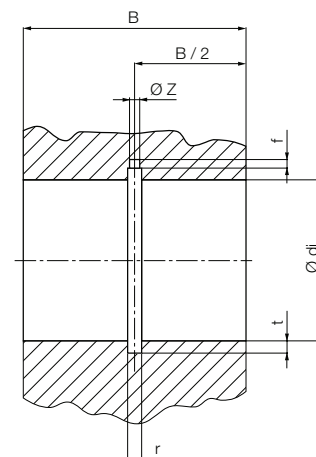
* according to igus® testing method ► page 925
Please note: Installation instructions ► page 877

Dimensions [mm]

Part number	d1	Tolerance*	d2	b1	r	t	z	Weight [g]
XUM-02-12	12	+0.030 +0.070	14	27	3.0	0.8	3.0	1.46
XUM-02-16	16	+0.030 +0.070	18	29	3.5	0.8	3.5	2.13
XUM-02-20	20	+0.030 +0.070	23	29	5.0	0.8	3.5	4.7
XUM-02-25	25	+0.030 +0.070	28	39	5.0	0.8	4.0	8.27
XUM-02-30	30	+0.040 +0.085	34	49	5.0	0.8	4.0	15.57
XUM-02-40	40	+0.040 +0.085	44	59	6.0	1.3	5.0	24.0

Installation Drawings Housing Bore for XUM-02 | Dimensions [mm]

Part number	Shaft \varnothing	d1 H7	B h10	r +0.05	t +0.1	f +0.5	z +0.2
XUM-02-12	12	14	28	3.0	1.0	1.5	3.1
XUM-02-16	16	18	30	3.5	1.0	1.7	3.6
XUM-02-20	20	23	30	5.0	1.0	2.0	3.6
XUM-02-25	25	28	40	5.0	1.0	2.0	4.1
XUM-02-30	30	34	50	5.0	1.0	2.0	4.1
XUM-02-40	40	44	60	6.0	1.5	2.5	5.1



Can be combined with:



RJUM-02



RJUM-05/RJUM-05
TJUM-05/RJUM-05



FJUMT-01/-02

delivery from stock
time



prices price list online
www.igus.eu/eu/drylinR