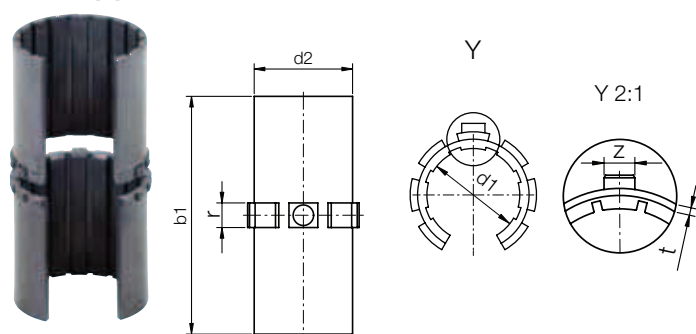
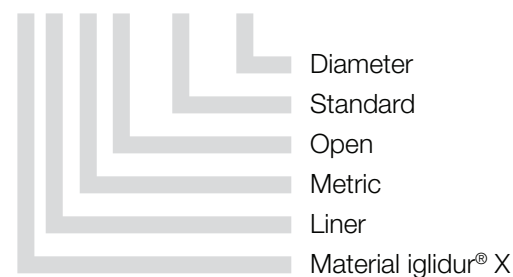


Open, long design, high temperature –  
for supported shafts



Order key

## XUMO-01-12



- Temperatures from –100 to +250 °C
- Recommended in combination with stainless steel or chrome-plated shafts
- 2-parts, for supported shafts



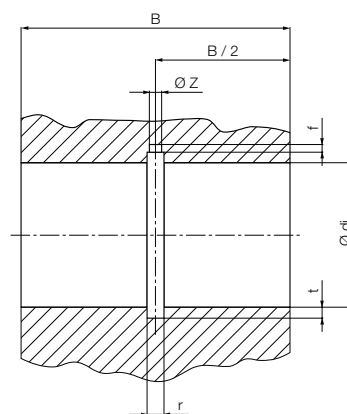
\* according to igus® testing method ► page 925  
Please note: Installation instructions ► page 877

### Dimensions [mm]

Part number	d1	Tolerance*	d2	b1	r	t	z	Weight [g]
XUMO-01-10*	10	+0.000 +0.020	12	28	3.0	0.8	2.5	1.0
XUMO-01-12	12	+0.030 +0.070	14	31	3.0	0.8	3.0	1.46
XUMO-01-14**	14	+0.030 +0.070	16	30	3.5	0.6	3.5	1.81
XUMO-01-16	16	+0.030 +0.070	18	35	3.5	0.8	3.5	2.13
XUMO-01-20	20	+0.030 +0.070	23	44	5.0	0.8	3.5	4.7
XUMO-01-25	25	+0.030 +0.070	28	57	5.0	0.8	4.0	8.27
XUMO-01-30	30	+0.040 +0.085	34	67	5.0	0.8	4.0	15.57
XUMO-01-40	40	+0.040 +0.085	44	79	6.0	1.3	5.0	24.0

### Installation Drawings Housing Bore for XUMO-01 | Dimensions [mm]

Part number	Shaft Ø	d1 H7	B h10	W +0.2	r +0.05	t +0.1	f +0.5	z +0.2
XUMO-01-10**	10	12	29	7.3	3.0	1.0	1.0	2.6
XUMO-01-12	12	14	32	9.0	3.0	1.0	1.5	3.1
XUMO-01-14***	14	16	31	–	3.0	0.8	1.7	3.6
XUMO-01-16	16	18	36	11.6	3.5	1.0	1.7	3.6
XUMO-01-20	20	23	45	12.0	5.0	1.0	2.0	3.6
XUMO-01-25	25	28	58	14.5	5.0	1.0	2.0	4.1
XUMO-01-30	30	34	68	16.6	5.0	1.0	2.0	4.1
XUMO-01-40	40	44	80	21.0	6.0	1.5	2.5	5.1



\*\* Ø-10 only available as open design; \*\*\* Ø-14 only available as closed design

Can be combined with:



OJUM-01/-03  
TJUM-01/-03



OJUM-06/-06-LL

