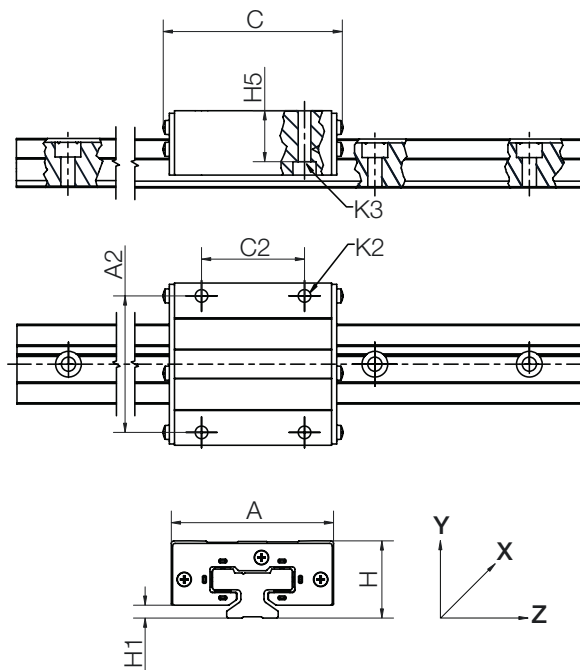


drylin® T Rail Guide Systems | Product Range

drylin® T Linear Guide Carriage – Heavy Duty



- Linear guide carriage for extreme conditions (dirt, glue resins, chips, mud etc.)
 - Carriage with floating bearing on request
 - In combination with drylin® T Rails TS-01
- [page 806](#)



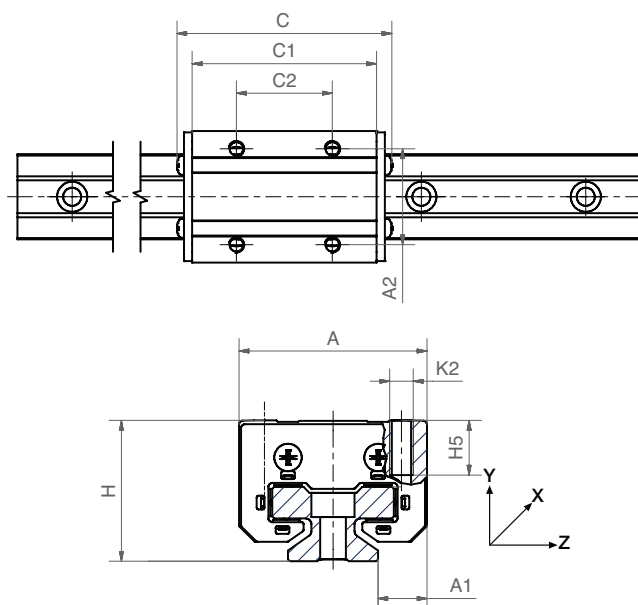
Dimensions [mm]

Part number	Weight [kg]	H ±0.35	H5	A	C	A2	C2	H1 ±0.35	K2	K3
TW-02-20	0.19	30	19.8	63	70	53	40	5.0	M6	M5
TW-02-25	0.29	36	24.8	70	77	57	45	5.0	M8	M6
TW-02-30	0.50	42	27.0	90	92	72	52	6.5	M10	M8

drylin® T Linear Guide Carriage – Compact



- Compact linear guide carriage for tough applications (clearance not adjustable)
 - Narrow design, compatible with commercially available recirculating ball bearing systems
 - In combination with drylin® T Rails Size 20 (TS-01-20 und TS-11-20)
- [page 772](#)



Dimensions [mm]

Part number	Weight [kg]	H ±0.35	A	C	A1	A2	C1	C2 ±0.35	H1	H5	K2	Torque max. [Nm]
TW-03-25	0.16	36	48	84	12.5	35	68	35	5	13	M6	6.0

Order example: TS-03-25, for a narrow and high guide carriage design