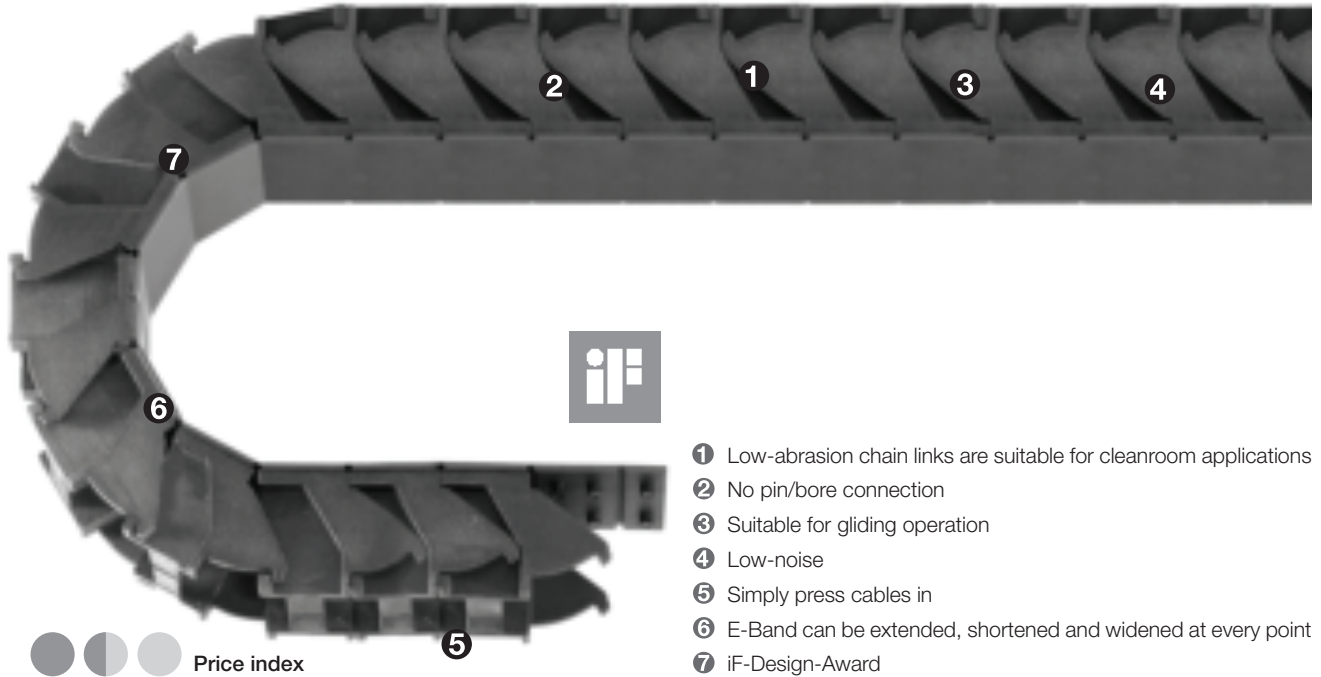


igus® E-ChainSystems®

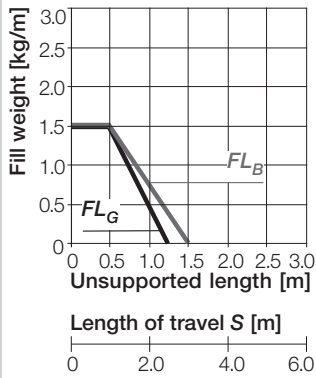


- ① Low-abrasion chain links are suitable for cleanroom applications
- ② No pin/bore connection
- ③ Suitable for gliding operation
- ④ Low-noise
- ⑤ Simply press cables in
- ⑥ E-Band can be extended, shortened and widened at every point
- ⑦ iF-Design-Award

● ● ● Price index

Phone +49- (0) 22 03-96 49-800
Fax +49- (0) 22 03-96 49-222

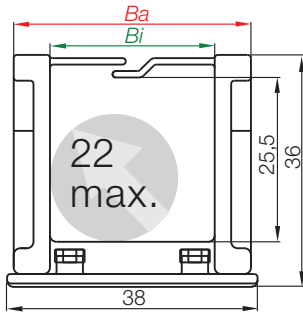
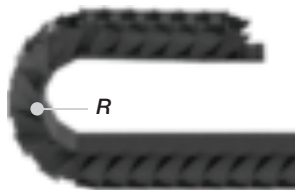
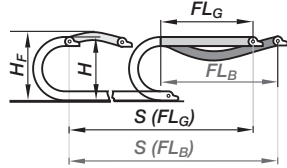
igus® GmbH
51147 Cologne



Unsupported length

FL_G = with straight upper run

FL_B = with permitted sag



E-Band - split crossbar along the outer radius

| Part No. | B_i [mm] | B_a [mm] | R [mm] Bending Radii |
|-----------------------------------|------------|------------|------------------------|
| EB20.025. <input type="text"/> .0 | 25 | 36 | 045 063* 075* |
| | | | 100* 125* 150* |
| | | | 175* 200* |

Radii for all widths!

*available upon request!

Supplement Part No. with required radius. Example: EB20.025. .0

Bending radii listed above can be combined with every chain width!

Part No. structure



EB20.025.045.0

- Color black
- Bending radius
- Width
- Series



Order example 2,0 m complete E-Chain®

(indicate chain-lengths or number of links)

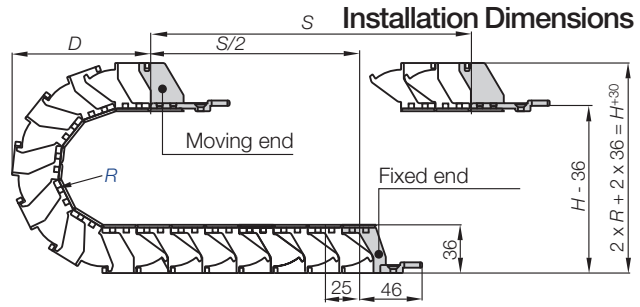
1,0 m (40 links) Series EB20.025.045.0

+ 1 set mounting brackets EB20.025.12.PZ

Pitch = 25 mm Links per m = 40 (2 Bänder/m) Chain length = $\frac{S}{2} + K$

| | | | | | | | | |
|---|-----|-----|-----|-----|-----|-----|-----|-----|
| R | 045 | 063 | 075 | 100 | 125 | 150 | 175 | 200 |
| H | 162 | 198 | 222 | 272 | 322 | 372 | 422 | 472 |
| D | 110 | 128 | 140 | 165 | 190 | 215 | 240 | 265 |
| K | 200 | 250 | 300 | 375 | 450 | 525 | 600 | 675 |

The required clearance height is $H_F = H + 30$ mm (with 0,3 kg/m fill weight). Please consult igus® if space is particularly restricted.

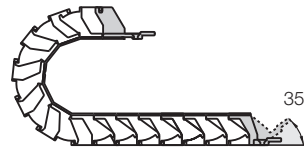
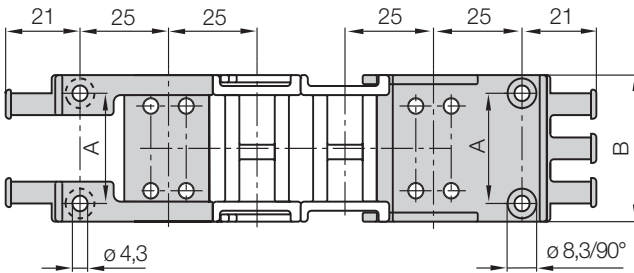


EB20.025.2.PZ
Fixed end

EB20.025.1.PZ
Moving end

Moving end
EB20.025.1.PZ

Mounting Brackets



EB20.025.2.PZ
Fixed end



One-piece mounting brackets with strain relief tiwrap plates

| For E-Chain® | Part No. | Dimension A [mm] | Dimension B [mm] |
|--------------|----------------------------|------------------|------------------|
| | full set with tiwrap plate | | |
| EB20.025. ▶ | EB20.025.12.PZ | 26 | 36 |

Tiwrap plates are possible at the moving end and/or the fixed end!



E-Band
Inner height: 25,5 mm

Phone +49- (0) 22 03-96 49-800
Fax +49- (0) 22 03-96 49-222



Additional Features

For more features
▶ see link below

