

● ● ● Price index



IPA Qualification Certificate:
Air Cleanless Class ISO Class 2
(at v = 1 m/s) upon request



UL94-V2
classifications



Torsional
motion possible



Special equipment:
Electrically conductive ESD/ATEX
version upon request



Just push the cables with your thumb
into the E-Chain® - and it's ready



When to use the Series E065:

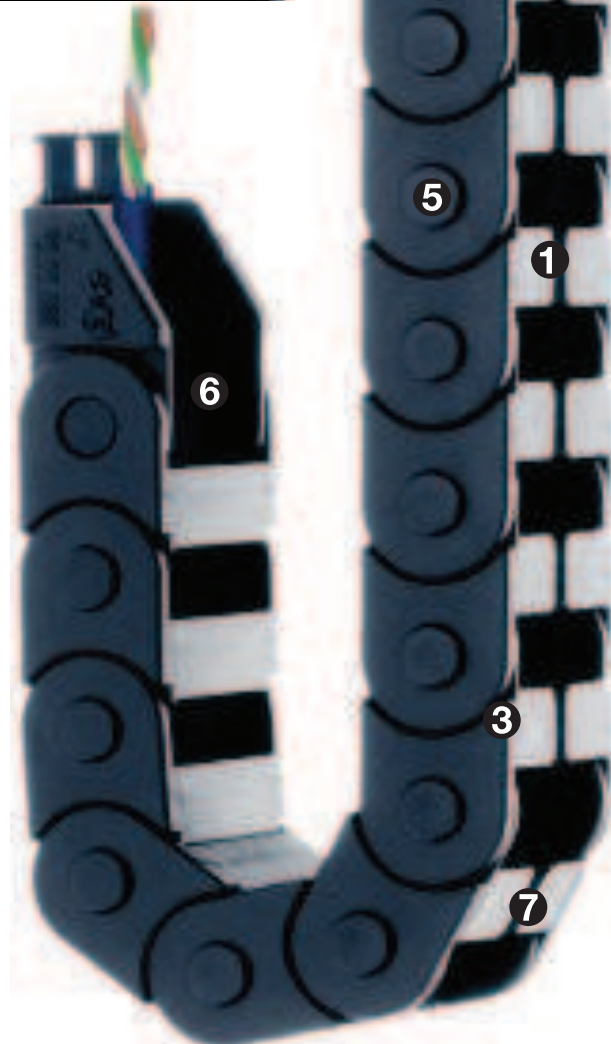
- If filling is required without opening and closing lids
- If price is an issue
- If quiet operation is required



When not to use it:

- For applications with very high loads and long unsupported travel lengths
- ▶ Series 06 E2 micro, page 5.26

- 1 Very easy to fill - ideal for harnessed cable assemblies
- 2 Small pitch for low-noise, smooth operation
- 3 Limited torsion tolerance
- 4 Very light weight
- 5 The patented push-button principle holds the links together
- 6 Cable-friendly interior
- 7 Split crossbar along the outer radius
- 8 Mounting bracket with integrated strain relief
- 9 1-, 2-, 3- or 4-chamber system available



Order example complete E-Chain®

Please indicate chain-lengths or number of links **Example: 1 m or 67 links**

1 m **E065.16.018.0**



E-Chain®

1 set **0650.16.12PZ**

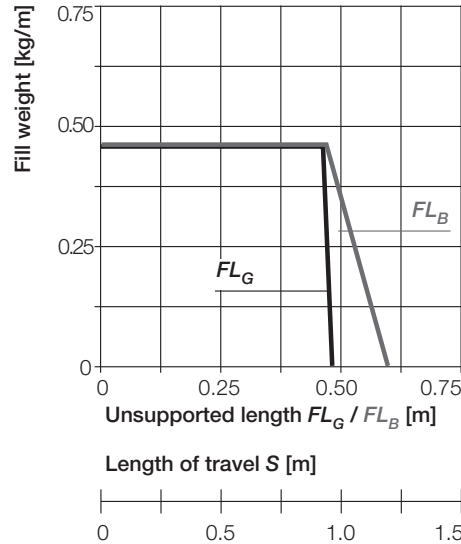
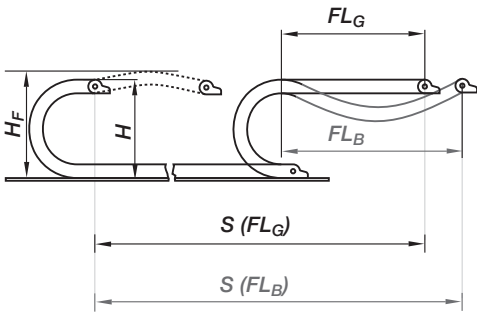


Mounting bracket

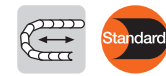
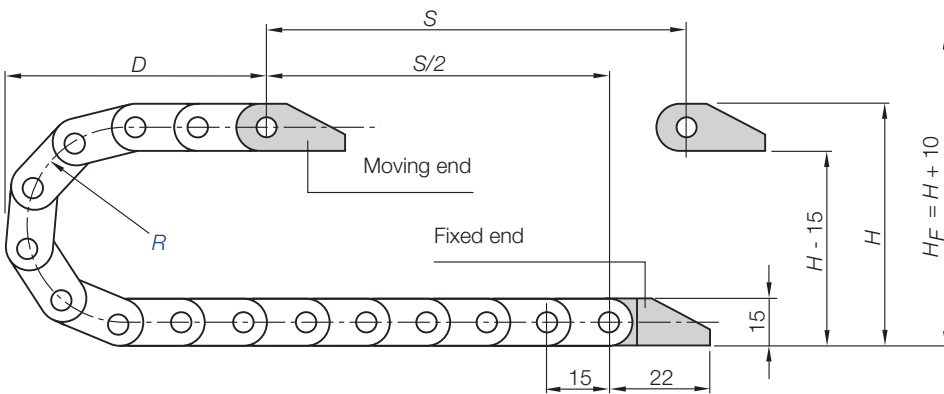


Unsupported length

FL_G = with straight upper run
 FL_B = with permitted sag
 Further information ► **Design, page 1.12**



- S = Length of travel
- R = Bending radius
- H = Nominal clearance height
- H_F = Required clearance height
- D = Overlength E-Chain® radius in final position
- $K = \pi \cdot R + \text{"safety"}$



Short travels - unsupported

Unsupported E-Chains® feature positive camber over short travels. This must be accounted for when specifying the clearance height H_F . Please consult igus® if space is particularly restricted.

Pitch = 15 mm/Glied Links/m = 67 (1.005 mm) Chain length = $S/2 + K$

R	018	028	038
H	52	70	90
D	40	50	60
K	86	118	149

The required clearance height:
 $H_F = H + 10 \text{ mm}$
 (with 0,2 kg/m fill weight)

Speed / acceleration FL_G	max. 20 [m/s] / max. 200 [m/s ²]
Speed / acceleration FL_B	max. 3 [m/s] / max. 6 [m/s ²]
Gliding speed / acceleration (maximum)	max. 3 [m/s] / max. 10 [m/s ²]
Material (E-Chain®)- permitted temperature °C	igumid NB / -40° up to +80° C
Material (mounting brackets)* - permitted temperature °C	igumid G / -40° up to +120° C
Flammability class (E-Chain®), igumid NB	VDE 0304 IIC UL94 V2
Flammability class (mounting brackets), igumid G*	VDE 0304 IIC UL94 HB

*Available in igumid NB upon request, please consult igus® for delivery time

Technical Data

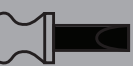
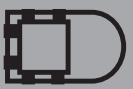


Details of material properties
 ► page 1.38

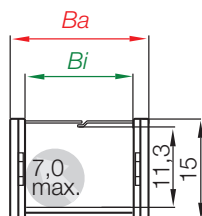


Easy Chain®
 Inner height: 11,3 mm

Phone +49- (0) 22 03-96 49-800
 Fax +49- (0) 22 03-96 49-222



► page 3.5

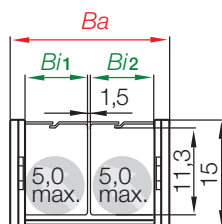


Series E065 - split crossbar along the outer radius

Part No.	B_i [mm]	B_a [mm]	R [mm] Bending radii	Weight [kg/m]
E065.16. <input type="text"/> .0	16	24,8	<input type="text" value="018"/> <input type="text" value="028"/> <input type="text" value="038"/>	≈ 0,17

 Supplement Part No. with required radius. Example: E065.16. .0

0 = standard color, other colors ► page 1.39 · Pitch = 15 mm/link - Links/m = 67

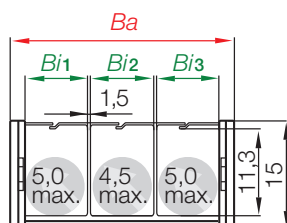


Series E065 - split crossbar along the outer radius with 2-chamber system

Part No.	B_i [mm]	B_a [mm]	R [mm] Bending radii	Weight [kg/m]
E065.2/9. <input type="text"/> .0	9 / 9	29,3	<input type="text" value="018"/> <input type="text" value="028"/> <input type="text" value="038"/>	≈ 0,19

 Supplement Part No. with required radius. Example: E065.2/9. .0

0 = standard color, other colors ► page 1.39 · Pitch = 15 mm/link - Links/m = 67

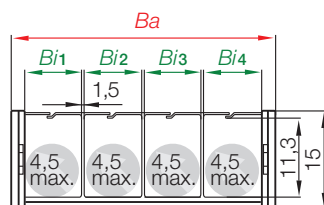


Series E065 - split crossbar along the outer radius with 3-chamber system

Part No.	B_i [mm]	B_a [mm]	R [mm] Bending radii	Weight [kg/m]
E065.3/9. <input type="text"/> .0	9 / 9 / 9	39,3	<input type="text" value="018"/> <input type="text" value="028"/> <input type="text" value="038"/>	≈ 0,22

 Supplement Part No. with required radius. Example: E065.3/9. .0

0 = standard color, other colors ► page 1.39 · Pitch = 15 mm/link - Links/m = 67



Series E065 - split crossbar along the outer radius with 4-chamber system

Part No.	B_i [mm]	B_a [mm]	R [mm] Bending radii	Weight [kg/m]
E065.4/9. <input type="text"/> .0	9 / 9 / 9 / 9	49,3	<input type="text" value="018"/> <input type="text" value="028"/> <input type="text" value="038"/>	≈ 0,25

 Supplement Part No. with required radius. Example: E065.4/9. .0

0 = standard color, other colors ► page 1.39 · Pitch = 15 mm/link - Links/m = 67



Part No. structure

E065.	16.	<input type="text" value="038"/> .	<input type="text" value="0"/> .
		Color	
		black	
		Bending	
		radius	
		Width	
		Series	

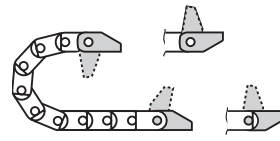




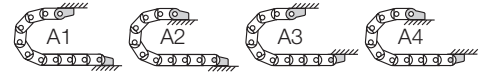
Polymer, one-piece

- One-piece mounting bracket
- Corrosion-resistant
- Available preassembled
- Inner and outer attachment possible
- Available with integrated strain relief tiwrap plates

Moving end with bore
(outer link) 0650...1PZ

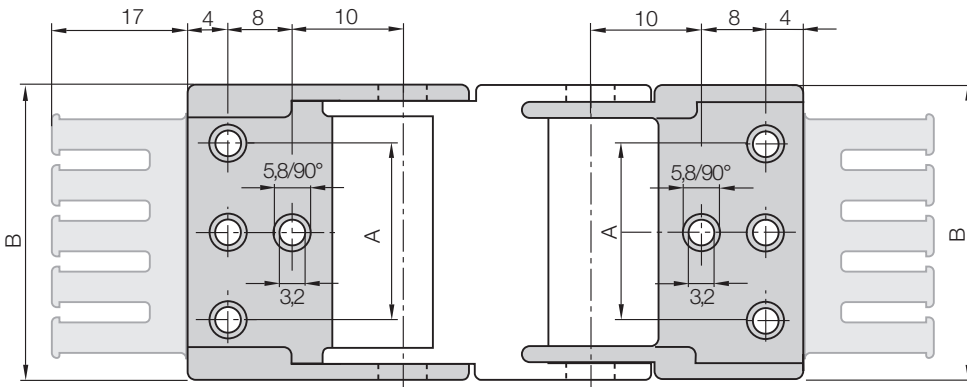


0650...2PZ Fixed end
with pin (inner link)



Possible installation conditions for assembled mounting brackets ▶ Order example "preassembled" below

0650...1PZ
Moving end



0650...2PZ
Fixed end

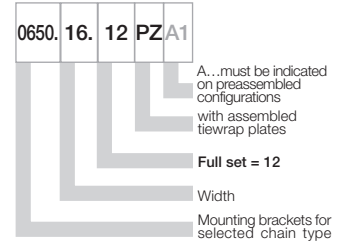
Dimensions and order configurations

Strain relief is possible on the moving end and/or the fixed end.

For E-Chain®	Part No. full set with tiwrap plate	Number of teeth	Dim. A [mm]	Dim. B [mm]
E065.16. ▶	0650.16. 12 PZ	2	-	22,5
E065.2/9. ▶	0650.2/9. 12 PZ	2	-	27
E065.3/9. ▶	0650.3/9. 12 PZ	3	22	37
E065.4/9. ▶	0650.4/9. 12 PZ	4	32	47

For the **preassembled** mode please add the index **A1** ... **A4** e. g. 0650.16. 12 PZ **A1**

Part No. structure



Full set, for both ends:

0650. 16. 12 PZ +tiwrap plate

Single-part order:

0650. 16. 1 PZ +tiwrap plate

Mounting bracket **with bore**

0650. 16. 2 PZ +tiwrap plate

Mounting bracket **with pin**



Quicksnap - the complete, detachable mounting unit, available upon request



Quickfix - mounting bracket with dowel, available upon request

Additional Features

