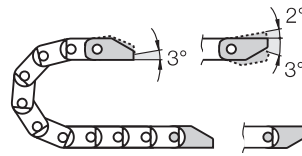




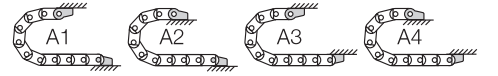
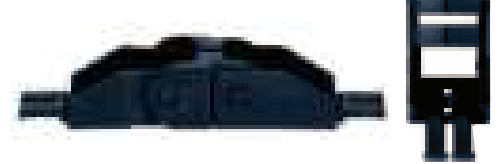
Polymer, one-piece

- One-piece mounting bracket
- Corrosion-resistant
- Available preassembled
- Inner and outer attachment possible
- Available with integrated strain relief tiwrap plates

Moving end with bore
(outer link) 080...1 (PZ)



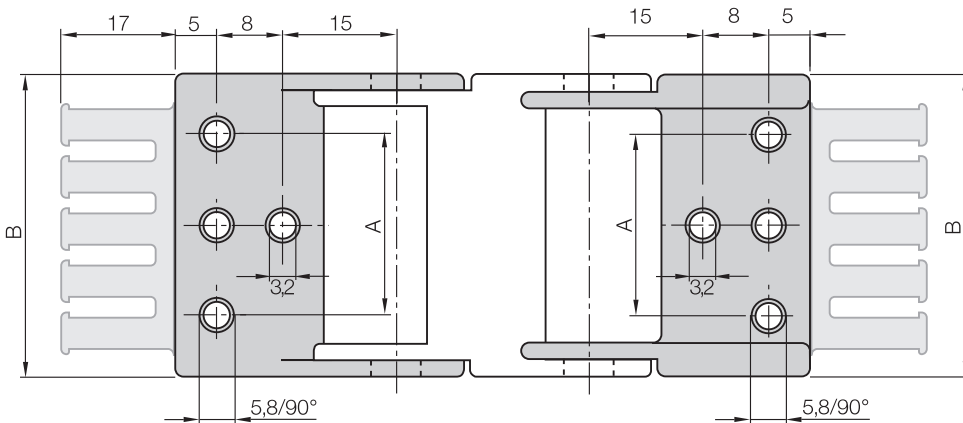
080...2 (PZ) Fixed end
with pin (inner link)



Possible installation conditions for assembled mounting brackets ▶ Order example "preassembled" below

080...1 (PZ)
Moving end

080...2 (PZ)
Fixed end



Dimensions and order configurations

Strain relief is possible on the moving end and/or the fixed end.

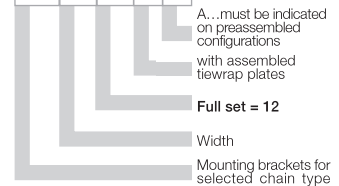
080.10.12 - 080.20.12: center bores only
080.30.12 - 080.50.12: all bores

For E-Chain®	Part No. full set with tiwrap plate	Part No. full set without tiwrap plate	Number of teeth	Dim. A [mm]	Dim. B [mm]
E08-Z08.10. ▶	080.10.12 PZ	080.10.12	1	-	18,2
E08-Z08.16. ▶	080.16.12 PZ	080.16.12	2	-	24,2
E08-Z08.20. ▶	080.20.12 PZ	080.20.12	2	-	28,2
E08-Z08.30. ▶	080.30.12 PZ	080.30.12	3	22	38,2
E08-Z08.40. ▶	080.40.12 PZ	080.40.12	4	32	48,2
E08-Z08.50. ▶	080.50.12 PZ	080.50.12	5	42	58,2

For the preassembled mode please add the index A1 ... A4 e.g. 080.10.12 PZ A1

Part No. structure

080. 10. 12 PZ A1



Full set, for both ends:

080.10.12 PZ +tiwrap plate

Single-part order:

080.10.1 PZ +tiwrap plate

Mounting bracket with bore

080.10.2 PZ +tiwrap plate

Mounting bracket with pin



Quicksnap - the complete, detachable mounting unit, available upon request



Quickfix - mounting bracket with dowel, available upon request

Additional Features

Phone +49- (0) 22 03-96 49-800
Fax +49- (0) 22 03-96 49-222

