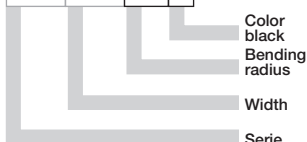


Part No. structure

E332.	50.2.	100.	0
-------	-------	------	---



Single-axis movement - Series E332

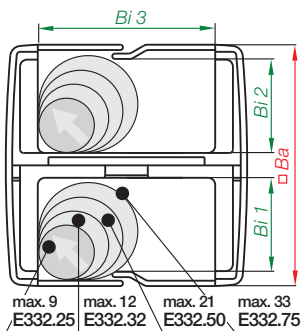
Part No.	Bi 1/Bi 2 [mm]	Bi 3 [mm]	Ba [mm]	R [mm]	Bending radii	Weight [kg/m]
E332.25.2.□.0	13	25	34	048	075 100 125 150 175 200	≈ 0,70
E332.32.2.□.0	17	32	50	075	100 125 150 200 250	≈ 0,90
E332.50.2.□.0	26	50	68	100	125 150 200 250	≈ 1,40
E332.75.2.□.0	38,5	75	96	140	175 200 250 300	≈ 2,35

Supplement Part No. with required radius (R). Example: E332.50.2. 100.0

0 = standard color, other colors ► page 1.39

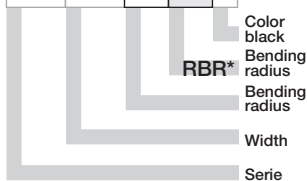


Part No.	Pitch [mm]
E332.25	14,5
E332.32	25
E332.50	30
E332.75	36



Part No. structure

E332.	75.2.	200/200.	0
-------	-------	----------	---



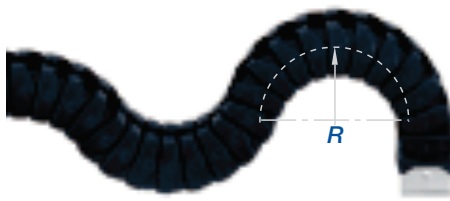
Double-axis movement - Series E332

Part No.	Bi 1/Bi 2 [mm]	Bi 3 [mm]	Ba [mm]	R [mm]	Bending radii	Weight [kg/m]
E332.25.2.□/□.0	13	25	34	048	075 100 125 150 175 200	≈ 0,70
E332.32.2.□/□.0	17	32	50	075	100 125 150 200 250	≈ 0,90
E332.50.2.□/□.0	26	50	68	100	125 150 200 250	≈ 1,40
E332.75.2.□/□.0	38,5	75	96	140	175 200 250 300	≈ 2,35

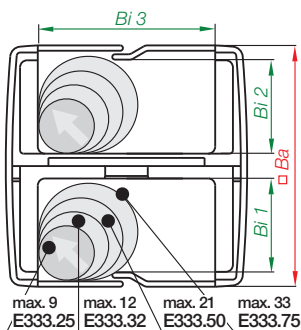
Supplement Part No. with required radius (R). Example: E332.75.2. 200/200.0

0 = standard color, other colors ► page 1.39

*RBR = Reversal Bending Radius

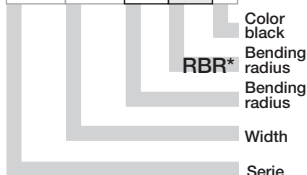


Part No.	Pitch [mm]
E332.25	14,5
E332.32	25
E332.50	30
E332.75	36



Part No. structure

E333.	50.	100/100.	0
-------	-----	----------	---



Triple-axis movement - Series E333

Part No.	Bi 1/Bi 2 [mm]	Bi 3 [mm]	Ba [mm]	R [mm]	Bending radii	Weight [kg/m]
E333.25.□/□.0	13	25	34	048	075 100 125 150 175 200	≈ 0,70
E333.32.□/□.0	17	32	50	075	100 125 150 200 250	≈ 0,90
E333.50.□/□.0	26	50	68	100	125 150 200 250	≈ 1,40
E333.75.□/□.0	38,5	75	96	140	175 200 250 300	≈ 2,35

The bending radii are doubled in the case of the Series E333 !

Supplement Part No. with required radius (R). Example: E333.50. 100/100.0

0 = standard color, other colors ► page 1.39

*RBR = Reversal Bending Radius



Part No.	Pitch [mm]
E333.25	14,5
E333.32	25
E333.50	30
E333.75	36