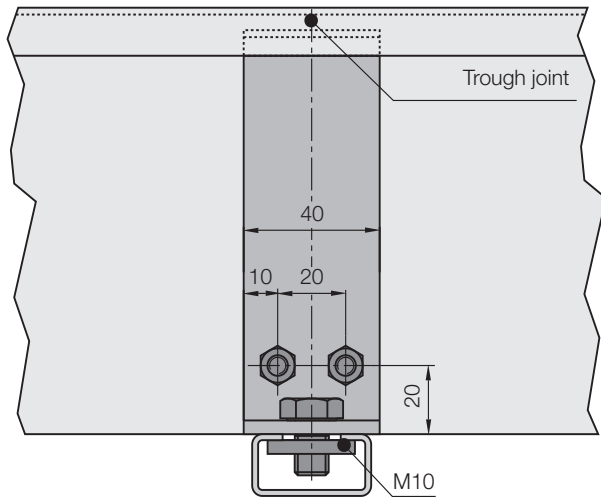


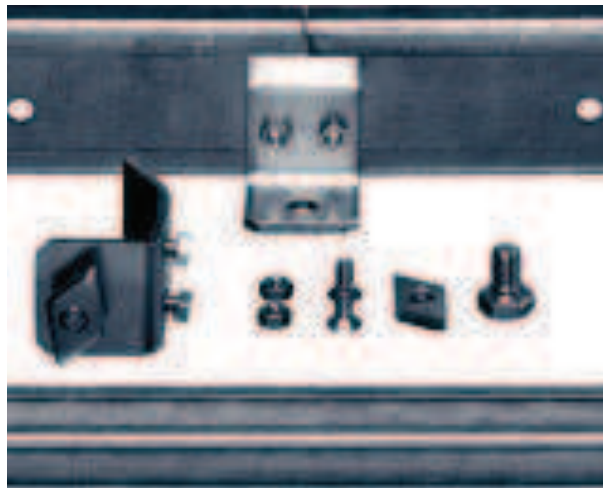
Steel guide trough - very stable and rugged for heavy duty applications

If the igus® installation sets are used, the guide troughs are particularly easy to assemble. All the steel guide troughs are constructed according to the same basic principle. On the following pages, you will find information about dimensions, weights and accessories according to the trough size. You will find all necessary design data to stipulate the assembly width on. All sizes use a common C-profile on which the guide parts are assembled. The assembly brackets used vary in height only.

- Easy assembly with installation set
- Big range, two piece design, adjustable to E-Chain® width
- Available in galvanized steel and stainless steel
- Glide bar made of PE



Side view of trough joint. All the dimensions, apart from the height, apply to all sizes



Installation set for joint and attachment surface connections secure connection without misalignment and without welding

