

# Guide Trough Systems

## Aluminum "SuperTrough" | Basic version - for general machinery



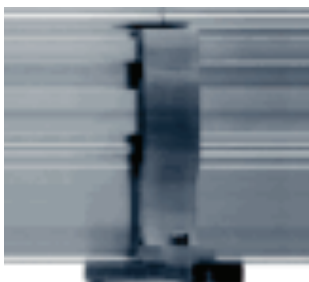
**Basic version**  
▶ from page 9.20

Guide trough Series Part No.	Outer trough height $H_{Ra}$ [mm]	Price index	Materials of side parts	Page
970.30.SL / 970.31.SL	77	●●●	Aluminum	9.20
970.30.SL / 970.32.SL	77	●●●	Aluminum	9.22
971.30.SL / 971.31.SL	87	●●●	Aluminum	9.24
972.02.30.SL / 972.02.31.SL	117	●●●	Aluminum	9.26
972.30.SL / 972.31.SL	117	●●●	Aluminum	9.28
972.30.SL / 972.32.SL	117	●●●	Aluminum	9.30
973.30.SL / 973.31.SL	144	●●●	Aluminum	9.32
974.30.SL / 974.31.SL	184	●●●	Aluminum	9.34
975.30.SL / 975.31.SL	236	●●●	Aluminum	9.38

**Assembly kit for the basic version**

The basic assembly kits are the standard for the super aluminum troughs. They can be fastened inside or outside and are recommended for most application areas. The basic clamping shoes are made of aluminum. The part numbers of the basic assembly kits can be found on the corresponding Super-Alu-Trough page.

## Aluminum "SuperTrough" | Heavy-duty version - for rugged plant construction



**Heavy-Duty Version**  
▶ fom page 9.24

Guide trough Series Part No.	Outer trough height $H_{Ra}$ [mm]	Price index	Materials of side parts	Page
971.30.SL / 971.31.SL	87	●●●	Aluminum	9.24
972.02.30.SL / 972.02.31.SL	117	●●●	Aluminum	9.26
972.30.SL / 972.31.SL	117	●●●	Aluminum	9.28
972.30.SL / 972.32.SL	117	●●●	Aluminum	9.30
973.30.SL / 973.31.SL	144	●●●	Aluminum	9.32
974.30.SL / 974.31.SL	184	●●●	Aluminum	9.36
975.30.SL / 975.31.SL	236	●●●	Aluminum	9.40

**Assembly kit for the heavy-duty version**

The heavy-duty version of the Super-Alu-Trough is differentiated only by the type of the assembly kit. The part numbers of the channel side plates, slide bars, etc., are the same as the basic model. The heavy-duty assembly kit consists of a rugged aluminum bracket, fastened outside on the guide trough. The heavy-duty assembly kits are recommended for plant construction and extreme application areas. The part numbers of these assembly kits can be found on the corresponding Super-Alu-Trough page.

**Steel guide troughs** | For harsh environments

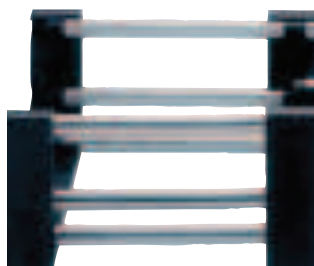


**ST** Steel guide troughs  
▶ from page 9.44

Guide trough Series Part No.	Outer trough height $H_{Ra}$ [mm]	Price index	Materials of side parts	Page
92.30 / 92.31	70	● ● ●	Galvanized steel*	9.44
95.30 / 95.31	100	● ● ●	Galvanized steel*	9.46
99.30 / 99.31	100	● ● ●	Galvanized steel*	9.48
97.30 / 97.31	130	● ● ●	Galvanized steel*	9.50
93.30 / 93.31	130	● ● ●	Galvanized steel*	9.52
94.30 / 94.31	170	● ● ●	Galvanized steel*	9.54
96.30 / 96.31	220	● ● ●	Galvanized steel*	9.56
98.30 / 98.31	300	● ● ●	Galvanized steel*	9.58
90.30 / 90.31	480	● ● ●	Galvanized steel*	9.60
91.10 - 91.71**	48	● ● ●	Galvanized steel*	9.63

\*Stainless steel on request    \*\*Steel guide troughs, one-piece

**Tubular trough system RS** | Lets debris through, and gives good visibility



**RS** Tubular trough  
▶ from page 9.66

Guide trough Series Part No.	Outer trough height $H_{Ra}$ [mm]	Price index	Materials of side parts	Page
92.70 / 92.71	90	● ● ●	Galvanized steel / Polymer	9.66
93.70 / 93.71	146	● ● ●	Galvanized steel / Polymer	9.67
95.70 / 95.71	126,3	● ● ●	Galvanized steel / Polymer	9.67

**Snap-in trough system SP** | Simple and cost effective



**SP** Snap-in trough  
▶ from page 9.68

Guide trough Series Part No.	Outer trough height $H_{Ra}$ [mm]	Price index	Materials of side parts	Page
91.930	55,5	● ● ●	Galvanized steel	9.68
92.930	76,6	● ● ●	Galvanized steel	9.68
93.930	138,6	● ● ●	Galvanized steel	9.69
95.930	106,6	● ● ●	Galvanized steel	9.69

**Support tray** | For support of the lower run



**Support tray**  
▶ from page 9.70

Support tray Part No.	E-Chain® width	Inner trough - width $B_{Ri}$ [mm]	Outer trough - width $B_{Ra}$ [mm]	Material	Page
S9.010/011.05.XXXX.0	.05 / .050	89	80	Steel, black	9.70
S9.010/011.07.XXXX.0	.07 / .070	114	105	Steel, black	9.70
S9.010/011.10.XXXX.0	.10 / .100	139	130	Steel, black	9.70
S9.010/011.15.XXXX.0	.15 / .150	185	175	Steel, black	9.70
S9.020/021.10.XXXX.0	.10 / .100	167	156	Steel, black	9.70
S9.020/021.15.XXXX.0	.15 / .150	217	206	Steel, black	9.70
S9.020/021.20.XXXX.0	.20 / .200	267	256	Steel, black	9.70
S9.020/021.25.XXXX.0	.25 / .250	317	306	Steel, black	9.70

XXXX = length 1000 or 2000 mm - for almost every Series E2/000, E4.1 and E6 E-Chains® available

### igus® guide troughs

Guide troughs are used for long travels, (travels from 5 to 12 m) and greater, depending on the E-Chain® type. They allow to continue smooth, low-friction operation in these long-travel situations. If the E-Chains® are installed in the center of the travel ("center-mounted"), they glide on themselves for half the travel. For the other half, we recommend glide bars, which are assembled in the trough and on which the E-Chains® glide. igus® guide troughs are available from stock with these highly abrasion-resistant polymer glide bars, which perform well with igus® E-Chains® regarding noise, abrasion and friction.



Various guide trough systems are available



New in this catalog: igus® Support tray - for support of the lower run ► page 9.70

### Trough type

igus® offers guide troughs made of corrosion-resistant aluminum, steel, stainless steel, as well as tubes and insert troughs (with steel side plates). The trough type to be used depends on the application conditions and the requirements of the customer. We recommend the igus® standard super aluminum guide troughs.

### Glide bars

Glide bars made of igulen are optimally matched to the E-Chain® material and achieve the lowest values for friction, noise and wear. Glide bars must be used, if the fixed point is in the center of the travel. It means: Use half of the guide trough with glide bars and the other half of the guide trough without glide bars.

### Delivery condition

The troughs are delivered in 2 meter sections. Special lengths up to 6 m are possible. The left and right side parts are installed on location with the appropriate distance - depending on the width of the E-Chain®. The necessary width is shown by the dimension  $B_{RI}$  on the guide trough pages. The E-Chain® sides can be linked with the base through screwing, welding or a special igus® installation set. The fixation module for the igus® Super-Alu-Trough is a quick fix for mounting the stationary end of an E-Chain® with a KMA-mounting bracket. With this module a fast and easy mounting onto the Super-Aluminum-Trough is possible without any drilling ► page 9.16.

### Own production

The dimensions quoted in this chapter are for design and installation. They apply exclusively to igus® guide trough systems. If a user of igus® E-Chains® produces own designs, the manufacturing and installation dimensions for the necessary guide trough must be obtained from igus®. This applies in particular to the use of one-piece guide troughs and the play between guide trough and E-Chain®, depending on chain type, chain length, size bending radius and tolerance of the moving end and the base. One must be particularly careful here, since a function-compatible setting during installation and a subsequent adjustment is not possible for such guide troughs.



Trough without glide bars - E-Chain® glides on E-Chain®



Trough with glide bars - E-Chain® glides on glide bars



Center mounted: 1/2 Travel with glide bars - 1/2 Travel without glide bars

For long travels, the upper run of the igus® E-Chains® rests on the lower run. The upper run glides partially on the lower run and partially at the same height on a glide bar. The diagrams below show this. For lateral guidance, a Guide Trough is necessary. If the stationary mounting bracket and the fixed end of the cables and hoses can be placed **in the center**, the E-Chain® length is calculated as follows:  $L_k = S/2 + K$ . The shortest E-Chain® length is attained by the axial feeder module. The length of the E-Chain® then corresponds to about half the travel distance. Depending on the technical data and the selected E-Chain®, the mounting point of the moving end of the E-Chain® must be lowered on some units. In our system analysis for long travels, we give exact details for your specific application.

**Selection criteria**

Following parameters are required for the design of a trough system:

- E-Chain® type (Series, width Bi, radius R)
- Travel and travel speed
- Fill weight
- Acceleration and/or lagging
- Lateral accelerations
- Environmental conditions

**Design and installation of the guide trough**

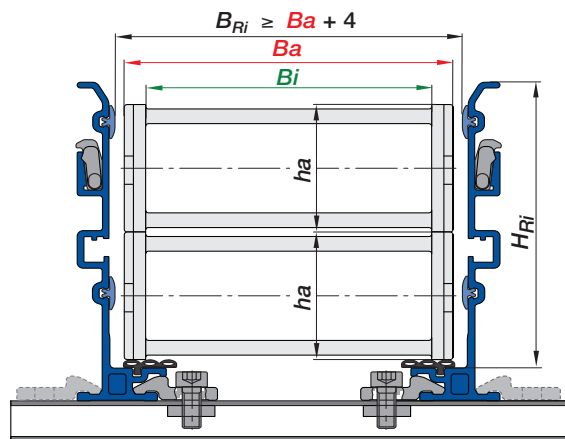
The guide trough is an important element in long travel applications. Usually, the height of the trough must be at least twice that of the E-Chain® link height:  $H_{Ri} \geq 2 \times ha$ . The sides must provide a chamfered opening. The trough inner width is the same as the E-Chain® outer width, plus 5 mm ( $B_{Ri} = Ba + 4$ ). Along the side of the trough, where the upper run cannot glide on the lower run, glide bars must be installed. We recommend the use of polymer glide bars from igus®. They are optimally matched to the E-Chain® material and achieve the lowest values for friction, noise and wear. Guide troughs with and without glide bars can

<b>S</b>	=	Length of travel
<b>R</b>	=	Bending radius
<b>H<sub>F</sub></b>	=	Required clearance height
<b>K<sub>2</sub></b>	=	Further add-on (if the mounting bracket location is set lower)
<b>K</b>	=	$\pi \cdot R$ + "safety" Add-on for bending radius (K is taken from the data tables of the individual igus® Series)
<b>D<sub>2</sub></b>	=	Over length for long travels gliding
<b>Ba</b>	=	Outer E-Chain® width
<b>Bi</b>	=	Inner E-Chain® width
<b>ha</b>	=	Outer E-Chain® height
<b>H<sub>Ri</sub></b>	=	Inner trough height
<b>H<sub>Ra</sub></b>	=	Outer trough height
<b>H<sub>2</sub></b>	=	Mounting height (if the mounting bracket location is set lower)
<b>B<sub>Ri</sub></b>	=	Inner E-Chain® width ▶ depending on Ba
<b>B<sub>Ra</sub></b>	=	Guide trough outer width
<b>L<sub>k</sub></b>	=	E-Chain® length
<b><math>L_k = S/2 + K_2</math>   <math>H_{Ri} \geq 2 \times ha</math>   <math>B_{Ri} \geq Ba + 4</math></b>		
	Guide trough	
	Glide bar	
		Installation set "Basic"
		C-profile

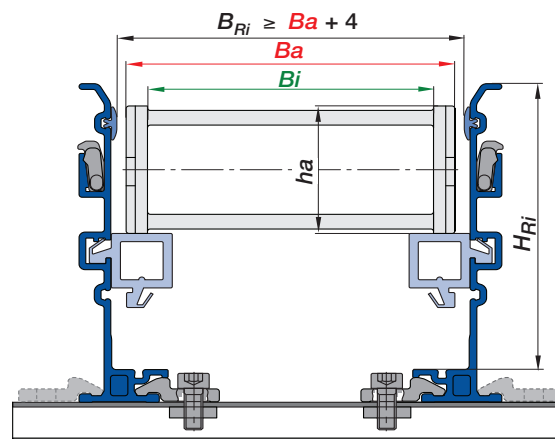
be obtained for almost all igus® E-Chains®. **Important: When assembling the trough parts, the following points must be given particular attention:**

- Properly align all trough parts upon installation
- All screw heads should be flush with the trough
- Smooth levelled transition between the end of the E-Chain® and the glide bars
- Solid connection with the glide surface.

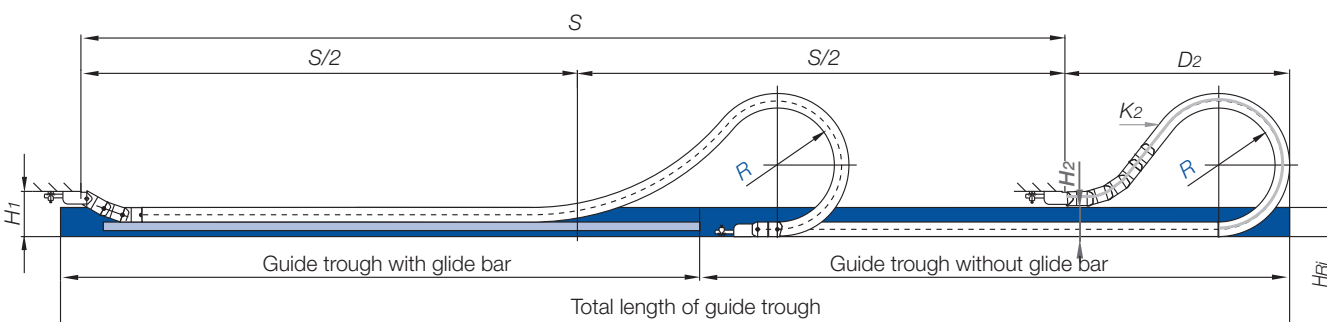
**These points must be observed when using assembly-friendly igus® guide troughs.**



Guide troughs without glide bars - upper run glides on the lower run



Guide troughs with glide bars - From the middle of the travel the upper run glides off on the glide bar



The function of an E-ChainSystem® for gliding applications  
 The fixed end of the E-Chain® is located in the center of the travel distance

Long travels without guide troughs and further guidance possibilities ▶ from page 9.76

Selected guide trough Series	Type	Part No. Aluminium SuperTrough	Optional noise dampening	Optional Heavy Duty	Part No. fixed end module ▶ page 9.16
10/B15.015	E2 mini	970.30.SL, 970.31.SL	–	–	970.80
10/B15.025	E2 mini	970.30.SL, 970.31.SL	–	–	970.80
10/B15.038	E2 mini	970.30.SL, 970.31.SL	–	–	970.80
10/B15.050	E2 mini	970.30.SL, 970.31.SL	–	–	970.80
10/B15.5	E2 mini	970.30.SL, 970.31.SL	–	–	970.80
10/B15.6	E2 mini	970.30.SL, 970.31.SL	–	–	970.80
10/B15.7	E2 mini	970.30.SL, 970.31.SL	–	–	970.80
15.015	Zipper	970.30.SL, 970.31.SL	–	–	970.80
15.025	Zipper	970.30.SL, 970.31.SL	–	–	970.80
15.038	Zipper	970.30.SL, 970.31.SL	–	–	970.80
15.050	Zipper	970.30.SL, 970.31.SL	–	–	970.80
15.5	Zipper	970.30.SL, 970.31.SL	–	–	970.80
15.6	Zipper	970.30.SL, 970.31.SL	–	–	970.80
15.7	Zipper	970.30.SL, 970.31.SL	–	–	970.80
1500	E2/000	970.30.SL, 970.32.SL	–	–	970.80
2500	E2/000	971.30.SL, 971.31.SL	●	●	971.80
2700	E2/000	972.30.SL, 972.32.SL	●	●	972.81
3500	E2/000	973.30.SL, 973.31.SL	●	●	973.80
250	E2 medium	971.30.SL, 971.31.SL	●	●	–
255	E2 medium	971.30.SL, 971.31.SL	●	●	–
27	E2 medium	972.30.SL, 972.32.SL	●	●	–
350	E2 medium	973.30.SL, 973.31.SL	●	●	–
R48	E2 R	971.30.SL, 971.31.SL	●	●	–
R58	E2 R	972.30.SL, 972.32.SL	●	●	–
R68	E2 R	973.30.SL, 973.31.SL	●	●	–
E4.21 (210)	E4.1	970.30.SL, 970.32.SL	–	–	–
E4.28/R4.28	E4.1	972.02.30.SL, 972.02.31.SL	●	●	972.82
E4.32/H4.32/R4.32	E4.1	972.30.SL, 972.31.SL	●	●	972.80
E4.42/H4.42/R4.42	E4.1	973.30.SL, 973.31.SL	●	●	973.81
E4.56/H4.56/R4.56	E4.1	974.30.SL, 974.31.SL	●	●	974.80
E4.80/H4.80/R4.80	E4.1	975.30.SL, 975.31.SL	●	●	975.80
220/R760	E4/00	972.02.30.SL, 972.02.31.SL	●	●	972.82
280/290/R770	E4/00	972.30.SL, 972.31.SL	●	●	972.80
380/390/R780	E4/00	973.30.SL, 973.31.SL	●	●	973.81
400/410/R880	E4/00	974.30.SL, 974.31.SL	●	●	974.80
2828/2928/R7728	E4/4	972.30.SL, 972.31.SL	●	●	972.80
3838/3938/R7838	E4/4	973.30.SL, 973.31.SL	●	●	973.81
4040/4140/R8840	E4/4	974.30.SL, 974.31.SL	●	●	974.80
4040HD/R8840HD	E4/4	974.30.SL, 974.31.SL	●	●	–
5050/5150/R9850	E4/4	975.30.SL, 975.31.SL	●	●	975.80
5050HD/R9850HD	E4/4	975.30.SL, 975.31.SL	●	●	–
14040/14140/R18840	E4/light	974.30.SL, 974.31.SL	●	●	974.81
14240/14340	E4/light	974.30.SL, 974.31.SL	●	●	974.81
15050/15150/R19850	E4/light	975.30.SL, 975.31.SL	●	●	975.81
E6.29/R6.29	E6	971.30.SL, 971.31.SL	●	●	–
E6.35	E6	972.02.30.SL, 972.02.31.SL	●	●	972.82
E6.40/R6.40	E6	972.30.SL, 972.31.SL	●	●	972.80
E6.52/R6.52	E6	973.30.SL, 973.31.SL	●	●	973.81
E6.62	E6	974.30.SL, 974.31.SL	●	●	974.80
E6.80	E6	975.30.SL, 975.31.SL	●	●	975.80

● as option possible – not possible

### A quick fix for mounting the stationary end of an E-Chain®

With this module for the fixed end, fast and easy mounting onto the Aluminum "SuperTrough" is now possible without any drilling. Fast mounting of the E-Chain® by clamping onto the aluminum trough ● Quick relocation of the stationary end ● No drilling necessary

Selected guide trough Series	Type	Part No. Steel guide troughs	Part No. Tubular troughs	Part No. Snap-in troughs	Availability Support tray
10/B15.015	E2 mini	91.10, 91.11**	–	91.930	–
10/B15.025	E2 mini	91.20, 91.21**	–	91.930	–
10/B15.038	E2 mini	91.30, 91.31**	–	91.930	–
10/B15.050	E2 mini	91.40, 91.41**	–	91.930	–
10/B15.5	E2 mini	91.50, 91.51**	–	91.930	–
10/B15.6	E2 mini	91.50, 91.51**	–	91.930	–
10/B15.7	E2 mini	91.50, 91.51**	–	91.930	–
15.015	Zipper	91.10, 91.11**	–	91.930	–
15.025	Zipper	91.20, 91.21**	–	91.930	–
15.038	Zipper	91.30, 91.31**	–	91.930	–
15.050	Zipper	91.40, 91.41**	–	91.930	–
15.5	Zipper	91.50, 91.51**	–	91.930	–
15.6	Zipper	91.50, 91.51**	–	91.930	–
15.7	Zipper	91.50, 91.51**	–	91.930	–
1500	E2/000	92.30, 92.31*	92.70, 92.71	92.930	●
2500	E2/000	92.30, 92.31*	92.70, 92.71	92.930	●
2700	E2/000	95.30, 95.31*	95.70, 95.71	95.930	●
3500	E2/000	93.30, 93.31*	93.70, 93.71	93.930	●
250	E2 medium	92.30, 92.31*	92.70, 92.71	92.930	●
255	E2 medium	92.30, 92.31*	92.70, 92.71	–	●
27	E2 medium	95.30, 95.31*	95.70, 95.71	95.930	●
350	E2 medium	93.30, 93.31*	93.70, 93.71	93.930	●
R58	E2 R	95.30, 95.31*	–	–	–
R68	E2 R	93.30, 93.31*	–	–	–
E4.21 (210)	E4.1	–	–	–	●
E4.28/R4.28	E4.1	99.30, 99.31*	–	–	●
E4.32/H4.32/R4.32	E4.1	97.30, 97.31*	–	–	●
E4.42/H4.42/R4.42	E4.1	93.30, 93.31*	–	–	●
E4.56/H4.56/R4.56	E4.1	94.30, 94.31*	–	–	●
E4.80/H4.80/R4.80	E4.1	96.30, 96.31*	–	–	●
1640/1608	E4.1	98.30, 98.31*	–	–	●
800/840	E4.1	90.30, 90.31*	–	–	–
220/R760	E4/00	99.30, 99.31*	–	–	●
280/290/R770	E4/00	97.30, 97.31*	–	–	●
380/390/R780	E4/00	93.30, 93.31*	–	–	●
400/410/R880	E4/00	94.30, 94.31*	–	–	●
600/601/R608	E4/00	98.30, 98.31*	–	–	–
640	E4/00	98.30, 98.31*	–	–	–
2828/2928/R7728	E4/4	97.30, 97.31*	–	–	●
3838/3938/R7838	E4/4	93.30, 93.31*	–	–	●
4040/4140/R8840	E4/4	94.30, 94.31*	–	–	●
4040HD/R8840HD	E4/4	94.30, 94.31*	–	–	–
5050/5150/R9850	E4/4	96.30, 96.31*	–	–	●
5050HD/R9850HD	E4/4	96.30, 96.31*	–	–	–
14040/14140/R18840	E4/light	94.30, 94.31*	–	–	●
14240/14340	E4/light	94.30, 94.31*	–	–	●
15050/15150/R19850	E4/light	96.30, 96.31*	–	–	●
E6.29/R6.29	E6	92.30, 92.31*	92.70, 92.71	92.930	●
E6.35	E6	99.30, 99.31*	–	–	●
E6.40/R6.40	E6	97.30, 97.31*	–	–	●
E6.52/R6.52	E6	93.30, 93.31*	93.70, 93.71	93.930	●
E6.62	E6	94.30, 94.31*	–	–	●
E6.80	E6	96.30, 96.31*	–	–	●

● Available \*Stainless steel on request \*\*Steel guide troughs, one-piece

A detailed cross-sectional view of a window frame assembly. The central vertical element is a dark, textured frame. To its right is a complex aluminum profile with multiple chambers and a central cavity. This profile is secured to a horizontal base with two cylindrical fasteners. A black plastic component is visible within the frame's cavity, and a roller is positioned at the bottom of the frame. The entire assembly is set against a solid blue background.

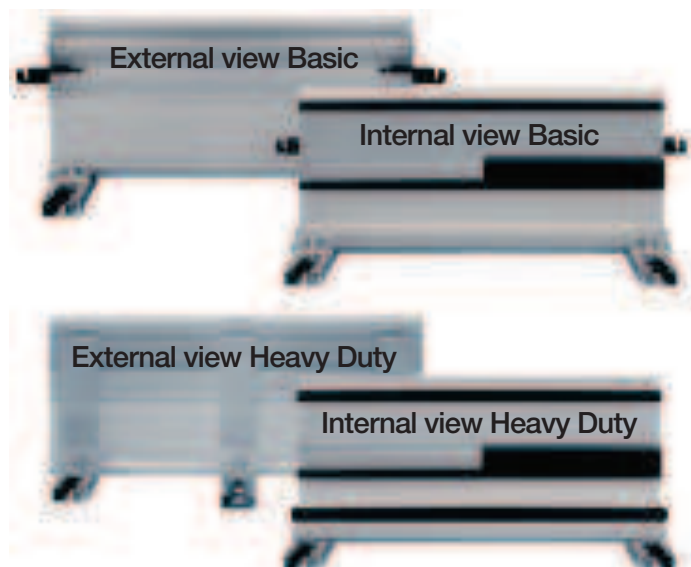
# Alu Super Trough





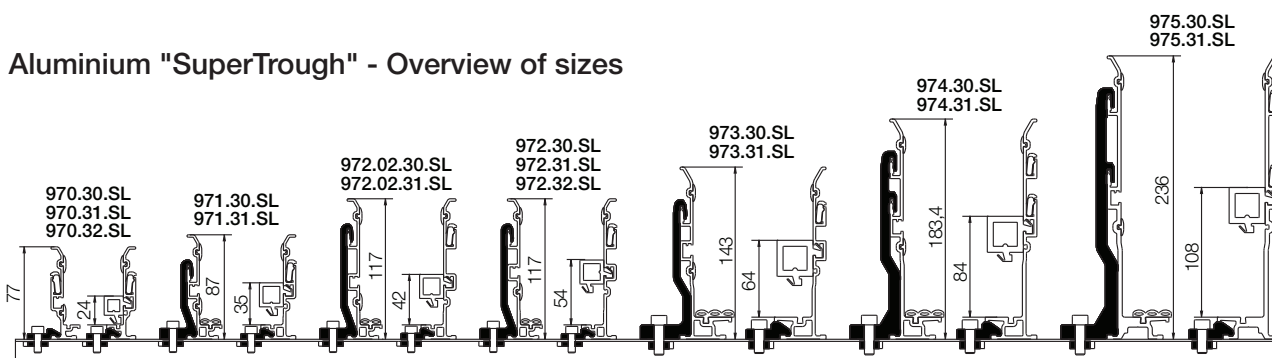
## Aluminium "SuperTrough" - The igus® standard guide trough

- Modular design in two versions - Basic and Heavy Duty
- Very simple, modular assembly
- Side-mounted glide strips for wear protection in high-speed
- Corrosion resistant, seawater resistant aluminium profile
- Flexible assembly - Fastening on substructure independent of profile lengths and butt joints
- Interface connector - Plastic with snap-in connection
- Plastic glide bar made of PE
- Bottom clamp can be mounted -inside or outside- directly on the bottom or on the c-profile
- Glide strips and silencer profile for the minimization of the noise level
- Heavy duty brackets for safe connection also for rough applications
- C-profile for the fixation of the bottom clamp or Heavy duty brackets
- Fixed end module for fast and easy mounting onto the Aluminium "SuperTrough" - without any drilling



Aluminium "SuperTrough" is available in low cost "basic versions" and can be upgraded for heavy duty applications

## Aluminium "SuperTrough" - Overview of sizes



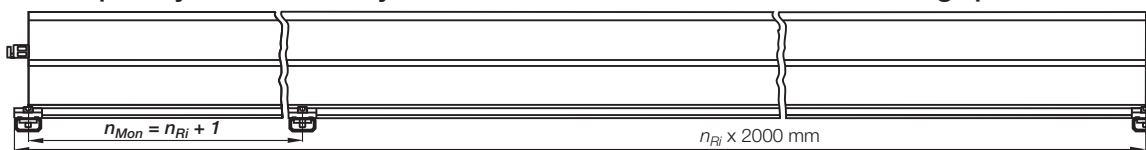
## Super-Alu trough configuration according to your requirements

Assemble the right trough suited for your application quickly and easily

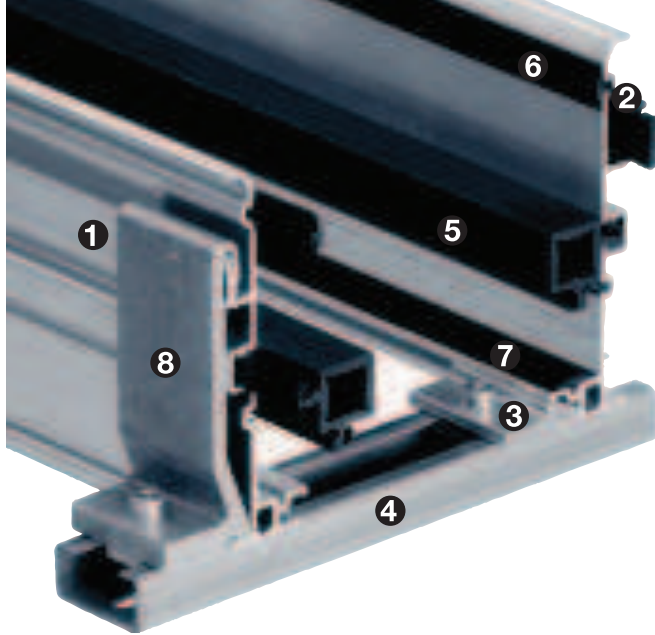
- Selection of the suitable guide trough according to the E-Chain® Series and E-Chain® width  $B_i$  ► [page 9.10](#)
- Determine the feeding point of the cables ► [page 9.9](#)
- Determine travel distance and thus the length of the required guide trough and the number of trough pieces. (Standard length of a trough side plate: 2000 mm). The length of the guide trough - for axial feeding - is calculated from half the travel length **with** and half the travel length **without** the glide bar
- Option: "Sound dampening" with silencer profile ► [page 9.15](#)
- Number and selection of the assembly kit ► [page 9.14/9.15](#):

There are two assembly kit options: Basic (standard), Heavy Duty (for plant construction)

**The quantity of the assembly kit is calculated from the number of the trough pieces + 1 kit:**



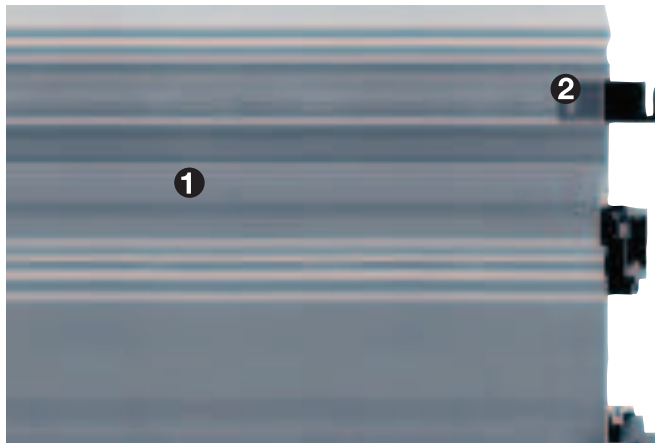
- Selection of the fastening of the assembly kit on the subsurface - igus® C rails option
- If you have opted for an E-Chain® with KMA mounting brackets, we offer you a fixed-end module for the quick and simple fastening of the E-Chain® in the trough without holes ► [page 9.16](#)



## Aluminium "SuperTrough" | Advantages

### Aluminum "Super Trough"- the igus® standard

The Aluminum "SuperTrough" is a modular guide trough system for long travels (when E-Chains® glide on themselves). Aluminum "SuperTrough" is available in low cost "basic versions" and can be upgraded for heavy duty applications. **This modular usage makes it the igus® recommended standard trough system.**

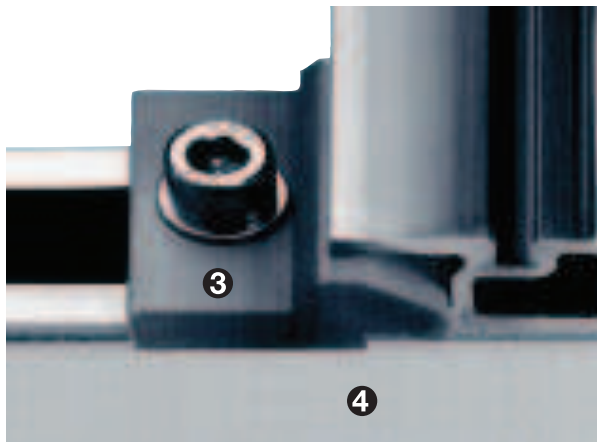


### Huge program

- ① Aluminium profile (Standard: 2 m section)
  - Fitted to the igus® E-Chain® program
  - For almost all igus® E-Chains® available
  - Seawater resistant and corrosion resistant

### Fast connection

- ② Interface connector "Basic"
  - Snap-on polymer connector
  - Easy assembly, no tools needed
  - Simply clipped on firmly in the provided slot



### Simple fastening

- ③ Bottom clamp "Basic"
  - Fast and easy single-bolt assembly
  - Slider attached inwards or outwards, directly to the ground or onto a C-profile
  - Standard assembly kit for igus® Super-Alu troughs
  - Ideal for general mechanical engineering
- ④ C-profile
  - Hold Bottom clamps or heavy duty brackets
  - Available in zinc-plated or stainless steel



### Misalignment-free installation

- Screwing or welding of the profiles not required
- Manifold fastening potentials with bracket, clamping shoe and connectors
- Flexible fastening on substructure independent of profile lengths and butt joints
- No screw heads sticking out inwards
- Even change-over between E-Chain® connection and glide bar

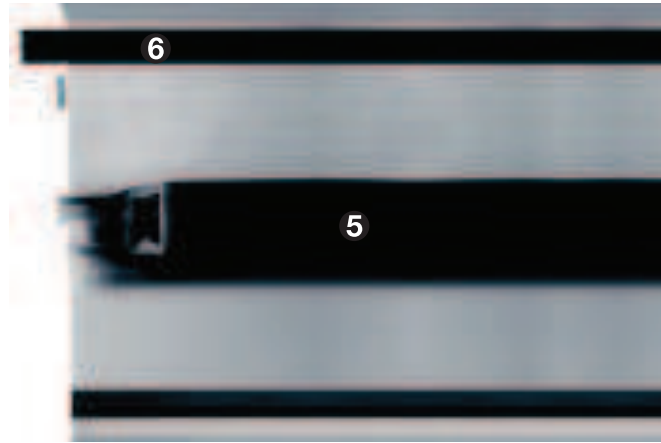
## Wear-reducing

### ⑤ Polymer glide bar

- Easy click-on assembly (tongue and groove), no tools needed
- Even support due to the special slot design
- Glide bars are ideally suited for the E-Chain® material
- Minimum coefficients in terms of friction noise and wear

### ⑥ Glide strip

- Protect from wear on the sides
- Easy click-on assembly (tongue and groove), no tools needed



## Noise-reducing

### ⑦ Silencer profile (add-on item)

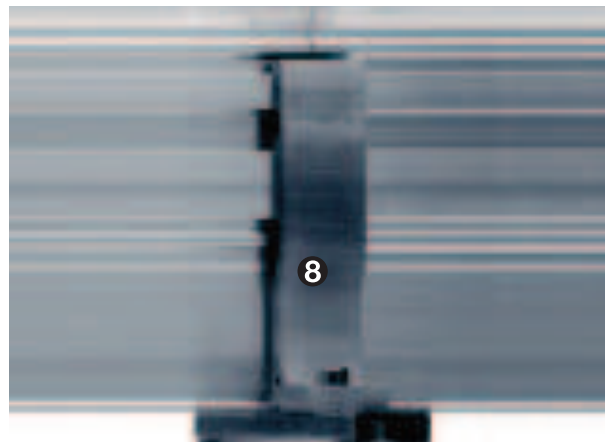
- Rubber profile insert for additional noise reduction
- Excellent wear and sound values when applied with igus® E-Chain® systems: In combination with optimized igus® roller E-Chain® and "dampening profile" of the Super-Alu trough, a distinct reduction in noise reduction of 9.0 dB (A) is evident
- Can be optionally ordered



## Heavy stress

### ⑧ Heavy duty bracket (add-on item)

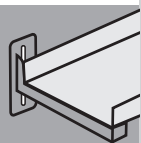
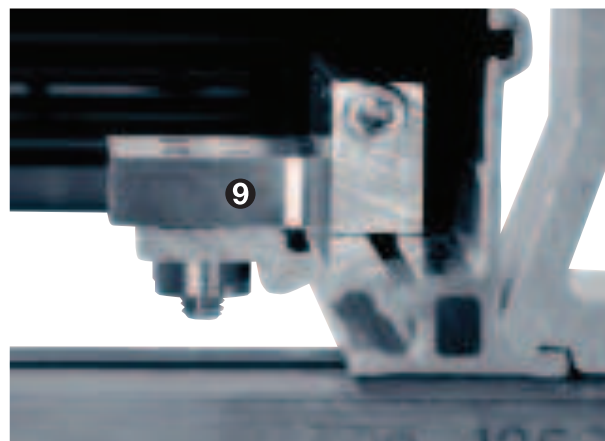
- Safe grip for heavy duty operation
- Easy tongue and groove assembly
- Attached directly to ground or to C-profiles
- Can be optionally ordered

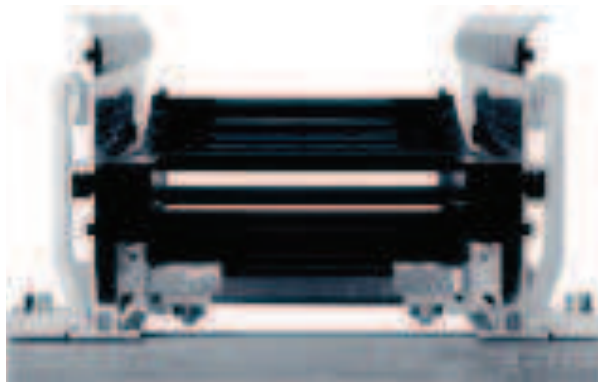


## Simple connection to the E-Chain®

### ⑨ Fixed end module

- Quick assistance while fastening of the E-Chain® fixed end on the Super-Alu trough
- Fixed end module for fast and easy mounting onto the Aluminium "SuperTrough" - without any drilling
- Can be optionally ordered - Recommended for E-Chain® with KMA mounting bracket in conjunction with igus® Super-Alu trough



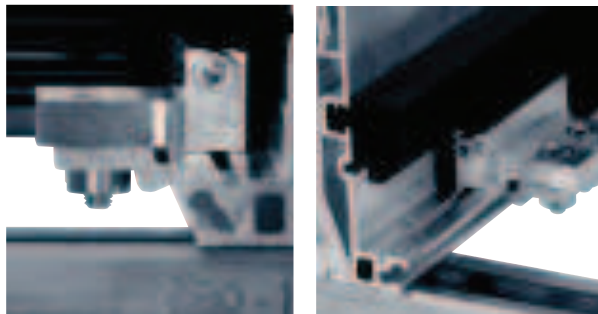
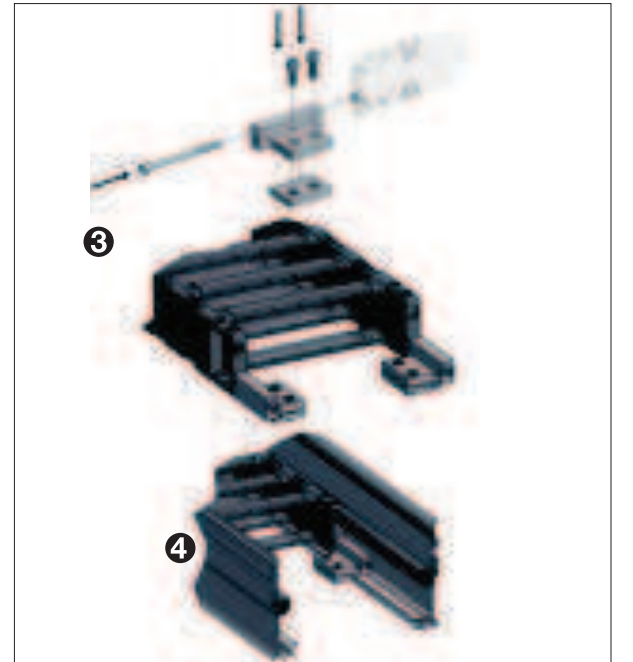
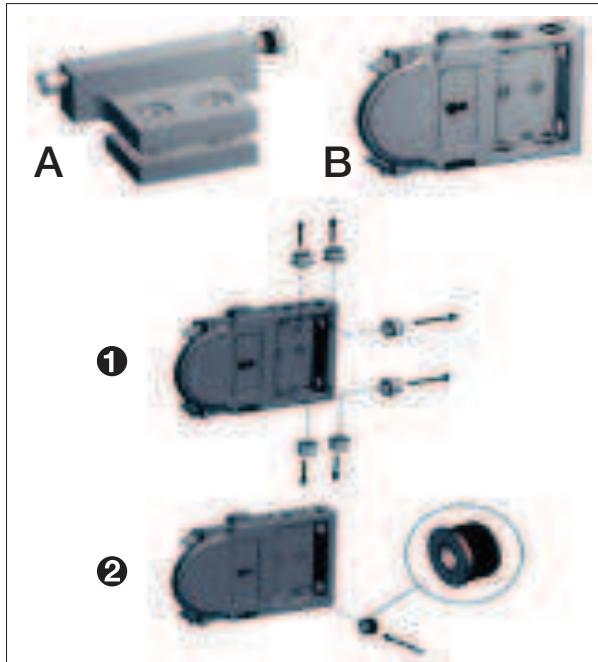


**A quick fix for mounting the stationary end of an E-Chain®**

With this module for the fixed end, fast and easy mounting onto the Alu "SuperTrough" is now possible without any drilling. Fast mounting of the E-Chain® by clamping onto the alu trough ● Quick relocation of the stationary end ● No drilling necessary

**Installation - A) Fixed-end module, B) KMA mounting bracket**

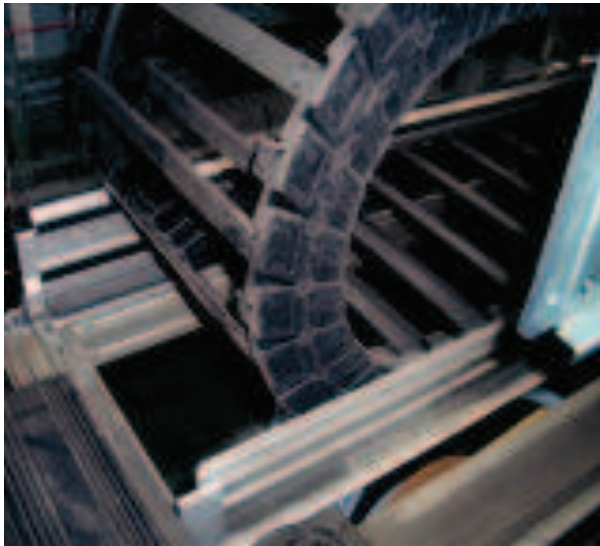
- ❶ Removing the preassembled metal bushings
- ❷ Use of threaded bushings
- ❸ Installation fixed-end module
- ❹ Mounting on Super-Alu trough



Fixed-end module - Simple fastening of the E-Chain® without drilling

Part No.	For Aluminum-SuperTrough	For Series	Application including Inner width (Bi)	Mounting Bracket
970.80	970.30.SL / 970.31.SL	10, B15, 15/R15, 1500	.025	one-piece
971.80	971.30.SL / 971.31.SL	2500	.07	KMA
972.82	972.02.30.SL / 972.02.31.SL	E4.28/R4.28, 220/R760, E6.35	.06	KMA
972.81	972.30.SL / 972.32.SL	2700	.06	KMA
972.80	972.30.SL / 972.31.SL	E4.32/H4.32/R4.32, 280/290/R770, 2828/2928/R7728, E6.40/R6.40	.06	KMA
973.81	973.30.SL / 973.31.SL	E4.42/H4.42/R4.42, 380/390/R780, 3838/3938/R7838, E6.52/R6.52	.10	KMA
973.80	973.30.SL / 973.31.SL	3500	.100	KMA
974.81	974.30.SL / 974.31.SL	14040/14140/R18840, 14240/14340	.10	KMA
974.80	974.30.SL / 974.31.SL	E4.56/H4.56/R4.56, 400/410/R880, 4040/4140/R8840, E6.62	.10	KMA
975.80	975.30.SL / 975.31.SL	E4.80/H4.80/R4.80, 5050/5150/R9850, E6.80	.10	KMA
975.81	975.30.SL / 975.31.SL	15050/15150/R19850	.10	

Material assembly kits: Aluminum AlMg3, seawater resistant. Material screw kits: Standard steel, galvanized. Also available in stainless steel 1.4571 as an option: e.g. 974.80.E4

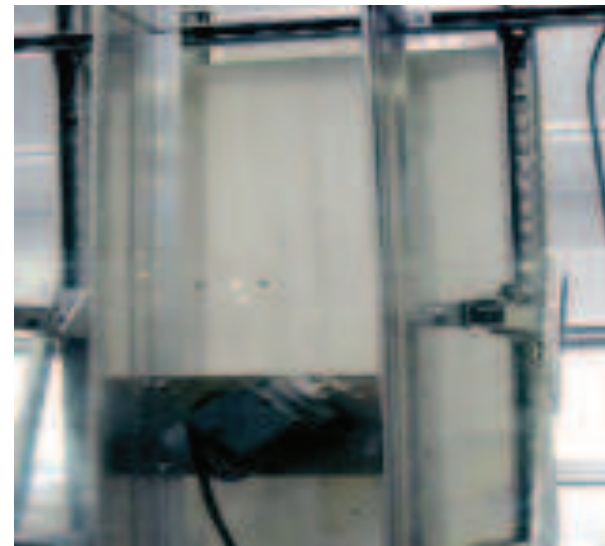


The igus® Super-Alu trough has been used in test setups since 2005.

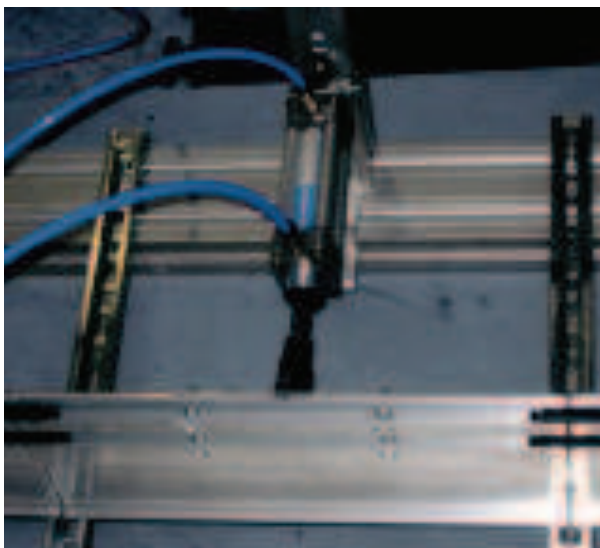
Test setup "Axis 1": Speed 1.5 m/s, Travel: 18 m, Mileage so far: about 50,000 km (test runs since 2005)



Test - Glide strips minimize wear after 1.653.187 cycles, 4.300 km

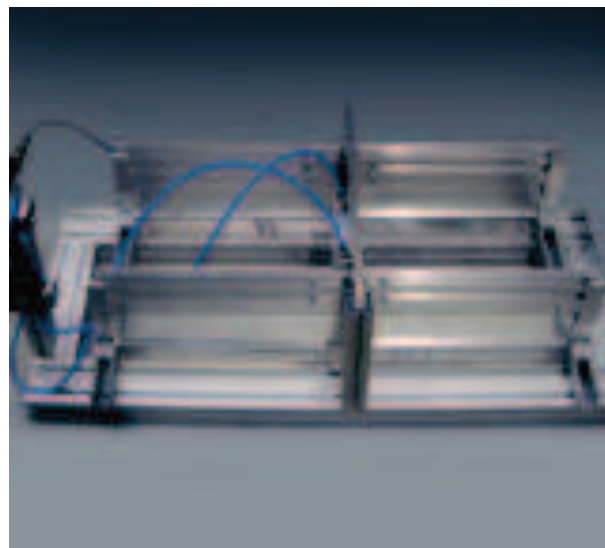


Vibration test: No shifting of trough sections after 108.000.000 rotations at 658 rpm.

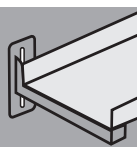


Test - Interface connector

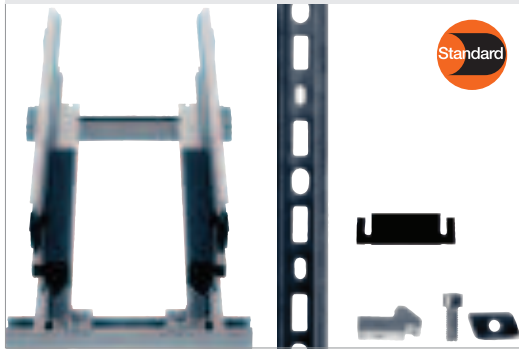
- Push/pull force of 350N
- 9.890.000 cycles without shifting of the connector



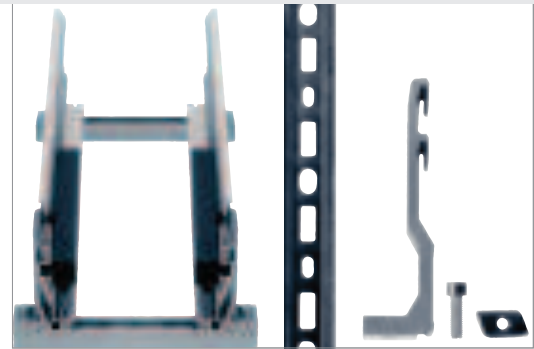
Alternating push- and pull force of 400N is induced on 2 trough side parts, with no deformation after 1.700.000 cycles



Installation sets | Basic and Heavy Duty



Installation set Basic



Installation set Heavy Duty

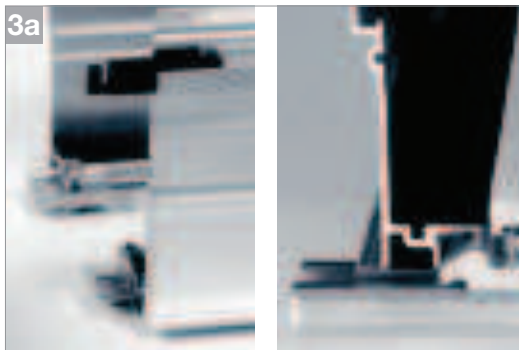
Pre-assembly of installation set | Basic - The Standard!



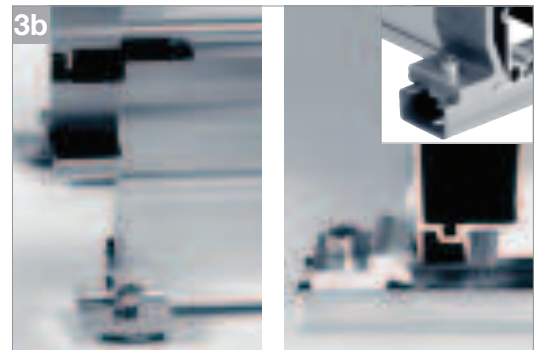
1 Pre-assemble the clamping shoe and the screw kit



2 Clip in polymer connector on both sides of the designated support



3a Fasten Basic assembly set Basic inside



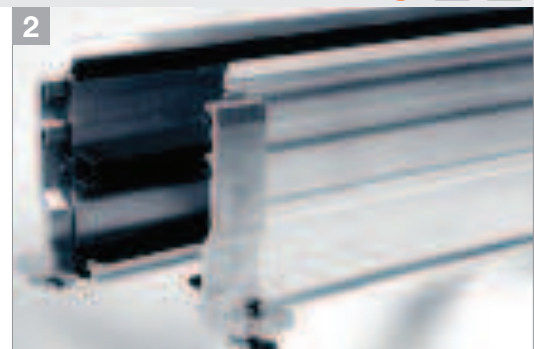
3b Fasten Basic assembly set Basic outside

(Check stability of the fixing). Please note: half the length of the assembly set and connector must protrude out of the trough. The glide nut should be well fastened in the C-profile

Pre-assembly of installation set | Heavy Duty (alternative)



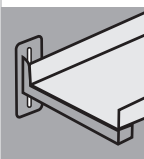
1 Pre-assembly heavy duty bracket and screw set



2 Fasten Heavy Duty assembly set outside.

Please note: half the length of the assembly set and connector must protrude out of the trough





**Assembly** | Adding the rubber profile (optional)



Cut the rubber profile in accordance to the length of the trough (standard 2 m) and press it into the designated groove. (Pictured: Left and right sides are the same. To be repeated for each trough section.)

**Connecting** | Trough sections



- ❶ Join the sides of the trough side parts by pushing them together (min. +2 mm gap!)
- ❷ + ❸ The pre-assembled parts join each trough section centrally

**Adjusting the tolerance** | Aligning trough sections



- ❶ Adjust by the necessary minimum "E-Chain"/trough" tolerance of 2 mm on both sides. Please note: the inner width  $B_{R1}$  of the trough decreases 2 mm per side with the assembled glide strip (pictured)
- ❷ Test to ensure the E-Chain® runs problem free and with low friction in the channel
- ❸ After adjusting the minimum tolerance and alignment of all trough sections, please pull tight all screw tight all trough connections. Pay attention thereby to the correct installation direction of the sliding nut (see detail) Starting torque of the assembly set's fixing bolts: M6: 10 Nm / M8: 23 Nm.

**Tools for the assembling of the SuperTrough**

- Pictogram aid: Hand
- Pictogram aid: Rubber hammer
- Pictogram aid: Hexagonal wrench
- Pictogram aid: Ruler

- ⚠ Please consider health & safety regulations while handling sheet metals. We recommend using protective
- Category II gloves to protect against cuts when handling the aluminium profiles.



You can find an assembly video on the web ► [www.igus.de/de/SALU\\_assembly](http://www.igus.de/de/SALU_assembly)



For the following  
E-Chains®/E-Tubes:

System E2 Series

● 10

● B15

Zipper Series

● 15/R15

$B_a$  = Outer E-Chain® width  
 $B_i$  = Inner E-Chain® width  
 $h_a$  = E-Chain® outer height  
 $H_{Ri}$  = Inner trough height  
 $H_{Ra}$  = Outer trough height  
 $B_{Ri}$  = Inner trough width ▶ depends on dim.  $B_a$   
 $B_{Ra}$  = Outer trough width

!  $H_{Ri} \geq 2 \cdot h_a$   
■  $B_{Ri} \geq B_a + 4$

- = Guide trough
- = Glide bar
- = Installation set "Basic"
- = C-profile



Calculation - travel  
center mounted

Half travel length, rounded down to full 2 m sections = X m guide trough length without glide bars + X m guide trough length with glide bars + installation sets "Basic" (number of trough pieces + 1)

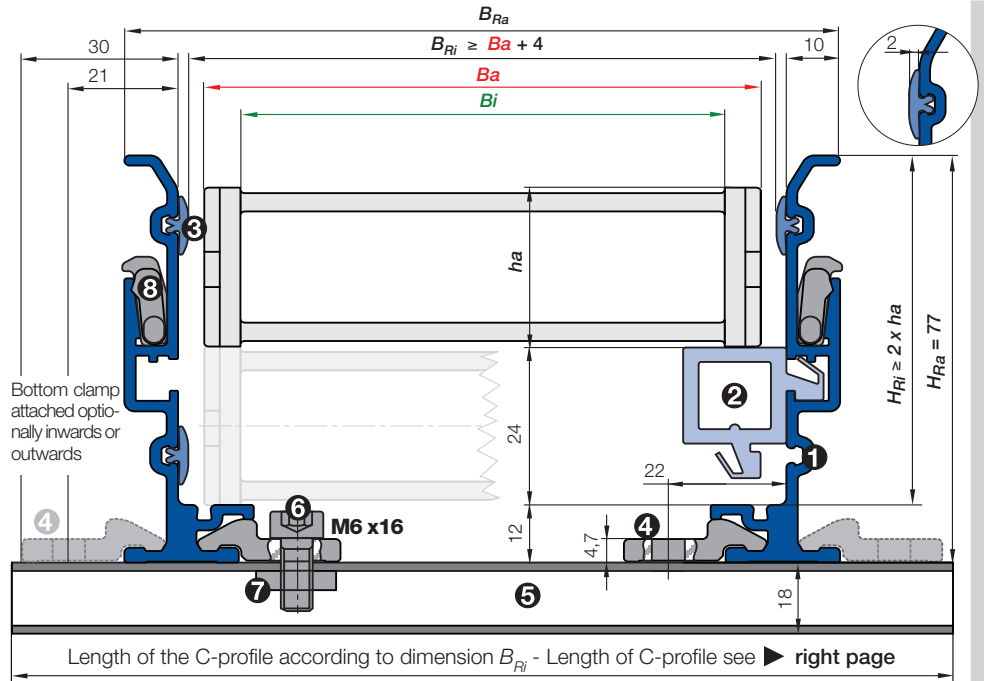
Supplement Part No. with the indicated C-profile-length-index.

Example: 960.30.125

C-profile length-index for your chosen trough inner width  $B_{Ri}$  ▶ see table on the right or the respective page for chosen series



Fixed end module - A quick fix for mounting the stationary end of an E-Chain® ▶ page 9.16



- Components, trough "Basic": ① Trough side parts, aluminum, 2 m ② Glide bar, plastic, 2 m ③ Glide strips, plastic, 2 m (without glide strips on request)
- Components, installation set "Basic": ④ Bottom clamp, aluminum ⑤ C-profile, steel galvanized ⑥ Screw M6 x16 ⑦ Sliding nut M6 ⑧ Interface connector, plastic

### Basic version: Aluminum "SuperTrough" components

Complete guide trough sets - description	Part No.	Weight	kg
① Set of 2 trough side parts, incl. glide strips, without glide bars, 2 m section	970.30.SL	≈ 4,20 kg	
① Set of 2 trough side parts, incl. glide strips, with glide bars, 2 m section	970.31.SL	≈ 4,90 kg	
1 Installation set "Basic" without C-profile	960.30	≈ 0,06 kg	
1 Installation set "Basic" with C-profile	960.30.		
Single parts - description			
③ 1 Glide strip, individual, 2 m section	75.01	≈ 0,06 kg	
④ 1 Bottom clamp, individual	75.40	≈ 0,03 kg	
⑧ 1 Interface connector, individual	75.60		
⑥ 1 Screw M6 x 16, individual	MAT 0040209		
⑦ 1 Sliding nut M6, individual	MAT 0040057		
② 1 Glide bar, individual, 2 m section	82.79	≈ 0,42 kg	
⑤ 1 C-profile, individual	92.52.	≈ 0,90 kg/m	



### Order example: Length of travel 30 m - Center mounted for Series 10.5.038.0 with $B_{Ri} = 80$

Guide trough set (set of 2 trough side parts, incl. glide strips) <b>without</b> glide bar	
<b>Order text: 16 m guide trough without glide bar (8 x 2 m sections)</b>	<b>Part No. 970.30.SL</b>
Guide trough set (set of 2 trough side parts, incl. glide strips) <b>with</b> glide bar	
<b>Order text: 16 m guide trough with glide bar (8 x 2 m sections)</b>	<b>Part No. 970.31.SL</b>
Installation set "Basic" complete (guide trough-sets + 1)	
<b>Order text: 17 installation sets "Basic"</b>	<b>Part No. 960.30.125</b>
Module for the fixed end	
<b>Order text: 1 set</b>	<b>Part No. 970.80</b>
<b>Option:</b> For an additional noise dampening with silencer profile, please add Index A Example:	<b>Part No. 970.30.SLA</b>



Lengths of C-profile for Basic version - Bottom clamp attached optionally **inwards** or **outwards**

10				B15				15				R15			
10.5.038.0				B15.5.038.0				15.5.038.0				R15.025.100.0			
$B_{Ri}$ [mm]	Part No. attached inwards	Part No. attached outwards		$B_{Ri}$ [mm]	Part No. attached inwards	Part No. attached outwards		$B_{Ri}$ [mm]	Part No. attached inwards	Part No. attached outwards		$B_{Ri}$ [mm]	Part No. attached inwards	Part No. attached outwards	
.015	30	*	960.30.125	.015	30	*	960.30.125	.015	30	*	960.30.125	.025	40	*	960.30.150
.025	40	*	960.30.150	.025	40	*	960.30.150	.025	40	*	960.30.150	.038	80	*	960.30.150
.038	53	*	960.30.150	.038	53	*	960.30.150	.038	53	*	960.30.150	.063	80	*	960.30.175
.050	65	960.30.125	960.30.175	.050	65	960.30.125	960.30.175	.050	65	960.30.125	960.30.175	.080	98	960.30.150	960.30.200
.5	80	960.30.125	960.30.175	.5	80	960.30.125	960.30.175	.5	80	960.30.125	960.30.175				
.6	98	960.30.150	960.30.200	.6	98	960.30.150	960.30.200	.6	98	960.30.150	960.30.200				
.7	117	960.30.175	960.30.225	.7	117	960.30.175	960.30.225	.7	117	960.30.175	960.30.225				

\*upon request

- For the following  
E-Chains®/E-Tubes:
- System E2 Series
    - 1500
  - System E4 Series
    - E4.21 (210)

$B_a$  = Outer E-Chain® width  
 $B_i$  = Inner E-Chain® width  
 $h_a$  = E-Chain® outer height  
 $H_{Ri}$  = Inner trough height  
 $H_{Ra}$  = Outer trough height  
 $B_{Ri}$  = Inner trough width ▶ depends on dim.  $B_a$   
 $B_{Ra}$  = Outer trough width

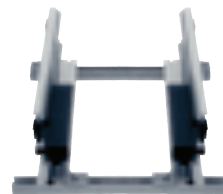
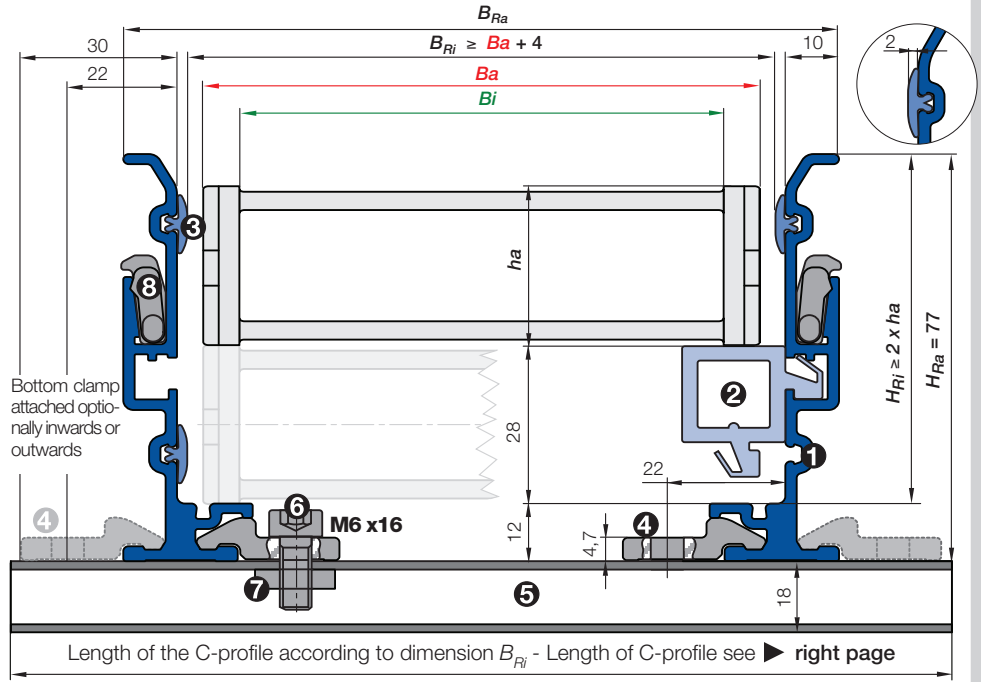
$H_{Ri} \geq 2 \cdot h_a$   
 $B_{Ri} \geq B_a + 4$

- = Guide trough
- = Glide bar
- = Installation set "Basic"
- = C-profile

**Calculation - travel center mounted**

Half travel length, rounded down to full 2 m sections = **X m guide trough length without glide bars** + **X m guide trough length with glide bars** + **installation sets "Basic"** (number of trough pieces + 1)

Supplement Part No. with the indicated C-profile-length-index.  
**Example: 960.30.125**  
 C-profile length-index for your chosen trough inner width  $B_{Ri}$  ▶ see table on the right or the respective page for chosen series



- **Components, trough "Basic":** ① Trough side parts, aluminum, 2 m ② Glide bar, plastic, 2 m ③ Glide strips, plastic, 2 m (without glide strips on request)
- **Components, installation set "Basic":** ④ Bottom clamp, aluminum ⑤ C-profile, steel galvanized ⑥ Screw M6 x16 ⑦ Sliding nut M6 ⑧ Interface connector, plastic

**Basic version: Aluminum "SuperTrough" components**

Complete guide trough sets - description	Part No.	Weight	kg
① Set of 2 trough side parts, incl. glide strips, without glide bars, 2 m section	970.30.SL	≈ 4,20 kg	
① Set of 2 trough side parts, incl. glide strips, with glide bars, 2 m section	970.32.SL	≈ 5,00 kg	
1 Installation set "Basic" without C-profile	960.30	≈ 0,06 kg	
1 Installation set "Basic" with C-profile	960.30.		
Single parts - description			
③ 1 Glide strip, individual, 2 m section	75.01	≈ 0,06 kg	
④ 1 Bottom clamp, individual	75.40	≈ 0,03 kg	
⑧ 1 Interface connector, individual	75.60		
⑥ 1 Screw M6 x 16, individual	MAT 0040209		
⑦ 1 Sliding nut M6, individual	MAT 0040057		
② 1 Glide bar, individual, 2 m section	82.79	≈ 0,42 kg	
⑤ 1 C-profile, individual	92.52.	≈ 0,90 kg/m	



**Order example: Length of travel 30 m - Center mounted for Series E4.21.050.100.0 with  $B_{Ri} = 68$**

Guide trough set (set of 2 trough side parts, incl. glide strips) **without** glide bar

<b>Order text: 16 m guide trough without glide bar (8 x 2 m sections)</b>	<b>Part No.</b>	<b>970.30.SL</b>
---	-----------------	------------------

Guide trough set (set of 2 trough side parts, incl. glide strips) **with** glide bar

<b>Order text: 16 m guide trough with glide bar (8 x 2 m sections)</b>	<b>Part No.</b>	<b>970.32.SL</b>
--	-----------------	------------------

Installation set "Basic" complete (guide trough-sets + 1)

<b>Order text: 17 installation sets "Basic"</b>	<b>Part No.</b>	<b>960.30.125</b>
---	-----------------	-------------------

**Option:** For an additional noise dampening with silencer profile, please add Index A Example:

	<b>Part No.</b>	<b>970.30.SLA</b>
--	-----------------	-------------------

## Lengths of C-profile for Basic version - Bottom clamp attached optionally **inwards** or **outwards**

### 1500

1500.050.035.0

$B_{Ri}$ [mm]	Part No. attached inwards	Part No. attached outwards
.015 33	*	960.30.125
.020 38	*	960.30.125
.025 43	*	960.30.150
.038 56	*	960.30.150
.050 68	960.30.125	960.30.175
.068 86	960.30.150	960.30.175
.080 98	960.30.150	960.30.200
.100 118	960.30.175	960.30.225
.125 143	960.30.200	960.30.250

### E4.21 (210)

E4.21.080.100.0

$B_{Ri}$ [mm]	Part No. attached inwards	Part No. attached outwards
.030 48	*	960.30.150
.040 58	960.30.125	960.30.150
.050 68	960.30.125	960.30.175
.060 78	960.30.125	960.30.175
.070 88	960.30.150	960.30.175
.080 98	960.30.150	960.30.200
.100 118	960.30.175	960.30.225
.120 138	960.30.200	960.30.225

\*upon request

- For the following E-Chains®/E-Tubes:
- System E2 Series
    - 2500
    - 255
  - System E2 E-Tubes
    - R48
  - System E6 Series
    - E6.29/R6.29
  - E2 medium classic
    - 250 classic

$B_a$  = Outer E-Chain® width  
 $B_i$  = Inner E-Chain® width  
 $h_a$  = E-Chain® outer height  
 $H_{Ri}$  = Inner trough height  
 $H_{Ra}$  = Outer trough height  
 $B_{Ri}$  = Inner trough width  $\blacktriangleright$  depends on dim.  $B_a$   
 $B_{Ra}$  = Outer trough width

$H_{Ri} \geq 2 \cdot h_a$   
 $B_{Ri} \geq B_a + 4$

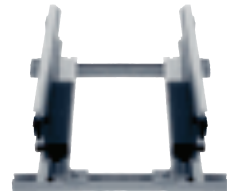
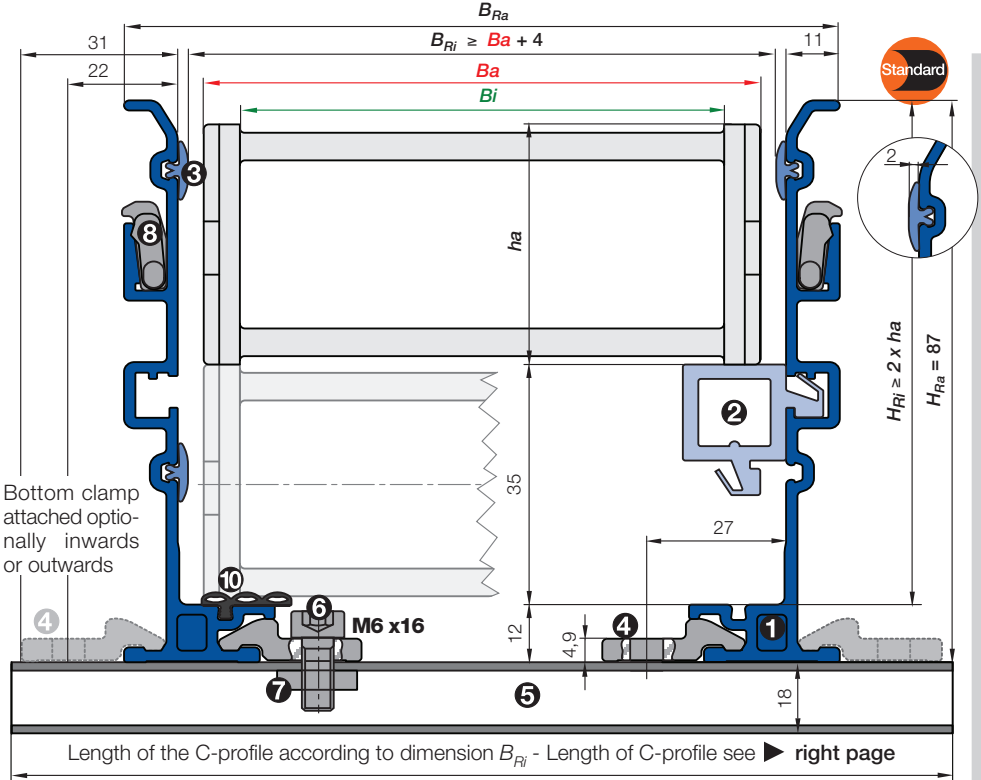
- = Guide trough
- = Glide bar
- = Installation set "Basic"
- = C-profile

**Calculation - travel center mounted**

Half travel length, rounded down to full 2 m sections = **X m guide trough length without glide bars** + **X m guide trough length with glide bars** + **installation sets "Basic"** (number of trough pieces + 1)

Supplement Part No. with the indicated C-profile-length-index.  
**Example: 960.30.150**  
 C-profile length-index for your chosen trough inner width  $B_{Ri}$   $\blacktriangleright$  see table on the right or the respective page for chosen series

**Fixed end module** - A quick fix for mounting the stationary end of an E-Chain®  $\blacktriangleright$  [page 9.16](#)



- **Components, trough "Basic":** ① Trough side parts, aluminum, 2 m ② Glide bar, plastic, 2 m ③ Glide strips, plastic, 2 m (without glide strips on request) ⑩ Optional: Silencer profile, rubber
- **Components, installation set "Basic":** ④ Bottom clamp, aluminum ⑤ C-profile, steel galvanized ⑥ Screw M6 x16 ⑦ Sliding nut M6 ⑧ Interface connector, plastic

**Basic version: Aluminum "SuperTrough" components**

Complete guide trough sets - description	Part No.	Weight	kg
① Set of 2 trough side parts, incl. glide strips, without glide bars, 2 m section	971.30.SL	≈ 5,00 kg	
① Set of 2 trough side parts, incl. glide strips, with glide bars, 2 m section	971.31.SL	≈ 6,40 kg	
1 Installation set "Basic" without C-profile	960.30	≈ 0,06 kg	
1 Installation set "Basic" with C-profile	960.30.		
Single parts - description			
③ 1 Glide strip, individual, 2 m section	75.01	≈ 0,06 kg	
⑩ 1 Silencer profile, rubber, individual, 2 m section	75.67.H		
④ 1 Bottom clamp, individual	75.40	≈ 0,03 kg	
⑧ 1 Interface connector, individual	75.60		
⑥ 1 Screw M6 x 16, individual	MAT 0040209		
⑦ 1 Sliding nut M6, individual	MAT 0040057		
② 1 Glide bar, individual, 2 m section	82.79	≈ 0,60 kg	
⑤ 1 C-profile, individual	92.52.	≈ 0,90 kg/m	

**Order example: Length of travel 30 m - Center mounted for Series 2500.07.200.0 with  $B_{Ri} = 97$**

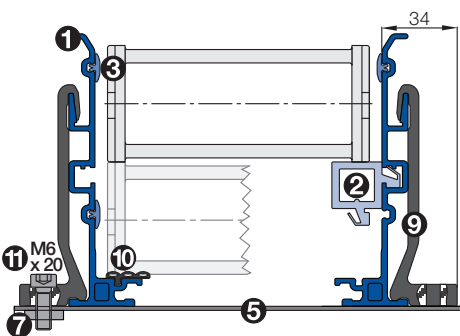
- Guide trough set (set of 2 trough side parts, incl. glide strips) **without** glide bar  
**Order text: 16 m guide trough without glide bar (8 x 2 m sections) Part No. 971.30.SL**
- Guide trough set (set of 2 trough side parts, incl. glide strips) **with** glide bar  
**Order text: 16 m guide trough with glide bar (8 x 2 m sections) Part No. 971.31.SL**
- Installation set "Basic" complete (guide trough-sets + 1)  
**Order text: 17 installation sets "Basic" Part No. 960.30.150**
- Module for the fixed end  
**Order text: 1 set Part No. 971.80**
- Option:** For an additional noise dampening with silencer profile, please add Index A Example:  
**Part No. 971.30.SLA**

## Lengths of C-profile for Basic version - Bottom clamp attached optionally **inwards** or **outwards**

2500				255				E6.29/R6.29				R48			
2500.02.200.0				255.03.200.0				E6.29.030.100.0				48.050.100.0			
$B_{Ri}$ [mm]	Part No. attached inwards	Part No. attached outwards		$B_{Ri}$ [mm]	Part No. attached inwards	Part No. attached outwards		$B_{Ri}$ [mm]	Part No. attached inwards	Part No. attached outwards		$B_{Ri}$ [mm]	Part No. attached inwards	Part No. attached outwards	
.02	45	*	960.30.150	.03	58	*	960.30.150	.030	50	*	960.30.150	.025	40	*	960.30.150
.03	58	*	960.30.150	.05	77	960.30.125	960.30.175	.040	60	*	960.30.175	.050	65	*	960.30.175
.05	77	960.30.125	960.30.175	.07	97	960.30.150	960.30.200	.050	70	*	960.30.175	.075	90	960.30.150	960.30.200
.07	97	960.30.150	960.30.200	.10	123	960.30.175	960.30.225	.060	80	960.30.150	960.30.175	.100	115	960.30.175	960.30.225
.09	109	960.30.175	960.30.225					.070	90	960.30.150	960.30.200	.130	145	960.30.200	960.30.250
.10	123	960.30.175	960.30.225					.080	100	960.30.150	960.30.200				
.12	145	960.30.200	960.30.250					.090	110	960.30.175	960.30.225				
								.100	120	960.30.175	960.30.225				
								.110	130	960.30.200	960.30.225				
								.120	140	960.30.200	960.30.250				

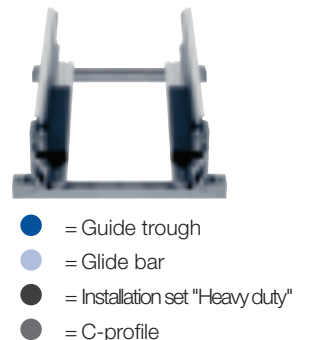
\*upon request

## "Heavy Duty" Version | Installation set Part No. 971.50



- **Components, trough "Heavy Duty":** ① Trough side parts, aluminum, 2 m ② Glide bar, plastic, 2 m ③ Glide strips, plastic 2 m (without glide strips on request) ⑩ Optional: Silencer profile, rubber
- **Components, installation set "Heavy Duty":** ⑤ C-profile, steel galvanized ⑦ Sliding nut M6 ⑨ Heavy duty bracket, aluminum ⑪ Screw M6 x 20

**Note:** Dimensions similar to Basic version!  
**Exception:** Heavy duty bracket, see drawing



Insert for the installation set "Heavy-Duty": **971.50.XXX** instead of **960.30.XXX** on the right column "attached outwards"

**"Heavy Duty" installation set Part No. 971.50.150**

! The inner width of the guide through and the length of the C-Profile of the assembly kit can differ according to the bracket you choose. Please call us!



For the following  
E-Chains®/E-Tubes:

System E4 Series

- E4.28/R4.28
- 220/R760

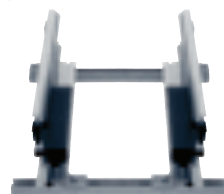
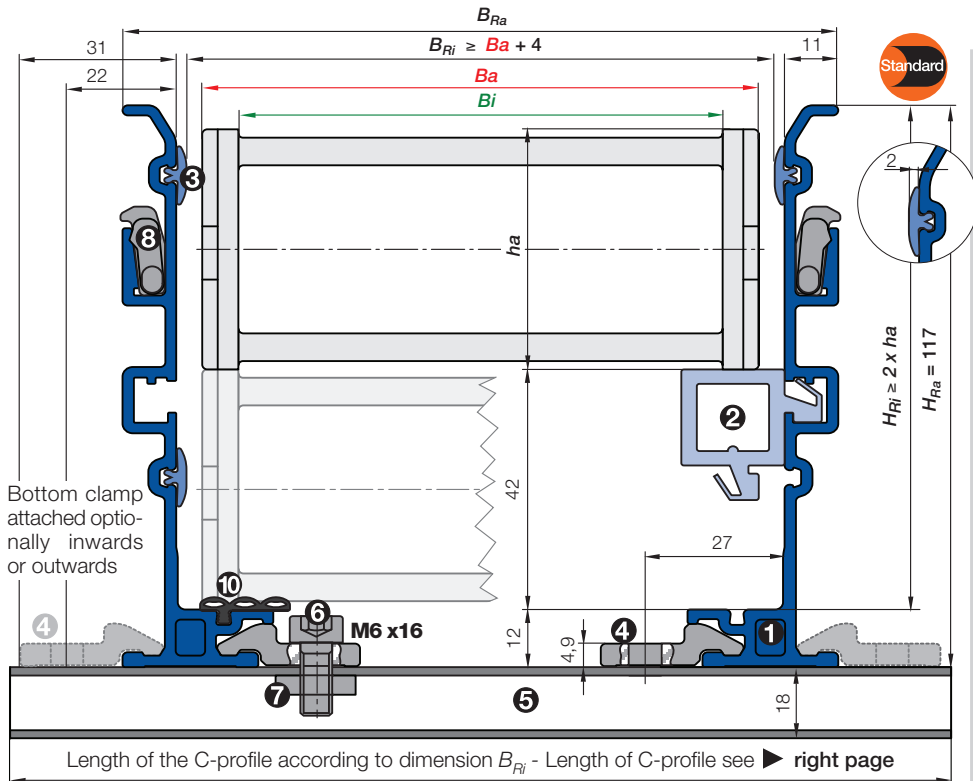
System E6 Series

- E6.35

$B_a$  = Outer E-Chain® width  
 $B_i$  = Inner E-Chain® width  
 $h_a$  = E-Chain® outer height  
 $H_{Ri}$  = Inner trough height  
 $H_{Ra}$  = Outer trough height  
 $B_{Ri}$  = Inner trough width  
 depends on dim.  $B_a$   
 $B_{Ra}$  = Outer trough width

!  $H_{Ri} \geq 2 \cdot h_a$   
 ■  $B_{Ri} \geq B_a + 4$

- = Guide trough
- = Glide bar
- = Installation set "Basic"
- = C-profile



- **Components, trough "Basic":** 1 Trough side parts, aluminum, 2 m 2 Glide bar, plastic, 2 m 3 Glide strips, plastic, 2 m (without glide strips on request) 10 Optional: Silencer profile, rubber
- **Components, installation set "Basic":** 4 Bottom clamp, aluminum 5 C-profile, steel galvanized 6 Screw M6 x16 7 Sliding nut M6 8 Interface connector, plastic

### Basic version: Aluminum "SuperTrough" components

Complete guide trough sets - description	Part No.	Weight	kg
1 Set of 2 trough side parts, incl. glide strips, without glide bars, 2 m section	972.02.30.SL	≈ 6,00 kg	
1 Set of 2 trough side parts, incl. glide strips, with glide bars, 2 m section	972.02.31.SL	≈ 7,40 kg	
1 Installation set "Basic" without C-profile	960.30	≈ 0,06 kg	
1 Installation set "Basic" with C-profile	960.30.		
Single parts - description			
3 1 Glide strip, individual, 2 m section	75.01	≈ 0,06 kg	
10 1 Silencer profile, rubber, individual, 2 m section	75.67.H		
4 1 Bottom clamp, individual	75.40	≈ 0,03 kg	
8 1 Interface connector, individual	75.60		
6 1 Screw M6 x 16, individual	MAT 0040209		
7 1 Sliding nut M6, individual	MAT 0040057		
2 1 Glide bar, individual, 2 m section	82.79	≈ 0,60 kg	
5 1 C-profile, individual	92.52.	≈ 0,90 kg/m	



### Order example: Length of travel 30 m - Center mounted for Series E6.35.100.055.0 with $B_{Ri} = 124$

Guide trough set (set of 2 trough side parts, incl. glide strips) **without** glide bar  
**Order text: 16 m guide trough without glide bar (8 x 2 m sections)** Part No. 972.02.30.SL

Guide trough set (set of 2 trough side parts, incl. glide strips) **with** glide bar  
**Order text: 16 m guide trough with glide bar (8 x 2 m sections)** Part No. 972.02.31.SL

Installation set "Basic" complete (guide trough-sets + 1)  
**Order text: 17 installation sets "Basic"** Part No. 960.30.175

Module for the fixed end  
**Order text: 1 set** Part No. 972.82

**Option:** For an additional noise dampening with silencer profile, please add Index A Example: Part No. 972.02.30.SLA



### Calculation - travel center mounted

Half travel length, rounded down to full 2 m sections = X m guide trough length without glide bars + X m guide trough length with glide bars + installation sets "Basic" (number of trough pieces + 1)

Supplement Part No. with the indicated C-profile-length-index.

**Example:** 960.30.175

C-profile length-index for your chosen trough inner width  $B_{Ri}$  ▶ see table on the right or the respective page for chosen series



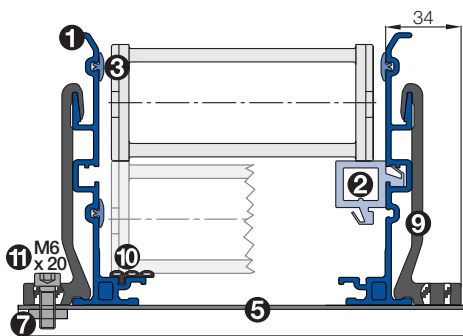
**Fixed end module** - A quick fix for mounting the stationary end of an E-Chain® ▶ page 9.16

## Lengths of C-profile for Basic version - Bottom clamp attached optionally inwards or outwards

E4.28/R4.28			220/R760			E6.35		
E4.28.070.250.0			220.070.250.0			E6.35.100.063.0		
$B_{Ri}$ [mm]	Part No. attached inwards	Part No. attached outwards	$B_{Ri}$ [mm]	Part No. attached inwards	Part No. attached outwards	$B_{Ri}$ [mm]	Part No. attached inwards	Part No. attached outwards
.040 64	*	960.30.175	.040 64	*	960.30.175	.030 54	*	960.30.150
.050 74	960.30.125	960.30.175	.050 74	960.30.125	960.30.175	.040 64	*	960.30.175
.062 86	960.30.150	960.30.200	.062 86	960.30.150	960.30.200	.050 74	960.30.125	960.30.175
.070 94	960.30.150	960.30.200	.070 94	960.30.150	960.30.200	.060 84	960.30.150	960.30.200
.075 99	960.30.150	960.30.200	.075 99	960.30.150	960.30.200	.070 94	960.30.150	960.30.200
.087 111	960.30.175	960.30.225	.087 111	960.30.175	960.30.225	.080 104	960.30.150	960.30.200
.100 124	960.30.175	960.30.225	.100 124	960.30.175	960.30.225	.090 114	960.30.175	960.30.225
.125 149	960.30.200	960.30.250	.125 149	960.30.200	960.30.250	.100 124	960.30.175	960.30.225
.150 174	960.30.225	960.30.275	.150 174	960.30.225	960.30.275	.110 134	960.30.200	960.30.250
.175 199	960.30.250	960.30.300	.175 199	960.30.250	960.30.300	.120 144	960.30.200	960.30.250
.200 224	960.30.275	960.30.325	.200 224	960.30.275	960.30.325			
.225 249	960.30.300	960.30.350	.225 249	960.30.300	960.30.350			
.250 274	960.30.325	960.30.375	.250 274	960.30.325	960.30.375			
.275 299	960.30.350	960.30.400	.275 299	960.30.350	960.30.400			
.300 324	960.30.375	960.30.425	.300 324	960.30.375	960.30.425			

\*upon request

## "Heavy Duty" Version | Installation set Part No. 972.50



- **Components, trough "Heavy Duty":** ① Trough side parts, aluminum, 2 m ② Glide bar, plastic, 2 m ③ Glide strips, plastic 2 m (without glide strips on request) ⑩ Optional: Silencer profile, rubber
- **Components, installation set "Heavy Duty":** ⑤ C-profile, steel galvanized ⑦ Sliding nut M6 ⑨ Heavy duty bracket, aluminum ⑪ Screw M6 x 20

**Note:** Dimensions similar to Basic version!  
**Exception:** Heavy duty bracket, see drawing



- = Führungsrippen-Set
- = Gleitschiene
- = Montageset "Heavy duty"
- = C-Profil

Insert for the installation set "Heavy-Duty": **972.50.XXX** instead of **960.30.XXX** on the right column "attached outwards"

**"Heavy Duty" installation set Part No. 972.50.150**

! The inner width of the guide through and the length of the C-Profile of the assembly kit can differ according to the bracket you choose. Please call us!

For the following  
E-Chains®/E-Tubes:

**System E4 Series**

- E4.32/H4.32/R4.32
- 280/290/R770
- 2828/2928/R7728

**System E6 Series**

- E6.40/R6.40

$B_a$  = Outer E-Chain® width  
 $B_i$  = Inner E-Chain® width  
 $h_a$  = E-Chain® outer height  
 $H_{Ri}$  = Inner trough height  
 $H_{Ra}$  = Outer trough height  
 $B_{Ri}$  = Inner trough width ▶ depends on dim.  $B_a$   
 $B_{Ra}$  = Outer trough width

**!**  $H_{Ri} \geq 2 \cdot h_a$   
**■**  $B_{Ri} \geq B_a + 4$

- = Guide trough
- = Glide bar
- = Installation set "Basic"
- = C-profile

**Calculation - travel center mounted**

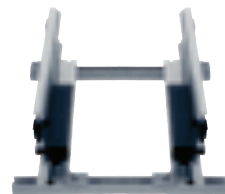
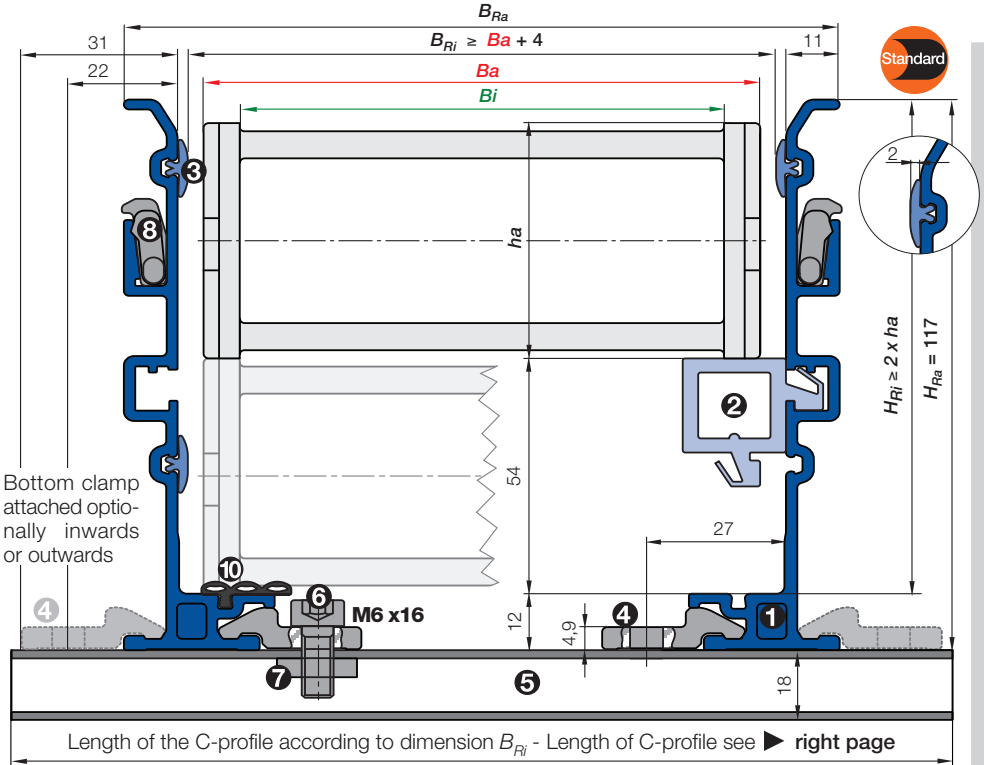
Half travel length, rounded down to full 2 m sections = **X m guide trough length without glide bars** + **X m guide trough length with glide bars** + **installation sets "Basic"** (number of trough pieces + 1)

Supplement Part No. with the indicated C-profile-length-index.

**Example: 960.30.150**

C-profile length-index for your chosen trough inner width  $B_{Ri}$  ▶ see table on the right or the respective page for chosen series

**Fixed end module** - A quick fix for mounting the stationary end of an E-Chain® ▶ **page 9.16**



- **Components, trough "Basic":** ① Trough side parts, aluminum, 2 m ② Glide bar, plastic, 2 m ③ Glide strips, plastic, 2 m (without glide strips on request) ⑩ Optional: Silencer profile, rubber
- **Components, installation set "Basic":** ④ Bottom clamp, aluminum ⑤ C-profile, steel galvanized ⑥ Screw M6 x16 ⑦ Sliding nut M6 ⑧ Interface connector, plastic

**Basic version: Aluminum "SuperTrough" components**

Complete guide trough sets - description	Part No.	Weight	kg
① Set of 2 trough side parts, incl. glide strips, without glide bars, 2 m section	972.30.SL	≈ 6,00 kg	
① Set of 2 trough side parts, incl. glide strips, with glide bars, 2 m section	972.31.SL	≈ 7,40 kg	
1 Installation set "Basic" without C-profile	960.30	≈ 0,06 kg	
1 Installation set "Basic" with C-profile	960.30.		
Single parts - description			
③ 1 Glide strip, individual, 2 m section	75.01	≈ 0,06 kg	
⑩ 1 Silencer profile, rubber, individual, 2 m section	75.67.H		
④ 1 Bottom clamp, individual	75.40	≈ 0,03 kg	
⑧ 1 Interface connector, individual	75.60		
⑥ 1 Screw M6 x 16, individual	MAT 0040209		
⑦ 1 Sliding nut M6, individual	MAT 0040057		
② 1 Glide bar, individual, 2 m section	82.79	≈ 0,60 kg	
⑤ 1 C-profile, individual	92.52.	≈ 0,90 kg/m	

**Order example: Length of travel 30 m - Center mounted for Series E4.32.07.200.0 with  $B_{Ri} = 102$**

Guide trough set (set of 2 trough side parts, incl. glide strips) <b>without</b> glide bar	<b>Order text: 16 m guide trough without glide bar (8 x 2 m sections)</b>	<b>Part No.</b>	<b>972.30.SL</b>
Guide trough set (set of 2 trough side parts, incl. glide strips) <b>with</b> glide bar	<b>Order text: 16 m guide trough with glide bar (8 x 2 m sections)</b>	<b>Part No.</b>	<b>972.31.SL</b>
Installation set "Basic" complete (guide trough-sets + 1)	<b>Order text: 17 installation sets "Basic"</b>	<b>Part No.</b>	<b>960.30.150</b>
Module for the fixed end	<b>Order text: 1 set</b>	<b>Part No.</b>	<b>972.80</b>
<b>Option:</b> For an additional noise dampening with silencer profile, please add Index A Example:		<b>Part No.</b>	<b>972.30.SLA</b>

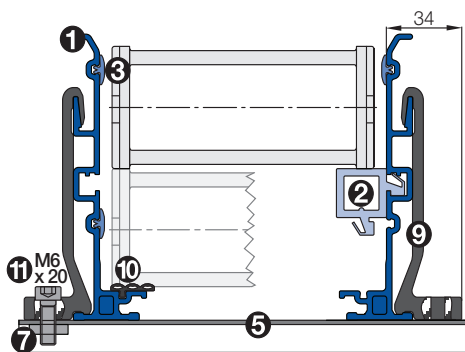


## Lengths of C-profile for Basic version - Bottom clamp attached optionally inwards or outwards

E4.32/H4.32/R4.32				280/290/R770				2828/2928/R7728				E6.40/R6.40			
E4.32.05.200.0				280.05.200.0				2828.05.200.0				E6.40.040.063.0			
$B_{Ri}$ [mm]	Part No. attached inwards	Part No. attached outwards		$B_{Ri}$ [mm]	Part No. attached inwards	Part No. attached outwards		$B_{Ri}$ [mm]	Part No. attached inwards	Part No. attached outwards		$B_{Ri}$ [mm]	Part No. attached inwards	Part No. attached outwards	
.05	77	960.30.125	960.30.175	.05	77	960.30.125	960.30.175	.05	78	960.30.125	960.30.175	.04	64	*	960.30.175
.06	95	960.30.150	960.30.200	.06	95	960.30.150	960.30.200	.06	96	960.30.150	960.30.200	.05	74	960.30.125	960.30.175
.07	102	960.30.150	960.30.200	.07	102	960.30.150	960.30.200	.07	103	960.30.150	960.30.200	.06	86	960.30.150	960.30.200
.087	114	960.30.175	960.30.225	.087	114	960.30.175	960.30.225	.087	115	960.30.175	960.30.225	.07	94	960.30.150	960.30.200
.10	127	960.30.175	960.30.225	.10	127	960.30.175	960.30.225	.10	128	960.30.175	960.30.225	.075	99	960.30.150	960.30.200
.11	135	960.30.200	960.30.250	.11	135	960.30.200	960.30.250	.11	136	960.30.200	960.30.225	.087	111	960.30.175	960.30.225
.112	140	960.30.200	960.30.250	.112	140	960.30.200	960.30.250	.112	141	960.30.200	960.30.250	.100	124	960.30.175	960.30.225
.12	152	960.30.200	960.30.250	.12	152	960.30.200	960.30.250	.12	153	960.30.200	960.30.250	.125	149	960.30.200	960.30.250
.137	165	960.30.225	960.30.275	.137	165	960.30.225	960.30.275	.137	166	960.30.225	960.30.275	.150	174	960.30.225	960.30.275
.15	177	960.30.225	960.30.275	.15	177	960.30.225	960.30.275	.15	178	960.30.225	960.30.275	.175	199	960.30.250	960.30.300
.162	190	960.30.250	960.30.300	.162	190	960.30.250	960.30.300	.162	191	960.30.250	960.30.300	.200	224	960.30.275	960.30.325
.17	195	960.30.250	960.30.300	.17	195	960.30.250	960.30.300	.17	196	960.30.250	960.30.300	.225	249	960.30.300	960.30.350
.18	202	960.30.250	960.30.300	.18	202	960.30.250	960.30.300	.18	203	960.30.250	960.30.300	.250	274	960.30.325	960.30.375
.187	215	960.30.275	960.30.325	.187	215	960.30.275	960.30.325	.187	216	960.30.275	960.30.325	.275	299	960.30.350	960.30.400
.20	227	960.30.275	960.30.325	.20	227	960.30.275	960.30.325	.20	228	960.30.275	960.30.325	.300	324	960.30.375	960.30.425
.212	240	960.30.300	960.30.350	.212	240	960.30.300	960.30.350	.212	241	960.30.300	960.30.350				
.23	252	960.30.300	960.30.350	.23	252	960.30.300	960.30.350	.23	253	960.30.300	960.30.350				
.237	265	960.30.325	960.30.375	.237	265	960.30.325	960.30.375	.237	266	960.30.325	960.30.375				
.25	277	960.30.325	960.30.375	.25	277	960.30.325	960.30.375	.25	278	960.30.325	960.30.375				
.262	290	960.30.350	960.30.400	.262	290	960.30.350	960.30.400	.262	291	960.30.350	960.30.400				
.28	302	960.30.350	960.30.400	.28	302	960.30.350	960.30.400	.28	303	960.30.350	960.30.400				
.29	315	960.30.375	960.30.425	.29	315	960.30.375	960.30.425	.29	316	960.30.375	960.30.425				
.30	327	960.30.375	960.30.425	.30	327	960.30.375	960.30.425	.30	328	960.30.375	960.30.425				
.312	340	960.30.400	960.30.450	.312	340	960.30.400	960.30.450	.312	341	960.30.400	960.30.450				
.325	352	960.30.400	960.30.450	.325	352	960.30.400	960.30.450	.325	353	960.30.400	960.30.450				
.337	365	960.30.425	960.30.475	.337	365	960.30.425	960.30.475	.337	366	960.30.425	960.30.475				
.350	377	960.30.425	960.30.475	.350	377	960.30.425	960.30.475	.350	378	960.30.425	960.30.475				
.362	390	960.30.450	960.30.500	.362	390	960.30.450	960.30.500	.362	391	960.30.450	960.30.500				
.375	402	960.30.450	960.30.500	.375	402	960.30.450	960.30.500	.375	403	960.30.450	960.30.500				
.387	415	960.30.475	960.30.525	.387	415	960.30.475	960.30.525	.387	416	960.30.475	960.30.525				
.400	427	960.30.475	960.30.525	.400	427	960.30.475	960.30.525	.400	428	960.30.475	960.30.525				

\*upon request

## "Heavy Duty" Version | Installation set Part No. 972.50



- **Components, trough "Heavy Duty":** ① Trough side parts, aluminum, 2 m ② Glide bar, plastic, 2 m ③ Glide strips, plastic 2 m (without glide strips on request) ⑩ Optional: Silencer profile, rubber
- **Components, installation set "Heavy Duty":** ⑤ C-profile, steel galvanized ⑦ Sliding nut M6 ⑨ Heavy duty bracket, aluminum ⑪ Screw M6 x 20

**Note:** Dimensions similar to Basic version!  
**Exception:** Heavy duty bracket, see drawing



- = Guide trough
- = Glide bar
- = Installation set "Heavy duty"
- = C-profile

Insert for the installation set "Heavy-Duty": **972.50.XXX** instead of **960.30.XXX** on the right column "attached outwards"

**"Heavy Duty" installation set Part No. 972.50.150**

! The inner width of the guide through and the length of the C-Profile of the assembly kit can differ according to the bracket you choose. Please call us!

For the following E-Chains®/E-Tubes:

**System E2 Series**

- 2700

**System E2 E-Tubes**

- R58

**E2 medium classic**

- 27 classic

$B_a$  = Outer E-Chain® width  
 $B_i$  = Inner E-Chain® width  
 $h_a$  = E-Chain® outer height  
 $H_{Ri}$  = Inner trough height  
 $H_{Ra}$  = Outer trough height  
 $B_{Ri}$  = Inner trough width ▶ depends on dim.  $B_a$   
 $B_{Ra}$  = Outer trough width

**!**  $H_{Ri} \geq 2 \cdot h_a$   
**■**  $B_{Ri} \geq B_a + 4$

- = Guide trough
- = Glide bar
- = Installation set "Basic"
- = C-profile

**Calculation - travel center mounted**

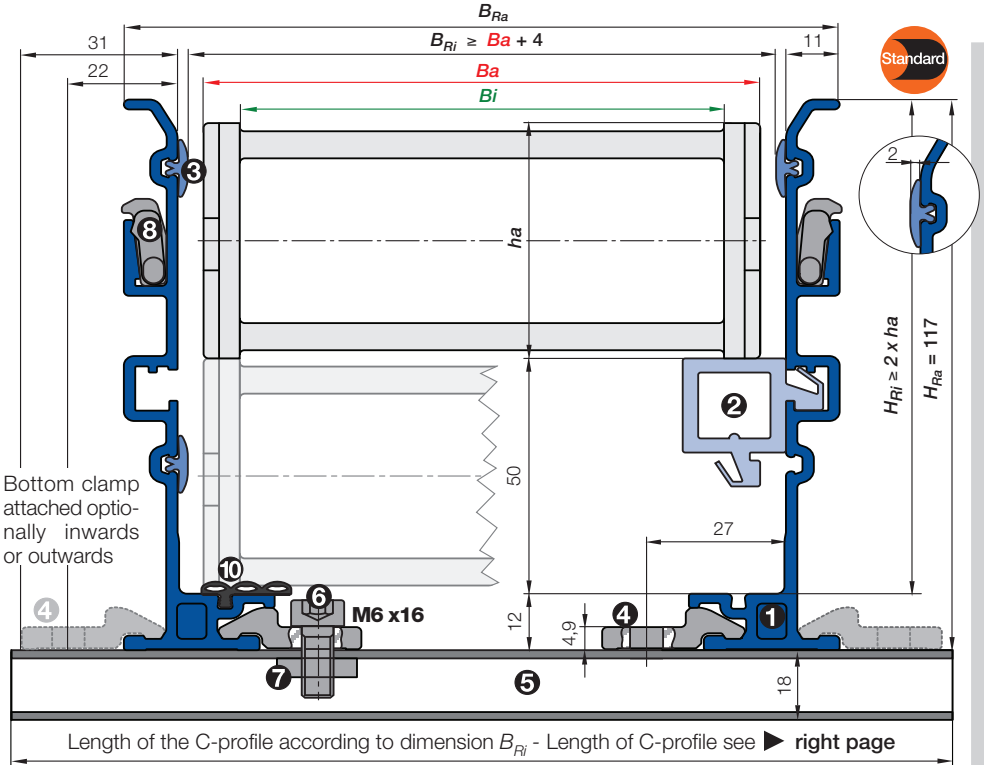
Half travel length, rounded down to full 2 m sections = **X m guide trough length without glide bars** + **X m guide trough length with glide bars** + **installation sets "Basic"** (number of trough pieces + 1)

Supplement Part No. with the indicated C-profile-length-index.

**Example :** 960.30. 150

C-profile length-index for your chosen trough inner width  $B_{Ri}$  ▶ see table on the right or the respective page for chosen series

**Fixed end module** - A quick fix for mounting the stationary end of an E-Chain® ▶ [page 9.16](#)



- **Components, trough "Basic":** ① Trough side parts, aluminum, 2 m ② Glide bar, plastic, 2 m ③ Glide strips, plastic, 2 m (without glide strips on request) ⑩ Optional: Silencer profile, rubber
- **Components, installation set "Basic":** ④ Bottom clamp, aluminum ⑤ C-profile, steel galvanized ⑥ Screw M6 x16 ⑦ Sliding nut M6 ⑧ Interface connector, plastic

**Basic version: Aluminum "SuperTrough" components**

Complete guide trough sets - description	Part No.	Weight	kg
① Set of 2 trough side parts, incl. glide strips, without glide bars, 2 m section	972.30.SL	≈ 6,00 kg	
① Set of 2 trough side parts, incl. glide strips, with glide bars, 2 m section	972.32.SL	≈ 7,40 kg	
1 Installation set "Basic" without C-profile	960.30	≈ 0,06 kg	
1 Installation set "Basic" with C-profile	960.30.		<input type="text"/>
Single parts - description			
③ 1 Glide strip, individual, 2 m section	75.01	≈ 0,06 kg	
⑩ 1 Silencer profile, rubber, individual, 2 m section	75.67.H		
④ 1 Bottom clamp, individual	75.40	≈ 0,03 kg	
⑧ 1 Interface connector, individual	75.60		
⑥ 1 Screw M6 x 16, individual	MAT 0040209		
⑦ 1 Sliding nut M6, individual	MAT 0040057		
② 1 Glide bar, individual, 2 m section	82.79	≈ 0,60 kg	
⑤ 1 C-profile, individual	92.52.	≈ 0,90 kg/m	<input type="text"/>

**Order example: Length of travel 30 m - Center mounted for Series 2700.07.200.0 with  $B_{Ri} = 95$**

Guide trough set (set of 2 trough side parts, incl. glide strips) <b>without</b> glide bar	<b>Order text: 16 m guide trough without glide bar (8 x 2 m sections)</b>	<b>Part No.</b>	<b>972.30.SL</b>
Guide trough set (set of 2 trough side parts, incl. glide strips) <b>with</b> glide bar	<b>Order text: 16 m guide trough with glide bar (8 x 2 m sections)</b>	<b>Part No.</b>	<b>972.32.SL</b>
Installation set "Basic" complete (guide trough-sets + 1)	<b>Order text: 17 installation sets "Basic"</b>	<b>Part No.</b>	<b>960.30. <span style="border: 1px solid black; padding: 0 2px;">150</span></b>
Module for the fixed end	<b>Order text: 1 set</b>	<b>Part No.</b>	<b>972.81</b>
<b>Option:</b> For an additional noise dampening with silencer profile, please add Index A Example:		<b>Part No.</b>	<b>972.30.SLA</b>

## Lengths of C-profile for Basic version - Bottom clamp attached optionally **inwards** or **outwards**

### 2700

2700.05.200.0

$B_{Ri}$ [mm]	Part No. attached inwards	Part No. attached outwards
.05 70	*	960.30.175
.06 85	960.30.150	960.30.200
.07 95	960.30.150	960.30.200
.09 110	960.30.175	960.30.225
.10 120	960.30.175	960.30.225
.12 145	960.30.200	960.30.250
.15 170	960.30.225	960.30.275
.17 198	960.30.250	960.30.300

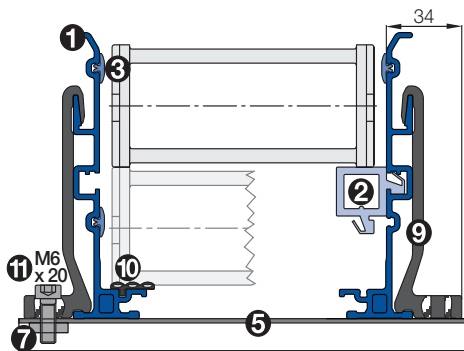
### R58

58.075.200.0

$B_{Ri}$ [mm]	Part No. attached inwards	Part No. attached outwards
.050 70	*	960.30.175
.075 95	960.30.150	960.30.200
.100 120	960.30.175	960.30.225
.125 145	960.30.200	960.30.250
.150 170	960.30.225	960.30.275
.175 195	960.30.250	960.30.300
.200 220	960.30.275	960.30.325

\*upon request

## "Heavy Duty" Version | Installation set Part No. Nr. 972.50



- **Components, trough "Heavy Duty":** ① Trough side parts, aluminum, 2 m ② Glide bar, plastic, 2 m ③ Glide strips, plastic 2 m (without glide strips on request) ⑩ Optional: Silencer profile, rubber
- **Components, installation set "Heavy Duty":** ⑤ C-profile, steel galvanized ⑦ Sliding nut M6 ⑨ Heavy duty bracket, aluminum ⑪ Screw M6 x 20

**Note:** Dimensions similar to Basic version!  
**Exception:** Heavy duty bracket, see drawing



- = Guide trough
- = Glide bar
- = Installation set "Heavy duty"
- = C-profile



Insert for the installation set "Heavy-Duty": **972.50.XXX** instead of **960.30.XXX** on the right column "attached outwards"

**"Heavy Duty" installation set Part No. 972.50. 150**

! The inner width of the guide through and the length of the C-Profile of the assembly kit can differ according to the bracket you choose. Please call us!

For the following E-Chains®/E-Tubes:

- System E2 Series
  - 3500
- System E2 E-Tubes Series
  - R68
- System E4 Series
  - E4.42/H4.42/R4.42
  - 380/390/R780
  - 3838/3938/R7838
- System E6 Series
  - E6.52/R6.52
- E2 medium classic
  - 350 classic

- $B_a$  = Outer E-Chain® width
- $B_i$  = Inner E-Chain® width
- $h_a$  = E-Chain® outer height
- $H_{Ri}$  = Inner trough height
- $H_{Ra}$  = Outer trough height
- $B_{Ri}$  = Inner trough width ▶ depends on dim.  $B_a$
- $B_{Ra}$  = Outer trough width

$H_{Ri} \geq 2 \cdot h_a$   
 $B_{Ri} \geq B_a + 4$

- = Guide trough
- = Glide bar
- = Installation set "Basic"
- = C-profile

**Calculation - travel center mounted**

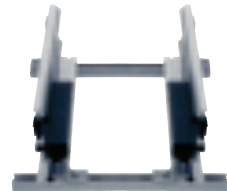
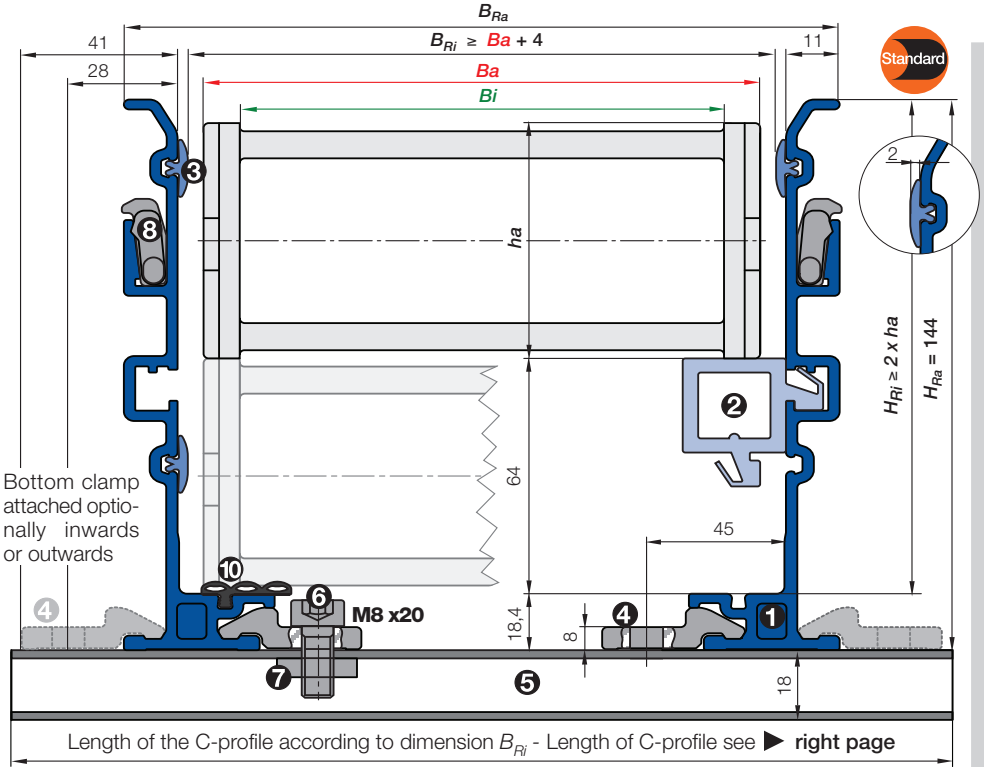
Half travel length, rounded down to full 2 m sections = **X m guide trough length without glide bars** + **X m guide trough length with glide bars** + **installation sets "Basic"** (number of trough pieces + 1)

Supplement Part No. with the indicated C-profile-length-index.

**Example:** 960.40.175

C-profile length-index for your chosen trough inner width  $B_{Ri}$  ▶ see table on the right or the respective page for chosen series

**Fixed end module** - A quick fix for mounting the stationary end of an E-Chain® ▶ [page 9.16](#)



- **Components, trough "Basic":** ① Trough side parts, aluminum, 2 m ② Glide bar, plastic, 2 m ③ Glide strips, plastic, 2 m (without glide strips on request) ⑩ Optional: Silencer profile, rubber
- **Components, installation set "Basic":** ④ Bottom clamp, aluminum ⑤ C-profile, steel galvanized ⑥ Screw M8 x 20 ⑦ Sliding nut M8 ⑧ Interface connector, plastic

**Basic version: Aluminum "SuperTrough" components**

Complete guide trough sets - description	Part No.	Weight	kg
① Set of 2 trough side parts, incl. glide strips, without glide bars, 2 m section	973.30.SL	≈ 8,00 kg	
① Set of 2 trough side parts, incl. glide strips, with glide bars, 2 m section	973.31.SL	≈ 10,8 kg	
1 Installation set "Basic" without C-profile	960.40.	≈ 0,08 kg	
1 Installation set "Basic" with C-profile	960.40.		
Single parts - description			
③ 1 Glide strip, individual, 2 m section	75.01	≈ 0,06 kg	
⑩ 1 Silencer profile, rubber, individual, 2 m section	75.68.H		
④ 1 Bottom clamp, individual	75.50	≈ 0,04 kg	
⑧ 1 Interface connector, individual	75.60		
⑥ 1 Screw M8 x 20, individual	MAT 0040445		
⑦ 1 Sliding nut M8, individual	MAT 0040413		
② 1 Glide bar, individual, 2 m section	83.79	≈ 1,30 kg	
⑤ 1 C-profile, individual	92.52.	≈ 0,90 kg/m	

**Order example: Length of travel 30 m - Center mounted for Series 3500.100.200.0 with  $B_{Ri} = 124$**

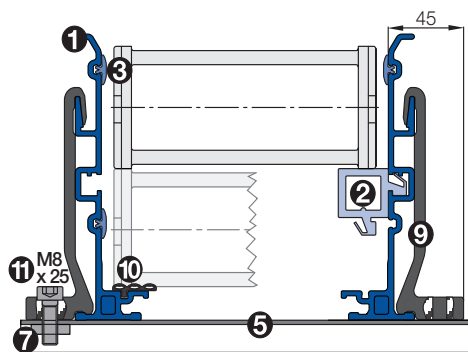
Guide trough set (set of 2 trough side parts, incl. glide strips) <b>without</b> glide bar	<b>Order text:</b> 16 m guide trough without glide bar (8 x 2 m sections)	<b>Part No.</b>	973.30.SL
Guide trough set (set of 2 trough side parts, incl. glide strips) <b>with</b> glide bar	<b>Order text:</b> 16 m guide trough with glide bar (8 x 2 m sections)	<b>Part No.</b>	973.31.SL
Installation set "Basic" complete (guide trough-sets + 1)	<b>Order text:</b> 17 installation sets "Basic"	<b>Part No.</b>	960.40.175
Module for the fixed end	<b>Order text:</b> 1 set	<b>Part No.</b>	973.80
<b>Option:</b> For an additional noise dampening with silencer profile, please add Index A Example:		<b>Part No.</b>	973.30.SLA

## Lengths of C-profile for Basic version - Bottom clamp attached optionally inwards or outwards

3500			E4.42/H4.42/R4.42			380/390/R780			3838/3938/R7838			E6.52/R6.52			
3500.050.200.0			E4.42.05.200.0			380.05.200.0			3838.05.200.0			E6.52.040.200.0			
$B_{Ri}$ [mm]	Part No. attached inwards	Part No. attached outwards	$B_{Ri}$ [mm]	Part No. attached inwards	Part No. attached outwards	$B_{Ri}$ [mm]	Part No. attached inwards	Part No. attached outwards	$B_{Ri}$ [mm]	Part No. attached inwards	Part No. attached outwards	$B_{Ri}$ [mm]	Part No. attached inwards	Part No. attached outwards	
.050	74 *	960.40.200	.05	80 *	960.40.200	.05	80 *	960.40.200	.05	81 *	960.40.200	.040	68 *	960.40.200	
.075	99 *	960.40.225	.06	98 *	960.40.225	.06	98 *	960.40.225	.06	99 *	960.40.225	.050	78 *	960.40.200	
.100	124	960.40.175	960.40.250	.07	105 *	960.40.225	.07	105 *	960.40.225	.07	106 *	960.40.225	.062	90 *	960.40.225
.115	139	960.40.200	960.40.275	.087	118	960.40.175	960.40.250	.087	118	960.40.175	960.40.250	.070	98 *	960.40.225	
.125	149	960.40.200	960.40.275	.10	130	960.40.200	960.40.250	.10	130	960.40.200	960.40.250	.075	103 *	960.40.225	
.150	174	960.40.225	960.40.300	.11	138	960.40.200	960.40.275	.11	138	960.40.200	960.40.275	.087	115 *	960.40.250	
.175	199	960.40.250	960.40.325	.112	143	960.40.200	960.40.275	.112	143	960.40.200	960.40.275	.100	128	960.40.175	960.40.250
.200	224	960.40.275	960.40.350	.12	155	960.40.225	960.40.275	.12	155	960.40.225	960.40.275	.125	153	960.40.200	960.40.275
.225	249	960.40.300	960.40.375	.137	168	960.40.225	960.40.300	.137	168	960.40.225	960.40.300	.150	178	960.40.225	960.40.300
.250	274	960.40.325	960.40.400	.15	180	960.40.250	960.40.300	.15	180	960.40.250	960.40.300	.175	203	960.40.250	960.40.325
				.162	193	960.40.250	960.40.325	.162	193	960.40.250	960.40.325	.200	228	960.40.275	960.40.350
				.17	198	960.40.250	960.40.325	.17	198	960.40.250	960.40.325	.225	253	960.40.300	960.40.375
				.18	205	960.40.275	960.40.325	.18	205	960.40.275	960.40.325	.250	278	960.40.325	960.40.400
				.187	218	960.40.275	960.40.350	.187	218	960.40.275	960.40.350	.275	303	960.40.350	960.40.425
				.20	230	960.40.300	960.40.350	.20	230	960.40.300	960.40.350	.300	328	960.40.375	960.40.450
				.212	243	960.40.300	960.40.375	.212	243	960.40.300	960.40.375				
				.23	255	960.40.325	960.40.375	.23	255	960.40.325	960.40.375				
				.237	268	960.40.325	960.40.400	.237	268	960.40.325	960.40.400				
				.25	280	960.40.350	960.40.400	.25	280	960.40.350	960.40.400				
				.262	293	960.40.350	960.40.425	.262	293	960.40.350	960.40.425				
				.28	305	960.40.375	960.40.425	.28	305	960.40.375	960.40.425				
				.29	318	960.40.375	960.40.450	.29	318	960.40.375	960.40.450				
				.30	330	960.40.400	960.40.450	.30	330	960.40.400	960.40.450				
				.312	343	960.40.400	960.40.475	.312	343	960.40.400	960.40.475				
				.325	355	960.40.425	960.40.475	.325	355	960.40.425	960.40.475				
				.337	368	960.40.425	960.40.500	.337	368	960.40.425	960.40.500				
				.350	380	960.40.450	960.40.500	.350	380	960.40.450	960.40.500				
				.362	393	960.40.450	960.40.525	.362	393	960.40.450	960.40.525				
				.375	406	960.40.475	960.40.525	.375	406	960.40.475	960.40.525				
				.387	418	960.40.475	960.40.550	.387	418	960.40.475	960.40.550				
				.400	430	960.40.500	960.40.550	.400	430	960.40.500	960.40.550				

\*upon request

## "Heavy Duty" Version | Installation set Part No. 973.50



- **Components, trough "Heavy Duty":** ① Trough side parts, aluminum, 2 m ② Glide bar, plastic, 2 m ③ Glide strips, plastic 2 m (without glide strips on request) ⑩ Optional: Silencer profile, rubber
- **Components, installation set "Heavy Duty":** ⑤ C-profile, steel galvanized ⑦ Sliding nut M8 ⑨ Heavy duty bracket, aluminum ⑪ Screw M8 x 25

Note: Dimensions similar to Basic version!  
Exception: Heavy duty bracket, see drawing



- = Guide trough
- = Glide bar
- = Installation set "Heavy duty"
- = C-profile

Insert for the installation set "Heavy-Duty": **973.50.XXX** instead of **960.40.XXX** on the right column "attached outwards"

"Heavy Duty" installation set Part No **973.50.175**

! The inner width of the guide through and the length of the C-Profile of the assembly kit can differ according to the bracket you choose. Please call us!



For the following  
E-Chains®/E-Tubes:

**System E4 Series**

- E4.56/H4.56/R4.56
- 400/410/R880
- 4040/4140/R8840
- 14040/14140/R18840
- 14240/14340

**System E6 Series**

- E6.62

$B_a$  = Outer E-Chain® width  
 $B_i$  = Inner E-Chain® width  
 $h_a$  = E-Chain® outer height  
 $H_{Ri}$  = Inner trough height  
 $H_{Ra}$  = Outer trough height  
 $B_{Ri}$  = Inner trough width ▶ depends on dim.  $B_a$   
 $B_{Ra}$  = Outer trough width

!  $H_{Ri} \geq 2 \cdot h_a$   
 ■  $B_{Ri} \geq B_a + 4$

- = Guide trough
- = Glide bar
- = Installation set "Basic"
- = C-profile



**Calculation - travel center mounted**

Half travel length, rounded down to full 2 m sections = **X m guide trough length without glide bars** + **X m guide trough length with glide bars** + **installation sets "Basic"** (number of trough pieces + 1)

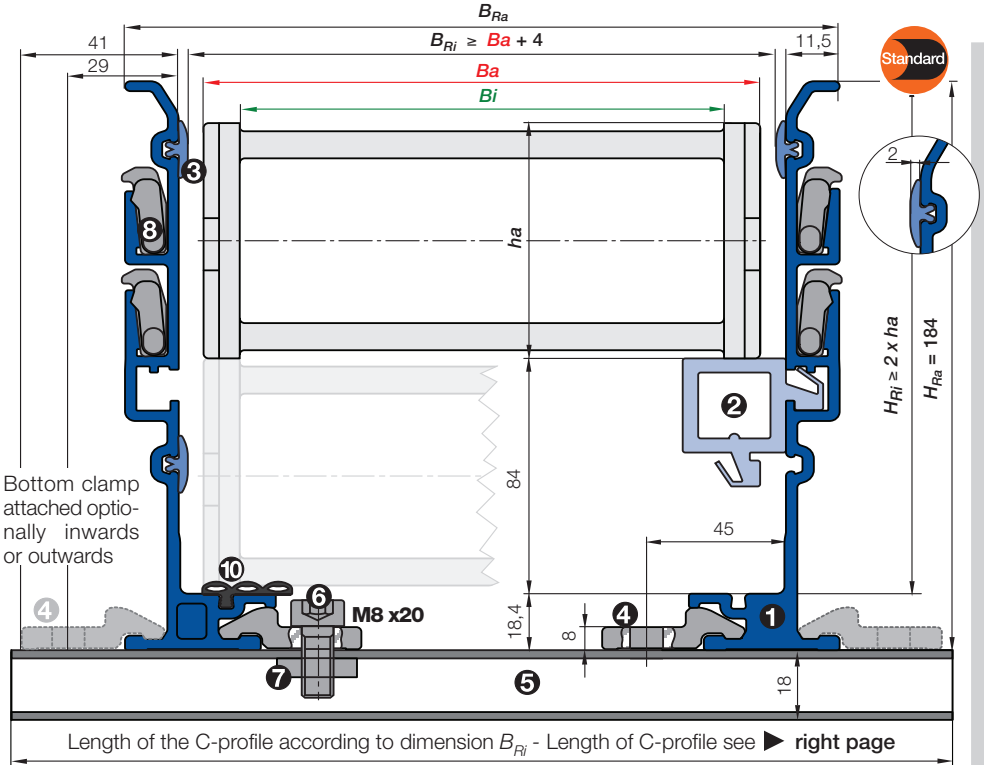
Supplement Part No. with the indicated C-profile-length-index.

**Example: 960.50.200**

C-profile length-index for your chosen trough inner width  $B_{Ri}$  ▶ see table on the right or the respective page for chosen series



**Fixed end module** - A quick fix for mounting the stationary end of an E-Chain® ▶ **page 9.16**



- **Components, trough "Basic":** ① Trough side parts, aluminum, 2 m ② Glide bar, plastic, 2 m ③ Glide strips, plastic, 2 m (without glide strips on request) ⑩ Optional: Silencer profile, rubber
- **Components, installation set "Basic":** ④ Bottom clamp, aluminum ⑤ C-profile, steel galvanized ⑥ Screw M8 x 20 ⑦ Sliding nut M8 ⑧ Interface connector, plastic

**Basic version: Aluminum "SuperTrough" components**

Complete guide trough sets - description	Part No.	Weight	kg
① Set of 2 trough side parts, incl. glide strips, without glide bars, 2 m section	974.30.SL	≈ 10,0 kg	
① Set of 2 trough side parts, incl. glide strips, with glide bars, 2 m section	974.31.SL	≈ 12,8 kg	
1 Installation set "Basic" without C-profile	960.50	≈ 0,08 kg	
1 Installation set "Basic" with C-profile	960.50.		
Single parts - description			
③ 1 Glide strip, individual, 2 m section	75.01	≈ 0,06 kg	
⑩ 1 Silencer profile, rubber, individual, 2 m section	75.68.H		
④ 1 Bottom clamp, individual	75.50	≈ 0,04 kg	
⑧ 1 Interface connector, individual	75.60		
⑥ 1 Screw M8 x 20, individual	MAT 0040445		
⑦ 1 Sliding nut M8, individual	MAT 0040413		
② 1 Glide bar, individual, 2 m section	83.79	≈ 1,30 kg	
⑤ 1 C-profile, individual	92.52.	≈ 0,90 kg/m	



**Order example: Length of travel 30 m - Center mounted for Series E4.56.10.250.0 with  $B_{Ri} = 138$**

Guide trough set (set of 2 trough side parts, incl. glide strips) <b>without</b> glide bar		
<b>Order text: 16 m guide trough without glide bar (8 x 2 m sections)</b>	<b>Part No.</b>	<b>974.30.SL</b>
Guide trough set (set of 2 trough side parts, incl. glide strips) <b>with</b> glide bar		
<b>Order text: 16 m guide trough with glide bar (8 x 2 m sections)</b>	<b>Part No.</b>	<b>974.31.SL</b>
Installation set "Basic" complete (guide trough-sets + 1)		
<b>Order text: 17 installation sets "Basic"</b>	<b>Part No.</b>	<b>960.50.200</b>
Module for the fixed end		
<b>Order text: 1 set</b>	<b>Part No.</b>	<b>974.80</b>
<b>Option:</b> For an additional noise dampening with silencer profile, please add Index A Example:	<b>Part No.</b>	<b>974.30.SLA</b>



For the following  
E-Chains®/E-Tubes:  
System E4 Series  
● 4040HD/R8840HD

We especially recommend for the igus® E4/4 series 4040 HD (Heavy Duty) this trough system. Structurally identical with trough 974.30.SL yet with special HD-installation set, suitable for ambitious applications.

- $B_a$  = Outer E-Chain® width
- $B_i$  = Inner E-Chain® width
- $h_a$  = E-Chain® outer height
- $H_{Ri}$  = Inner trough height
- $H_{Ra}$  = Outer trough height
- $B_{Ri}$  = Inner trough width ▶ depends on dim.  $B_a$
- $B_{Ra}$  = Outer trough width

**!**  $H_{Ri} \geq 2 \cdot h_a$   
**■**  $B_{Ri} \geq B_a + 4$

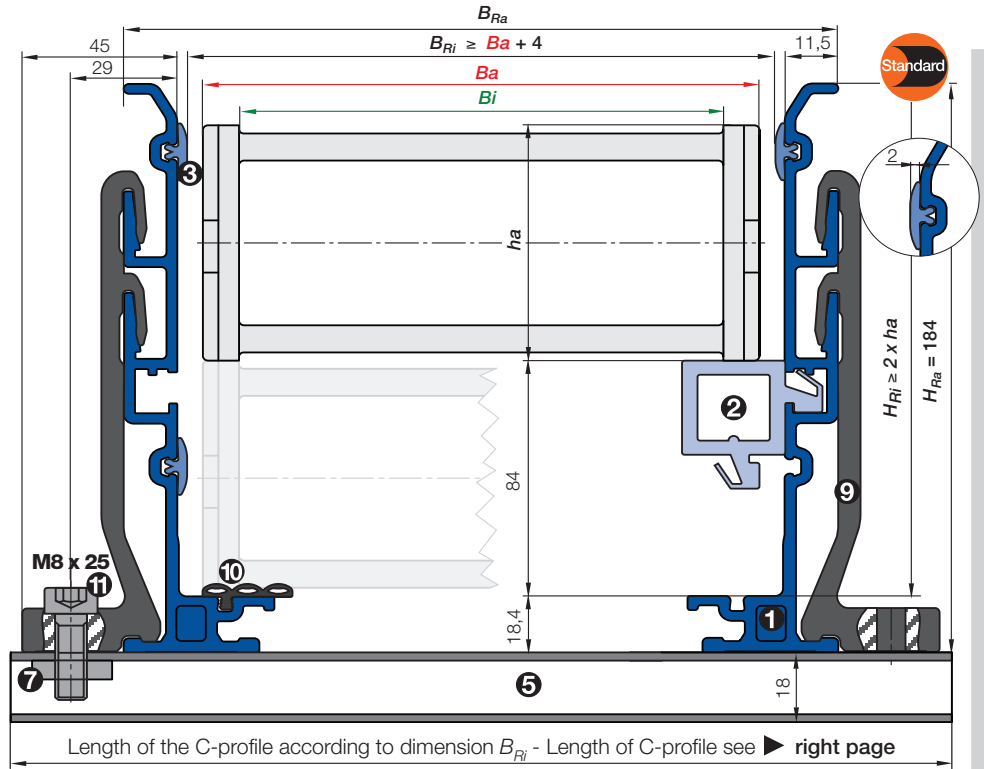
- = Guide trough
- = Glide bar
- = Installation set
- = C-profile

**Calculation - travel center mounted**

Half travel length, rounded down to full 2 m sections = **X m guide trough length without glide bars** + **X m guide trough length with glide bars** + **installation sets** (number of trough pieces + 1)

Supplement Part No. with the indicated C-profile-length-index.  
Example: 974.50. 200

C-profile length-index for your chosen trough inner width  $B_{Ri}$  ▶ see table on the right or the respective page for chosen series



- **Components, trough "Heavy Duty":** ① Trough side parts, aluminum, 2 m ② Glide bar, plastic, 2 m ③ Glide strips, plastic, 2 m (without glide strips on request) ⑩ Optional: Silencer profile, rubber
- **Components, installation set "Heavy Duty":** ⑤ C-profile, steel galvanized ⑦ Sliding nut M8 ⑨ Heavy duty bracket, aluminum ⑪ Screw M8 x 25

**Heavy Duty version: Aluminum "SuperTrough" components**

Complete guide trough sets - description	Part No.	Weight
① Set of 2 trough side parts, incl. glide strips, without glide bars, 2 m section	974.30.SL	≈ 10,0 kg
① Set of 2 trough side parts, incl. glide strips, with glide bars, 2 m section	974.31.SL	≈ 12,8 kg
⑨ 1 Installation set "Heavy Duty" without C-profile	974.50	≈ 0,40 kg
1 Installation set "Heavy Duty" with C-profile	974.50. <span style="border: 1px solid black; padding: 0 5px;"> </span>	
Single parts - description		
③ 1 Glide strip, individual, 2 m section	75.01	≈ 0,06 kg
⑩ 1 Silencer profile, rubber, individual, 2 m section	75.68.H	
⑪ 1 Screw M8 x 25, individual	MAT 0040445	
⑦ 1 Sliding nut M8, individual	MAT 0040413	
② 1 Glide bar, individual, 2 m section	83.79	≈ 1,30 kg
⑤ 1 C-profile, individual	92.52. <span style="border: 1px solid black; padding: 0 5px;"> </span>	≈ 0,90 kg/m



**Order example: Length of travel 30 m - Center mounted for Series 4040HD.10.250.0 with  $B_{Ri} = 158$**

Guide trough set (set of 2 trough side parts, incl. glide strips) <b>without</b> glide bar	<b>Order text: 16 m guide trough without glide bar (8 x 2 m sections)</b>	<b>Part No.</b>	<b>974.30.SL</b>
Guide trough set (set of 2 trough side parts, incl. glide strips) <b>with</b> glide bar	<b>Order text: 16 m guide trough with glide bar (8 x 2 m sections)</b>	<b>Part No.</b>	<b>974.31.SL</b>
Installation set "Heavy Duty" complete (guide trough-sets + 1)	<b>Order text: 17 installation sets "Heavy Duty"</b>	<b>Part No.</b>	<b>974.50. <span style="border: 1px solid black; padding: 0 2px;">275</span></b>
Module for the fixed end	<b>Order text: 1 set</b>	<b>Part No.</b>	<b>974.80</b>
<b>Option:</b> For an additional noise dampening with silencer profile, please add Index A Example:		<b>Part No.</b>	<b>974.30.SLA</b>



## Lengths of C-profile

### 4040HD/R8840HD

4040HD.05.250.0

$B_{Ri}$ [mm]	Part No. assembled
.05 108	974.50.225
.06 123	974.50.250
.07 133	974.50.250
.08 146	974.50.275
.10 158	974.50.275
.11 170	974.50.300
.12 183	974.50.300
.13 195	974.50.325
.15 208	974.50.325
.16 220	974.50.350
.17 233	974.50.350
.18 245	974.50.375
.20 258	974.50.375
.21 270	974.50.400
.22 283	974.50.400
.23 295	974.50.425
.25 308	974.50.425
.26 320	974.50.450
.27 333	974.50.450
.28 345	974.50.475
.30 358	974.50.475
.31 370	974.50.500
.32 383	974.50.500
.33 395	974.50.525
.35 408	974.50.525
.36 420	974.50.550
.37 433	974.50.550
.38 445	974.50.575
.40 458	974.50.575
.41 470	974.50.600
.42 483	974.50.600
.43 495	974.50.625
.45 508	974.50.625
.46 520	974.50.650
.47 533	974.50.650
.48 545	974.50.675
.50 558	974.50.675
.51 570	974.50.700
.52 583	974.50.700
.53 595	974.50.725
.55 608	974.50.725
.60 658	974.50.775



For the following  
E-Chains®/E-Tubes:

System E4 Series

- E4.80/H4.80/R4.80
- 5050/5150/R9850
- 15050/15150/R19850

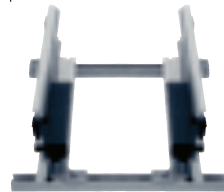
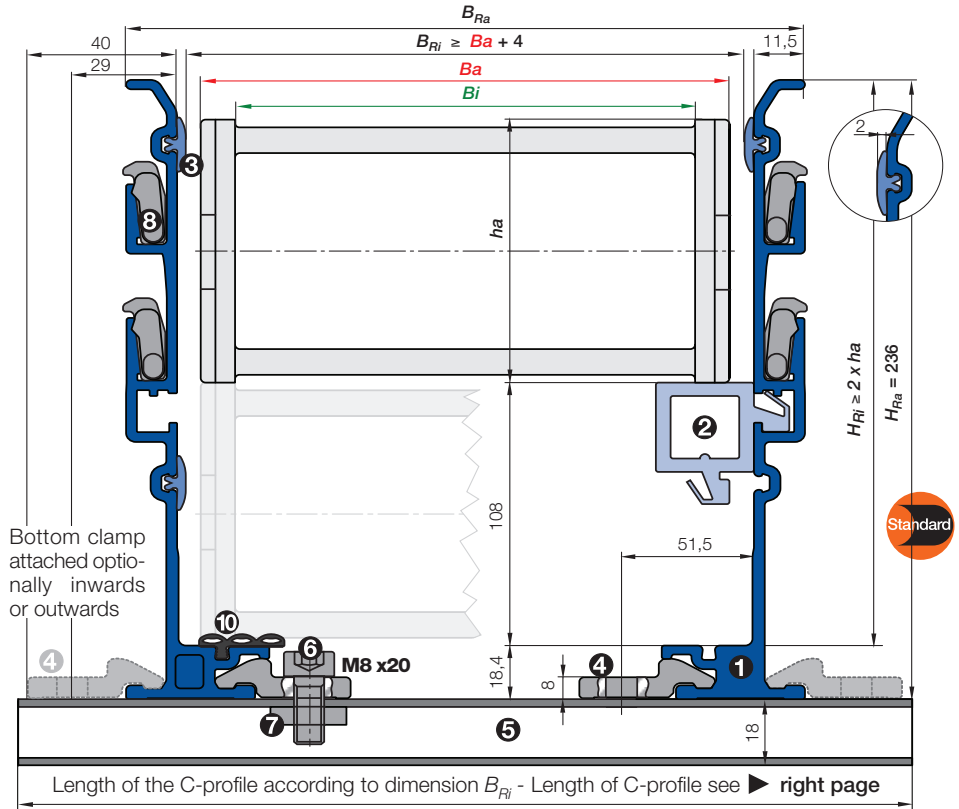
System E6 Series

- E6.80

$B_a$  = Outer E-Chain® width  
 $B_i$  = Inner E-Chain® width  
 $h_a$  = E-Chain® outer height  
 $H_{Ri}$  = Inner trough height  
 $H_{Ra}$  = Outer trough height  
 $B_{Ri}$  = Inner trough width ▶ depends on dim.  $B_a$   
 $B_{Ra}$  = Outer trough width

!  $H_{Ri} \geq 2 \cdot h_a$   
 ■  $B_{Ri} \geq B_a + 4$

- = Guide trough
- = Glide bar
- = Installation set "Basic"
- = C-profile



- **Components, trough "Basic":** ① Trough side parts, aluminum, 2 m ② Glide bar, plastic, 2 m ③ Glide strips, plastic, 2 m (without glide strips on request) ⑩ Optional: Silencer profile, rubber
- **Components, installation set "Basic":** ④ Bottom clamp, aluminum ⑤ C-profile, steel galvanized ⑥ Screw M8 x 20 ⑦ Sliding nut M8 ⑧ Interface connector, plastic

**Basic version: Aluminum "SuperTrough" components**

Complete guide trough sets - description	Part No.	Weight	kg
① Set of 2 trough side parts, incl. glide strips, without glide bars, 2 m section	975.30.SL	≈ 14,0 kg	
① Set of 2 trough side parts, incl. glide strips, with glide bars, 2 m section	975.31.SL	≈ 16,6 kg	
1 Installation set "Basic" without C-profile	960.50	≈ 0,08 kg	
1 Installation set "Basic" with C-profile	960.50.		
Single parts - description			
③ 1 Glide strip, individual, 2 m section	75.01	≈ 0,06 kg	
⑩ 1 Silencer profile, rubber, individual, 2 m section	75.68.H		
④ 1 Bottom clamp, individual	75.50	≈ 0,04 kg	
⑧ 1 Interface connector, individual	75.60		
⑥ 1 Screw M8 x 20, individual	MAT 0040445		
⑦ 1 Sliding nut M8, individual	MAT 0040413		
② 1 Glide bar, individual, 2 m section	83.79	≈ 1,30 kg	
⑤ 1 C-profile, individual	92.52.	≈ 0,90 kg/m	



**Calculation - travel center mounted**

Half travel length, rounded down to full 2 m sections = **X m guide trough length without glide bars** + **X m guide trough length with glide bars** + **installation sets "Basic"** (number of trough pieces + 1)

Supplement Part No. with the indicated C-profile-length-index.

**Example: 960.50.200**

C-profile length-index for your chosen trough inner width  $B_{Ri}$  ▶ see table on the right or the respective page for chosen series



**Fixed end module** - A quick fix for mounting the stationary end of an E-Chain® ▶ **page 9.16**



**Order example: Length of travel 30 m - Center mounted for Series 5050.30.300.0 with  $B_{Ri} = 345$**

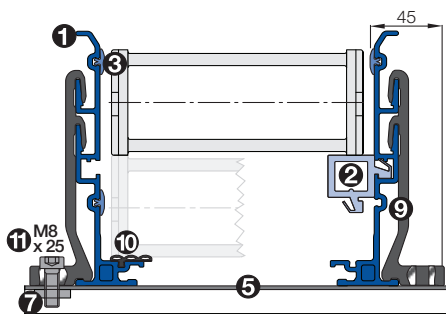
Guide trough set (set of 2 trough side parts, incl. glide strips) <b>without</b> glide bar	<b>Order text: 16 m guide trough without glide bar (8 x 2 m sections)</b>	<b>Part No.</b>	<b>975.30.SL</b>
Guide trough set (set of 2 trough side parts, incl. glide strips) <b>with</b> glide bar	<b>Order text: 16 m guide trough with glide bar (8 x 2 m sections)</b>	<b>Part No.</b>	<b>975.31.SL</b>
Installation set "Basic" complete (guide trough-sets + 1)	<b>Order text: 17 installation sets "Basic"</b>	<b>Part No.</b>	<b>960.50.425</b>
Module for the fixed end	<b>Order text: 1 set</b>	<b>Part No.</b>	<b>975.80</b>
<b>Option:</b> For an additional noise dampening with silencer profile, please add Index A Example:		<b>Part No.</b>	<b>975.30.SLA</b>

## Lengths of C-profile for Basic version - Bottom clamp attached optionally inwards or outwards

E4.80/H4.80/R4.80				5050/5150/R9850				15050/15150/R19850				E6.80			
E4.80.05.200.0				5050.05.200.0				15050.05.200.0				E6.80.30.300.0			
$B_{Ri}$ [mm]	Part No. attached inwards	Part No. attached outwards		$B_{Ri}$ [mm]	Part No. attached inwards	Part No. attached outwards		$B_{Ri}$ [mm]	Part No. attached inwards	Part No. attached outwards		$B_{Ri}$ [mm]	Part No. attached inwards	Part No. attached outwards	
.05	104	*	960.50.225	.05	104	*	960.50.225	.05	84	*	960.50.200	.05	104	*	960.50.225
.06	119	*	960.50.250	.06	119	*	960.50.250	.06	99	*	960.50.225	.06	119	*	960.50.250
.07	129	*	960.50.250	.07	129	*	960.50.250	.07	109	*	960.50.225	.07	129	*	960.50.250
.08	141	960.50.200	960.50.275	.08	141	960.50.200	960.50.275	.08	121	*	960.50.250	.08	141	960.50.200	960.50.275
.10	154	960.50.225	960.50.275	.10	154	960.50.225	960.50.275	.10	134	*	960.50.250	.10	154	960.50.225	960.50.275
.11	167	960.50.225	960.50.300	.11	167	960.50.225	960.50.300	.11	146	960.50.200	960.50.275	.11	167	960.50.225	960.50.300
.12	179	960.50.250	960.50.300	.12	179	960.50.250	960.50.300	.12	159	960.50.225	960.50.275	.12	179	960.50.250	960.50.300
.13	192	960.50.250	960.50.325	.13	192	960.50.250	960.50.325	.13	171	960.50.225	960.50.300	.13	192	960.50.250	960.50.325
.15	204	960.50.275	960.50.325	.15	204	960.50.275	960.50.325	.15	184	960.50.250	960.50.300	.15	204	960.50.275	960.50.325
.16	217	960.50.275	960.50.350	.16	217	960.50.275	960.50.350	.16	196	960.50.250	960.50.325	.16	217	960.50.275	960.50.350
.17	229	960.50.300	960.50.350	.17	229	960.50.300	960.50.350	.17	209	960.50.275	960.50.325	.17	229	960.50.300	960.50.350
.18	242	960.50.300	960.50.375	.18	242	960.50.300	960.50.375	.18	221	960.50.275	960.50.350	.18	242	960.50.300	960.50.375
.20	254	960.50.325	960.50.375	.20	254	960.50.325	960.50.375	.20	234	960.50.300	960.50.350	.20	254	960.50.325	960.50.375
.21	267	960.50.325	960.50.400	.21	267	960.50.325	960.50.400	.21	246	960.50.300	960.50.375	.21	267	960.50.325	960.50.400
.22	279	960.50.350	960.50.400	.22	279	960.50.350	960.50.400	.22	259	960.50.325	960.50.375	.22	279	960.50.350	960.50.400
.23	292	960.50.350	960.50.425	.23	292	960.50.350	960.50.425	.23	271	960.50.325	960.50.400	.23	292	960.50.350	960.50.425
.25	304	960.50.375	960.50.425	.25	304	960.50.375	960.50.425	.25	284	960.50.350	960.50.400	.25	304	960.50.375	960.50.425
.26	317	960.50.375	960.50.450	.26	317	960.50.375	960.50.450	.26	296	960.50.350	960.50.425	.26	317	960.50.375	960.50.450
.27	329	960.50.400	960.50.450	.27	329	960.50.400	960.50.450	.27	309	960.50.375	960.50.425	.27	329	960.50.400	960.50.450
.28	342	960.50.400	960.50.475	.28	342	960.50.400	960.50.475	.28	321	960.50.375	960.50.450	.28	342	960.50.400	960.50.475
.30	354	960.50.425	960.50.475	.30	354	960.50.425	960.50.475	.30	334	960.50.400	960.50.450	.30	354	960.50.425	960.50.475
.31	367	960.50.425	960.50.500	.31	367	960.50.425	960.50.500	.31	346	960.50.400	960.50.475	.31	367	960.50.425	960.50.500
.32	379	960.50.450	960.50.500	.32	379	960.50.450	960.50.500	.32	359	960.50.425	960.50.475	.32	379	960.50.450	960.50.500
.33	392	960.50.450	960.50.525	.33	392	960.50.450	960.50.525	.33	371	960.50.425	960.50.500	.33	392	960.50.450	960.50.525
.35	404	960.50.475	960.50.525	.35	404	960.50.475	960.50.525	.35	384	960.50.450	960.50.500	.35	404	960.50.475	960.50.525
.36	417	960.50.475	960.50.550	.36	417	960.50.475	960.50.550	.36	396	960.50.450	960.50.525	.36	417	960.50.475	960.50.550
.37	429	960.50.500	960.50.550	.37	429	960.50.500	960.50.550	.37	409	960.50.475	960.50.525	.37	429	960.50.500	960.50.550
.38	442	960.50.500	960.50.575	.38	442	960.50.500	960.50.575	.38	421	960.50.475	960.50.550	.38	442	960.50.500	960.50.575
.40	454	960.50.525	960.50.575	.40	454	960.50.525	960.50.575	.40	434	960.50.500	960.50.550	.40	454	960.50.525	960.50.575
.41	467	960.50.525	960.50.600	.41	467	960.50.525	960.50.600	.41	446	960.50.500	960.50.575	.41	467	960.50.525	960.50.600
.42	479	960.50.550	960.50.600	.42	479	960.50.550	960.50.600	.42	459	960.50.525	960.50.575	.42	479	960.50.550	960.50.600
.43	492	960.50.550	960.50.625	.43	492	960.50.550	960.50.625	.43	471	960.50.525	960.50.600	.43	492	960.50.550	960.50.625
.45	504	960.50.575	960.50.625	.45	504	960.50.575	960.50.625	.45	484	960.50.550	960.50.600	.45	504	960.50.575	960.50.625
.46	517	960.50.575	960.50.650	.46	517	960.50.575	960.50.650	.46	496	960.50.550	960.50.625	.46	517	960.50.575	960.50.650
.47	529	960.50.600	960.50.650	.47	529	960.50.600	960.50.650	.47	509	960.50.575	960.50.625	.47	529	960.50.600	960.50.650
.48	542	960.50.600	960.50.675	.48	542	960.50.600	960.50.675	.48	521	960.50.575	960.50.650	.48	542	960.50.600	960.50.675
.50	554	960.50.625	960.50.675	.50	554	960.50.625	960.50.675	.50	534	960.50.600	960.50.650	.50	554	960.50.625	960.50.675
.51	567	960.50.625	960.50.700	.51	567	960.50.625	960.50.700	.51	546	960.50.600	960.50.675	.51	567	960.50.625	960.50.700
.52	579	960.50.650	960.50.700	.52	579	960.50.650	960.50.700	.52	559	960.50.625	960.50.675	.52	579	960.50.650	960.50.700
.53	592	960.50.650	960.50.725	.53	592	960.50.650	960.50.725	.53	571	960.50.625	960.50.700	.53	592	960.50.650	960.50.725
.55	604	960.50.675	960.50.725	.55	604	960.50.675	960.50.725	.55	584	960.50.650	960.50.700	.55	604	960.50.675	960.50.725
.60	654	960.50.725	960.50.775	.60	654	960.50.725	960.50.775	.60	634	960.50.700	960.50.750	.60	654	960.50.725	960.50.775

\*upon request

## "Heavy Duty" Version | Installation set Part No. 975.50



- Components, trough "Heavy Duty": ① Trough side parts, aluminum, 2 m ② Glide bar, plastic, 2 m ③ Glide strips, plastic 2 m (without glide strips on request) ⑩ Optional: Silencer profile, rubber
- Components, installation set "Heavy Duty": ⑤ C-profile, steel galvanized ⑦ Sliding nut M8 ⑨ Heavy duty bracket, aluminum ⑪ Screw M8 x 25

Note: Dimensions similar to Basic version!  
Exception: Heavy duty bracket, see drawing



- = Guide trough
- = Glide bar
- = Installation set "Heavy duty"
- = C-profile

Insert for the installation set "Heavy-Duty": **975.50.XXX** instead of **960.50.XXX** on the right column "attached outwards"

"Heavy Duty" installation set Part No. **975.50.200**

! The inner width of the guide through and the length of the C-Profile of the assembly kit can differ according to the bracket you choose. Please call us!



For the following  
E-Chains®/E-Tubes:

System E4 Series

- 5050HD/R9850HD

We especially recommend for the igus® E4/4 series 5050 HD (Heavy Duty) this trough system. Structurally identical with trough 975.30.SL yet with special HD-installation set, suitable for ambitious applications.

- $B_a$  = Outer E-Chain® width
- $B_i$  = Inner E-Chain® width
- $h_a$  = E-Chain® outer height
- $H_{Ri}$  = Inner trough height
- $H_{Ra}$  = Outer trough height
- $B_{Ri}$  = Inner trough width ▶ depends on dim.  $B_a$
- $B_{Ra}$  = Outer trough width

!  $H_{Ri} \geq 2 \cdot h_a$   
■  $B_{Ri} \geq B_a + 4$

- = Guide trough
- = Glide bar
- = Installation set
- = C-profile



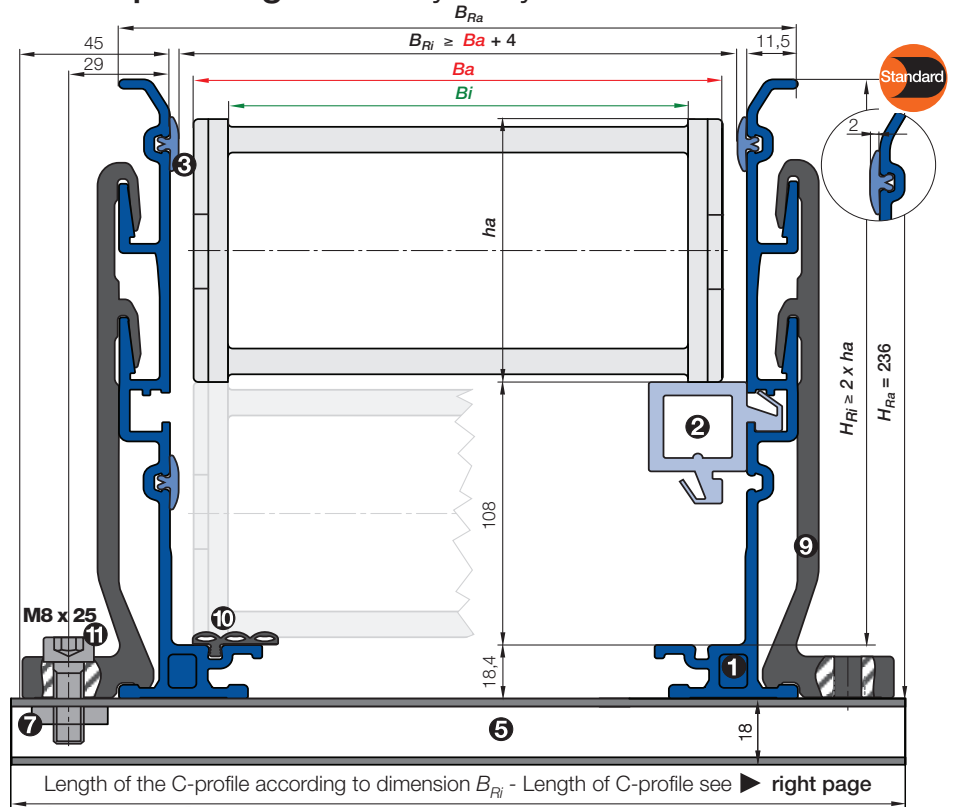
Calculation - travel  
center mounted

Half travel length, rounded down to full 2 m sections = X m guide trough length without glide bars + X m guide trough length with glide bars + installation sets (number of trough pieces + 1)

Supplement Part No. with the indicated C-profile-length-index.

Example: 975.50.

C-profile length-index for your chosen trough inner width  $B_{Ri}$  ▶ see table on the right or the respective page for chosen series



- Components, trough "Heavy Duty": ① Trough side parts, aluminum, 2 m ② Glide bar, plastic, 2 m ③ Glide strips, plastic, 2 m (without glide strips on request) ⑩ Optional: Silencer profile, rubber
- Components, installation set "Heavy Duty": ⑤ C-profile, steel galvanized ⑦ Sliding nut M8 ⑨ Heavy duty bracket, aluminum ⑪ Screw M8 x 25

### Heavy Duty version: Aluminum "SuperTrough" components

Complete guide trough sets - description	Part No.	Weight	kg
① Set of 2 trough side parts, incl. glide strips, without glide bars, 2 m section	975.30.SL	≈ 14,0	kg
① Set of 2 trough side parts, incl. glide strips, with glide bars, 2 m section	975.31.SL	≈ 16,6	kg
⑨ 1 Installation set "Heavy Duty" without C-profile	975.50	≈ 0,53	kg
1 Installation set "Heavy Duty" with C-profile	975.50. <input type="text"/>		
Single parts - description			
③ 1 Glide strip, individual, 2 m section	75.01	≈ 0,06	kg
⑩ 1 Silencer profile, rubber, individual, 2 m section	75.68.H		
⑪ 1 Screw M8 x 25, individual	MAT 0040445		
⑦ 1 Sliding nut M8, individual	MAT 0040413		
② 1 Glide bar, individual, 2 m section	83.79	≈ 1,30	kg
⑤ 1 C-profile, individual	92.52. <input type="text"/>	≈ 0,90	kg/m



Order example: Length of travel 30 m -  
Center mounted for Series 5050HD.10.250.0 with  $B_{Ri} = 975.30.SL$

Guide trough set (set of 2 trough side parts, incl. glide strips) <b>without</b> glide bar	Order text: 16 m guide trough without glide bar (8 x 2 m sections)	Part No.	975.31.SL
Guide trough set (set of 2 trough side parts, incl. glide strips) <b>with</b> glide bar	Order text: 16 m guide trough with glide bar (8 x 2 m sections)	Part No.	975.50. <input type="text" value="300"/>
Installation set "Heavy Duty" complete (guide trough-sets + 1)	Order text: 17 installation sets "Heavy Duty"	Part No.	975.80
Module for the fixed end	Order text: 1 set	Part No.	975.30.SLA
Option: For an additional noise dampening with silencer profile, please add Index A Example:		Part No.	

## Lengths of C-profile

### 5050HD/R9850HD

5050HD.30.300.0

$B_{Ri}$ [mm]	Part No. assembled
.05 114	974.50.250
.06 129	974.50.250
.07 139	974.50.275
.08 152	974.50.275
.10 164	974.50.300
.11 176	974.50.300
.12 189	974.50.325
.13 201	974.50.325
.15 214	974.50.350
.16 226	974.50.350
.17 239	974.50.375
.18 251	974.50.375
.20 264	974.50.400
.21 276	974.50.400
.22 289	974.50.425
.23 301	974.50.425
.25 314	974.50.450
.26 326	974.50.450
.27 339	974.50.475
.28 351	974.50.475
.30 364	974.50.500
.31 376	974.50.500
.32 389	974.50.525
.33 401	974.50.525
.35 414	974.50.550
.36 426	974.50.550
.37 439	974.50.575
.38 451	974.50.575
.40 464	974.50.600
.41 476	974.50.600
.42 489	974.50.625
.43 501	974.50.625
.45 514	974.50.650
.46 526	974.50.650
.47 539	974.50.675
.48 551	974.50.675
.50 564	974.50.700
.51 576	974.50.700
.52 589	974.50.725
.53 601	974.50.725
.55 614	974.50.750
.60 664	974.50.800