

- For the following
E-Chains®/E-Tubes:
- System E2 Series**
- 10
 - B15
- Zipper Series**
- 15/R15

B_a = Outer E-Chain® width
 B_i = Inner E-Chain® width
 h_a = E-Chain® outer height
 H_{Ri} = Inner trough height
 H_{Ra} = Outer trough height
 B_{Ri} = Inner trough width ▶ depends on dim. B_a
 B_{Ra} = Outer trough width

! $H_{Ri} \geq 2 \cdot h_a$
 ■ $B_{Ri} \geq B_a + 4$

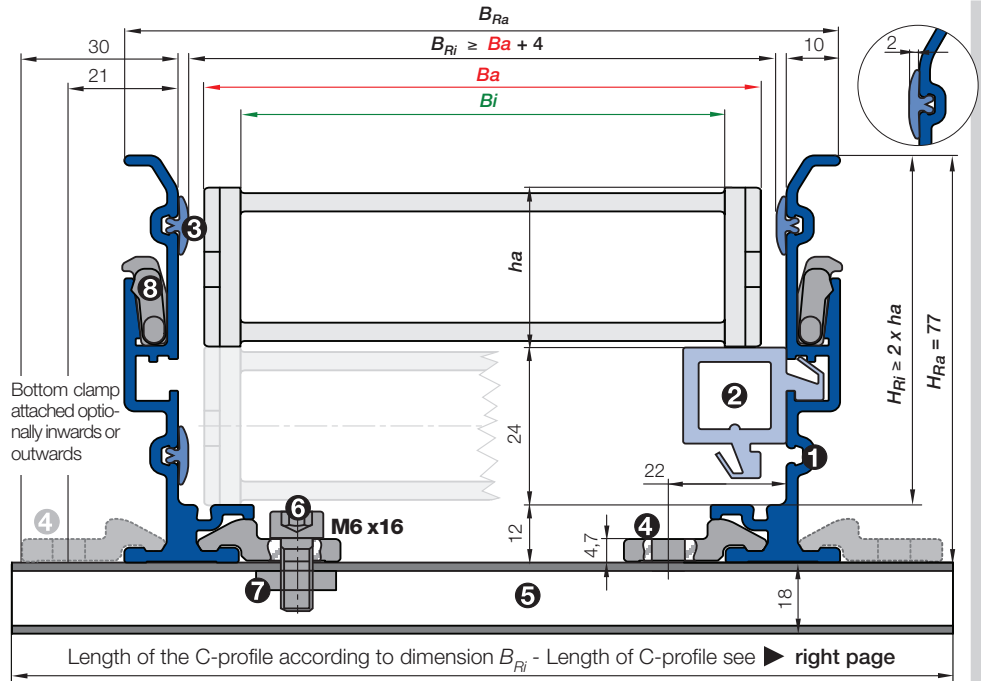
- = Guide trough
- = Glide bar
- = Installation set "Basic"
- = C-profile

Calculation - travel center mounted

Half travel length, rounded down to full 2 m sections = **X m guide trough length without glide bars** + **X m guide trough length with glide bars** + **installation sets "Basic"** (number of trough pieces + 1)

Supplement Part No. with the indicated C-profile-length-index.
Example: 960.30.125
 C-profile length-index for your chosen trough inner width B_{Ri} ▶ see table on the right or the respective page for chosen series

Fixed end module - A quick fix for mounting the stationary end of an E-Chain® ▶ **page 9.16**



- **Components, trough "Basic":** ① Trough side parts, aluminum, 2 m ② Glide bar, plastic, 2 m ③ Glide strips, plastic, 2 m (without glide strips on request)
- **Components, installation set "Basic":** ④ Bottom clamp, aluminum ⑤ C-profile, steel galvanized ⑥ Screw M6 x 16 ⑦ Sliding nut M6 ⑧ Interface connector, plastic

Basic version: Aluminum "SuperTrough" components

Complete guide trough sets - description	Part No.	Weight	kg
① Set of 2 trough side parts, incl. glide strips, without glide bars, 2 m section	970.30.SL	≈ 4,20 kg	
① Set of 2 trough side parts, incl. glide strips, with glide bars, 2 m section	970.31.SL	≈ 4,90 kg	
1 Installation set "Basic" without C-profile	960.30	≈ 0,06 kg	
1 Installation set "Basic" with C-profile	960.30.		
Single parts - description			
③ 1 Glide strip, individual, 2 m section	75.01	≈ 0,06 kg	
④ 1 Bottom clamp, individual	75.40	≈ 0,03 kg	
⑧ 1 Interface connector, individual	75.60		
⑥ 1 Screw M6 x 16, individual	MAT 0040209		
⑦ 1 Sliding nut M6, individual	MAT 0040057		
② 1 Glide bar, individual, 2 m section	82.79	≈ 0,42 kg	
⑤ 1 C-profile, individual	92.52.	≈ 0,90 kg/m	



Order example: Length of travel 30 m - Center mounted for Series 10.5.038.0 with $B_{Ri} = 80$

Guide trough set (set of 2 trough side parts, incl. glide strips) **without** glide bar
Order text: 16 m guide trough without glide bar (8 x 2 m sections) Part No. 970.30.SL

Guide trough set (set of 2 trough side parts, incl. glide strips) **with** glide bar
Order text: 16 m guide trough with glide bar (8 x 2 m sections) Part No. 970.31.SL

Installation set "Basic" complete (guide trough-sets + 1)
Order text: 17 installation sets "Basic" Part No. 960.30.125

Module for the fixed end
Order text: 1 set Part No. 970.80

Option: For an additional noise dampening with silencer profile, please add Index A Example:
Part No. 970.30.SLA

Lengths of C-profile for Basic version - Bottom clamp attached optionally **inwards** or **outwards**

10				B15				15				R15			
10.5.038.0				B15.5.038.0				15.5.038.0				R15.025.100.0			
B_{Ri} [mm]	Part No. attached inwards	Part No. attached outwards		B_{Ri} [mm]	Part No. attached inwards	Part No. attached outwards		B_{Ri} [mm]	Part No. attached inwards	Part No. attached outwards		B_{Ri} [mm]	Part No. attached inwards	Part No. attached outwards	
.015	30	*	960.30.125	.015	30	*	960.30.125	.015	30	*	960.30.125	.025	40	*	960.30.150
.025	40	*	960.30.150	.025	40	*	960.30.150	.025	40	*	960.30.150	.038	80	*	960.30.150
.038	53	*	960.30.150	.038	53	*	960.30.150	.038	53	*	960.30.150	.063	80	*	960.30.175
.050	65	960.30.125	960.30.175	.050	65	960.30.125	960.30.175	.050	65	960.30.125	960.30.175	.080	98	960.30.150	960.30.200
.5	80	960.30.125	960.30.175	.5	80	960.30.125	960.30.175	.5	80	960.30.125	960.30.175				
.6	98	960.30.150	960.30.200	.6	98	960.30.150	960.30.200	.6	98	960.30.150	960.30.200				
.7	117	960.30.175	960.30.225	.7	117	960.30.175	960.30.225	.7	117	960.30.175	960.30.225				

*upon request

- For the following
E-Chains®/E-Tubes:
- System E2 Series
 - 1500
 - System E4 Series
 - E4.21 (210)

B_a = Outer E-Chain® width
 B_i = Inner E-Chain® width
 h_a = E-Chain® outer height
 H_{Ri} = Inner trough height
 H_{Ra} = Outer trough height
 B_{Ri} = Inner trough width ▶ depends on dim. B_a
 B_{Ra} = Outer trough width

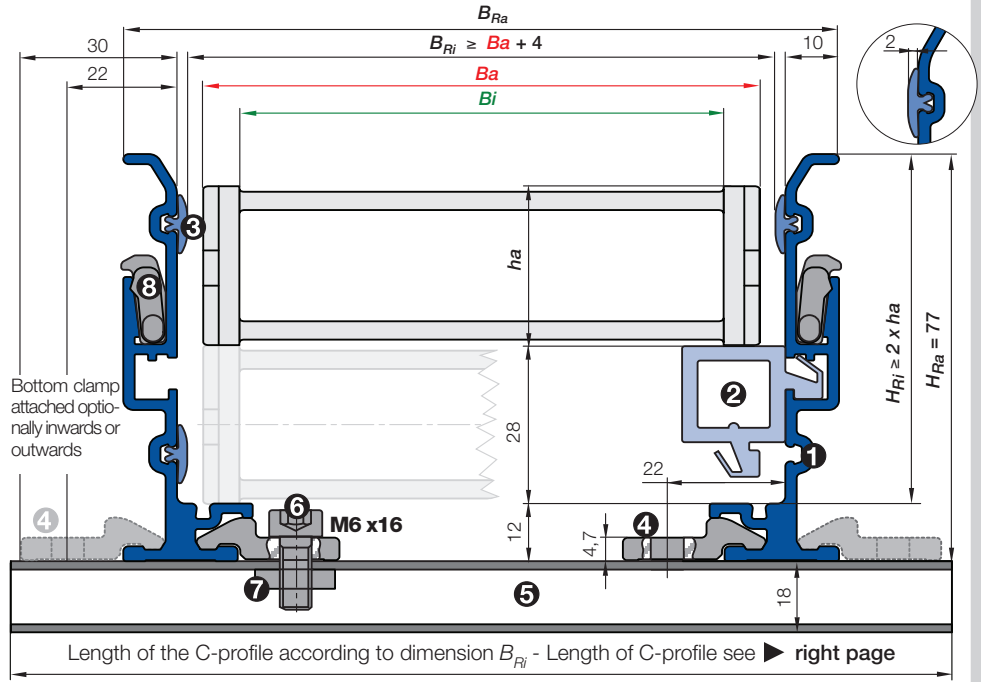
$H_{Ri} \geq 2 \cdot h_a$
 $B_{Ri} \geq B_a + 4$

- = Guide trough
- = Glide bar
- = Installation set "Basic"
- = C-profile

Calculation - travel center mounted

Half travel length, rounded down to full 2 m sections = **X m guide trough length without glide bars** + **X m guide trough length with glide bars** + **installation sets "Basic"** (number of trough pieces + 1)

Supplement Part No. with the indicated C-profile-length-index.
Example: 960.30.125
 C-profile length-index for your chosen trough inner width B_{Ri} ▶ see table on the right or the respective page for chosen series



- **Components, trough "Basic":** ① Trough side parts, aluminum, 2 m ② Glide bar, plastic, 2 m ③ Glide strips, plastic, 2 m (without glide strips on request)
- **Components, installation set "Basic":** ④ Bottom clamp, aluminum ⑤ C-profile, steel galvanized ⑥ Screw M6 x16 ⑦ Sliding nut M6 ⑧ Interface connector, plastic

Basic version: Aluminum "SuperTrough" components

Complete guide trough sets - description	Part No.	Weight	kg
① Set of 2 trough side parts, incl. glide strips, without glide bars, 2 m section	970.30.SL	≈ 4,20 kg	
① Set of 2 trough side parts, incl. glide strips, with glide bars, 2 m section	970.32.SL	≈ 5,00 kg	
1 Installation set "Basic" without C-profile	960.30	≈ 0,06 kg	
1 Installation set "Basic" with C-profile	960.30.		
Single parts - description			
③ 1 Glide strip, individual, 2 m section	75.01	≈ 0,06 kg	
④ 1 Bottom clamp, individual	75.40	≈ 0,03 kg	
⑧ 1 Interface connector, individual	75.60		
⑥ 1 Screw M6 x 16, individual	MAT 0040209		
⑦ 1 Sliding nut M6, individual	MAT 0040057		
② 1 Glide bar, individual, 2 m section	82.79	≈ 0,42 kg	
⑤ 1 C-profile, individual	92.52.	≈ 0,90 kg/m	



Order example: Length of travel 30 m - Center mounted for Series E4.21.050.100.0 with $B_{Ri} = 68$

Guide trough set (set of 2 trough side parts, incl. glide strips) **without** glide bar

Order text: 16 m guide trough without glide bar (8 x 2 m sections)	Part No.	970.30.SL
---	-----------------	------------------

Guide trough set (set of 2 trough side parts, incl. glide strips) **with** glide bar

Order text: 16 m guide trough with glide bar (8 x 2 m sections)	Part No.	970.32.SL
--	-----------------	------------------

Installation set "Basic" complete (guide trough-sets + 1)

Order text: 17 installation sets "Basic"	Part No.	960.30.125
---	-----------------	-------------------

Option: For an additional noise dampening with silencer profile, please add Index A Example:

	Part No.	970.30.SLA
--	-----------------	-------------------

Lengths of C-profile for Basic version - Bottom clamp attached optionally **inwards** or **outwards**

1500

1500.050.035.0

B_{Ri} [mm]	Part No. attached inwards	Part No. attached outwards
.015 33	*	960.30.125
.020 38	*	960.30.125
.025 43	*	960.30.150
.038 56	*	960.30.150
.050 68	960.30.125	960.30.175
.068 86	960.30.150	960.30.175
.080 98	960.30.150	960.30.200
.100 118	960.30.175	960.30.225
.125 143	960.30.200	960.30.250

E4.21 (210)

E4.21.080.100.0

B_{Ri} [mm]	Part No. attached inwards	Part No. attached outwards
.030 48	*	960.30.150
.040 58	960.30.125	960.30.150
.050 68	960.30.125	960.30.175
.060 78	960.30.125	960.30.175
.070 88	960.30.150	960.30.175
.080 98	960.30.150	960.30.200
.100 118	960.30.175	960.30.225
.120 138	960.30.200	960.30.225

*upon request

- For the following E-Chains®/E-Tubes:
- System E2 Series
 - 2500
 - 255
 - System E2 E-Tubes
 - R48
 - System E6 Series
 - E6.29/R6.29
 - E2 medium classic
 - 250 classic

B_a = Outer E-Chain® width
 B_i = Inner E-Chain® width
 h_a = E-Chain® outer height
 H_{Ri} = Inner trough height
 H_{Ra} = Outer trough height
 B_{Ri} = Inner trough width \blacktriangleright depends on dim. B_a
 B_{Ra} = Outer trough width

$H_{Ri} \geq 2 \cdot h_a$
 $B_{Ri} \geq B_a + 4$

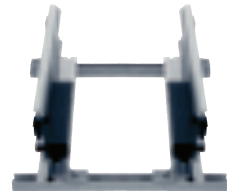
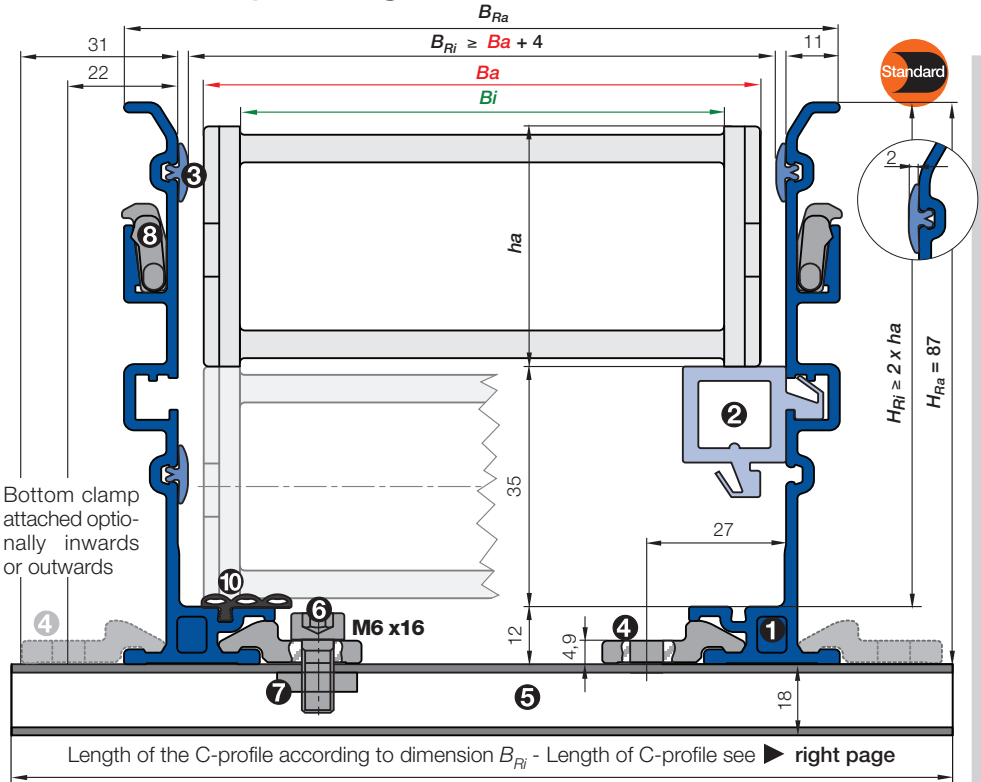
- = Guide trough
- = Glide bar
- = Installation set "Basic"
- = C-profile

Calculation - travel center mounted

Half travel length, rounded down to full 2 m sections = **X m guide trough length without glide bars** + **X m guide trough length with glide bars** + **installation sets "Basic"** (number of trough pieces + 1)

Supplement Part No. with the indicated C-profile-length-index.
Example: 960.30.150
 C-profile length-index for your chosen trough inner width B_{Ri} \blacktriangleright see table on the right or the respective page for chosen series

Fixed end module - A quick fix for mounting the stationary end of an E-Chain® \blacktriangleright [page 9.16](#)



- **Components, trough "Basic":** ① Trough side parts, aluminum, 2 m ② Glide bar, plastic, 2 m ③ Glide strips, plastic, 2 m (without glide strips on request) ⑩ Optional: Silencer profile, rubber
- **Components, installation set "Basic":** ④ Bottom clamp, aluminum ⑤ C-profile, steel galvanized ⑥ Screw M6 x16 ⑦ Sliding nut M6 ⑧ Interface connector, plastic

Basic version: Aluminum "SuperTrough" components

Complete guide trough sets - description	Part No.	Weight	kg
① Set of 2 trough side parts, incl. glide strips, without glide bars, 2 m section	971.30.SL	≈ 5,00 kg	
① Set of 2 trough side parts, incl. glide strips, with glide bars, 2 m section	971.31.SL	≈ 6,40 kg	
1 Installation set "Basic" without C-profile	960.30	≈ 0,06 kg	
1 Installation set "Basic" with C-profile	960.30.		
Single parts - description			
③ 1 Glide strip, individual, 2 m section	75.01	≈ 0,06 kg	
⑩ 1 Silencer profile, rubber, individual, 2 m section	75.67.H		
④ 1 Bottom clamp, individual	75.40	≈ 0,03 kg	
⑧ 1 Interface connector, individual	75.60		
⑥ 1 Screw M6 x 16, individual	MAT 0040209		
⑦ 1 Sliding nut M6, individual	MAT 0040057		
② 1 Glide bar, individual, 2 m section	82.79	≈ 0,60 kg	
⑤ 1 C-profile, individual	92.52.	≈ 0,90 kg/m	

Order example: Length of travel 30 m - Center mounted for Series 2500.07.200.0 with $B_{Ri} = 97$

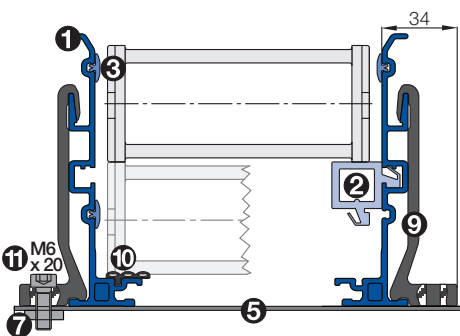
- Guide trough set (set of 2 trough side parts, incl. glide strips) **without** glide bar
Order text: 16 m guide trough without glide bar (8 x 2 m sections) Part No. 971.30.SL
- Guide trough set (set of 2 trough side parts, incl. glide strips) **with** glide bar
Order text: 16 m guide trough with glide bar (8 x 2 m sections) Part No. 971.31.SL
- Installation set "Basic" complete (guide trough-sets + 1)
Order text: 17 installation sets "Basic" Part No. 960.30.150
- Module for the fixed end
Order text: 1 set Part No. 971.80
- Option:** For an additional noise dampening with silencer profile, please add Index A Example:
Part No. 971.30.SLA

Lengths of C-profile for Basic version - Bottom clamp attached optionally **inwards** or **outwards**

2500				255				E6.29/R6.29				R48			
2500.02.200.0				255.03.200.0				E6.29.030.100.0				48.050.100.0			
B_{Ri} [mm]	Part No. attached inwards	Part No. attached outwards		B_{Ri} [mm]	Part No. attached inwards	Part No. attached outwards		B_{Ri} [mm]	Part No. attached inwards	Part No. attached outwards		B_{Ri} [mm]	Part No. attached inwards	Part No. attached outwards	
.02	45	*	960.30.150	.03	58	*	960.30.150	.030	50	*	960.30.150	.025	40	*	960.30.150
.03	58	*	960.30.150	.05	77	960.30.125	960.30.175	.040	60	*	960.30.175	.050	65	*	960.30.175
.05	77	960.30.125	960.30.175	.07	97	960.30.150	960.30.200	.050	70	*	960.30.175	.075	90	960.30.150	960.30.200
.07	97	960.30.150	960.30.200	.10	123	960.30.175	960.30.225	.060	80	960.30.150	960.30.175	.100	115	960.30.175	960.30.225
.09	109	960.30.175	960.30.225					.070	90	960.30.150	960.30.200	.130	145	960.30.200	960.30.250
.10	123	960.30.175	960.30.225					.080	100	960.30.150	960.30.200				
.12	145	960.30.200	960.30.250					.090	110	960.30.175	960.30.225				
								.100	120	960.30.175	960.30.225				
								.110	130	960.30.200	960.30.225				
								.120	140	960.30.200	960.30.250				

*upon request

"Heavy Duty" Version | Installation set Part No. 971.50



- **Components, trough "Heavy Duty":** ① Trough side parts, aluminum, 2 m ② Glide bar, plastic, 2 m ③ Glide strips, plastic 2 m (without glide strips on request) ⑩ Optional: Silencer profile, rubber
- **Components, installation set "Heavy Duty":** ⑤ C-profile, steel galvanized ⑦ Sliding nut M6 ⑨ Heavy duty bracket, aluminum ⑪ Screw M6 x 20

Note: Dimensions similar to Basic version!
Exception: Heavy duty bracket, see drawing



- = Guide trough
- = Glide bar
- = Installation set "Heavy duty"
- = C-profile

Insert for the installation set "Heavy-Duty": **971.50.XXX** instead of **960.30.XXX** on the right column "attached outwards"

"Heavy Duty" installation set Part No. 971.50.150

! The inner width of the guide through and the length of the C-Profile of the assembly kit can differ according to the bracket you choose. Please call us!



For the following
E-Chains®/E-Tubes:

System E4 Series

- E4.28/R4.28
- 220/R760

System E6 Series

- E6.35

B_a = Outer E-Chain® width
 B_i = Inner E-Chain® width
 h_a = E-Chain® outer height
 H_{Ri} = Inner trough height
 H_{Ra} = Outer trough height
 B_{Ri} = Inner trough width ▶ depends on dim. B_a
 B_{Ra} = Outer trough width

! $H_{Ri} \geq 2 \cdot h_a$
■ $B_{Ri} \geq B_a + 4$

- = Guide trough
- = Glide bar
- = Installation set "Basic"
- = C-profile



Calculation - travel center mounted

Half travel length, rounded down to full 2 m sections = **X m guide trough length without glide bars** + **X m guide trough length with glide bars** + **installation sets "Basic"** (number of trough pieces + 1)

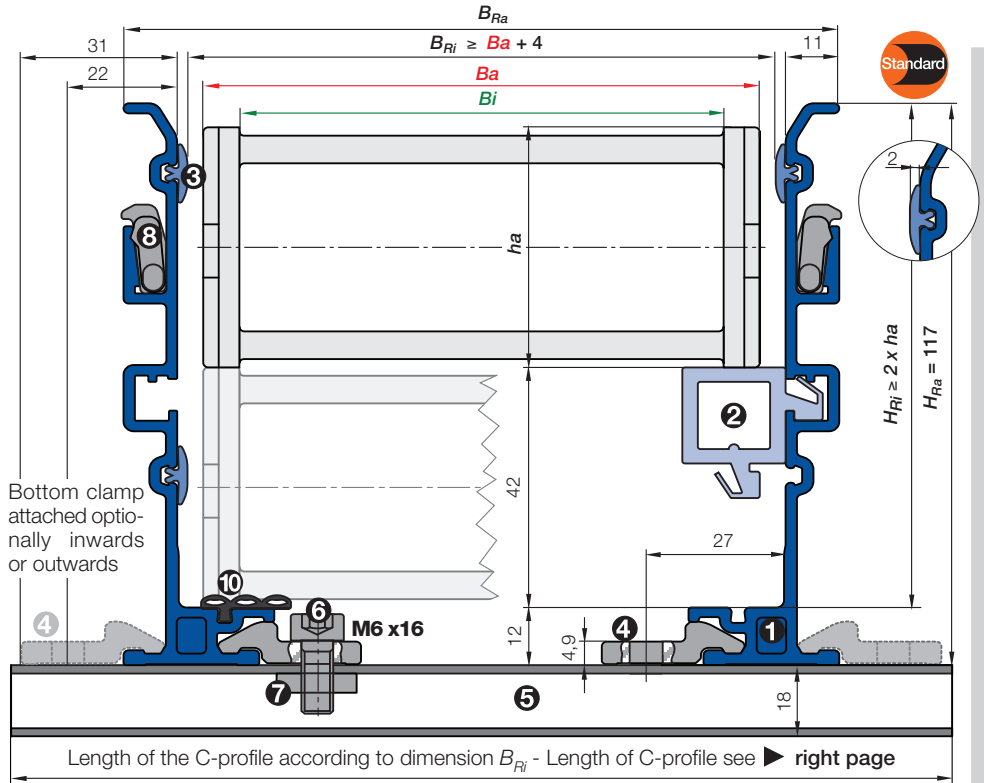
Supplement Part No. with the indicated C-profile-length-index.

Example: 960.30.175

C-profile length-index for your chosen trough inner width B_{Ri} ▶ see table on the right or the respective page for chosen series



Fixed end module - A quick fix for mounting the stationary end of an E-Chain® ▶ **page 9.16**



- **Components, trough "Basic":** ① Trough side parts, aluminum, 2 m ② Glide bar, plastic, 2 m ③ Glide strips, plastic, 2 m (without glide strips on request) ⑩ Optional: Silencer profile, rubber
- **Components, installation set "Basic":** ④ Bottom clamp, aluminum ⑤ C-profile, steel galvanized ⑥ Screw M6 x16 ⑦ Sliding nut M6 ⑧ Interface connector, plastic

Basic version: Aluminum "SuperTrough" components

Complete guide trough sets - description	Part No.	Weight	kg
① Set of 2 trough side parts, incl. glide strips, without glide bars, 2 m section	972.02.30.SL	≈ 6,00 kg	
① Set of 2 trough side parts, incl. glide strips, with glide bars, 2 m section	972.02.31.SL	≈ 7,40 kg	
1 Installation set "Basic" without C-profile	960.30	≈ 0,06 kg	
1 Installation set "Basic" with C-profile	960.30.		
Single parts - description			
③ 1 Glide strip, individual, 2 m section	75.01	≈ 0,06 kg	
⑩ 1 Silencer profile, rubber, individual, 2 m section	75.67.H		
④ 1 Bottom clamp, individual	75.40	≈ 0,03 kg	
⑧ 1 Interface connector, individual	75.60		
⑥ 1 Screw M6 x 16, individual	MAT 0040209		
⑦ 1 Sliding nut M6, individual	MAT 0040057		
② 1 Glide bar, individual, 2 m section	82.79	≈ 0,60 kg	
⑤ 1 C-profile, individual	92.52.	≈ 0,90 kg/m	



Order example: Length of travel 30 m - Center mounted for Series E6.35.100.055.0 with $B_{Ri} = 124$

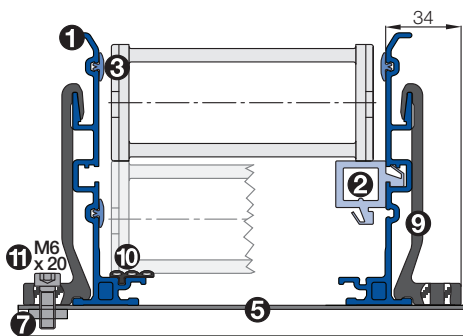
Guide trough set (set of 2 trough side parts, incl. glide strips) without glide bar	Order text: 16 m guide trough without glide bar (8 x 2 m sections)	Part No. 972.02.30.SL
Guide trough set (set of 2 trough side parts, incl. glide strips) with glide bar	Order text: 16 m guide trough with glide bar (8 x 2 m sections)	Part No. 972.02.31.SL
Installation set "Basic" complete (guide trough-sets + 1)	Order text: 17 installation sets "Basic"	Part No. 960.30.175
Module for the fixed end	Order text: 1 set	Part No. 972.82
Option: For an additional noise dampening with silencer profile, please add Index A Example:		Part No. 972.02.30.SLA

Lengths of C-profile for Basic version - Bottom clamp attached optionally **inwards** or **outwards**

E4.28/R4.28			220/R760			E6.35		
E4.28.070.250.0			220.070.250.0			E6.35.100.063.0		
B_{Ri} [mm]	Part No. attached inwards	Part No. attached outwards	B_{Ri} [mm]	Part No. attached inwards	Part No. attached outwards	B_{Ri} [mm]	Part No. attached inwards	Part No. attached outwards
.040 64	*	960.30.175	.040 64	*	960.30.175	.030 54	*	960.30.150
.050 74	960.30.125	960.30.175	.050 74	960.30.125	960.30.175	.040 64	*	960.30.175
.062 86	960.30.150	960.30.200	.062 86	960.30.150	960.30.200	.050 74	960.30.125	960.30.175
.070 94	960.30.150	960.30.200	.070 94	960.30.150	960.30.200	.060 84	960.30.150	960.30.200
.075 99	960.30.150	960.30.200	.075 99	960.30.150	960.30.200	.070 94	960.30.150	960.30.200
.087 111	960.30.175	960.30.225	.087 111	960.30.175	960.30.225	.080 104	960.30.150	960.30.200
.100 124	960.30.175	960.30.225	.100 124	960.30.175	960.30.225	.090 114	960.30.175	960.30.225
.125 149	960.30.200	960.30.250	.125 149	960.30.200	960.30.250	.100 124	960.30.175	960.30.225
.150 174	960.30.225	960.30.275	.150 174	960.30.225	960.30.275	.110 134	960.30.200	960.30.250
.175 199	960.30.250	960.30.300	.175 199	960.30.250	960.30.300	.120 144	960.30.200	960.30.250
.200 224	960.30.275	960.30.325	.200 224	960.30.275	960.30.325			
.225 249	960.30.300	960.30.350	.225 249	960.30.300	960.30.350			
.250 274	960.30.325	960.30.375	.250 274	960.30.325	960.30.375			
.275 299	960.30.350	960.30.400	.275 299	960.30.350	960.30.400			
.300 324	960.30.375	960.30.425	.300 324	960.30.375	960.30.425			

*upon request

"Heavy Duty" Version | Installation set Part No. 972.50



- **Components, trough "Heavy Duty":** ① Trough side parts, aluminum, 2 m ② Glide bar, plastic, 2 m ③ Glide strips, plastic 2 m (without glide strips on request) ⑩ Optional: Silencer profile, rubber
- **Components, installation set "Heavy Duty":** ⑤ C-profile, steel galvanized ⑦ Sliding nut M6 ⑨ Heavy duty bracket, aluminum ⑪ Screw M6 x 20

Note: Dimensions similar to Basic version!
Exception: Heavy duty bracket, see drawing



- = Führungsrippen-Set
- = Gleitschiene
- = Montageset "Heavy duty"
- = C-Profil

Insert for the installation set "Heavy-Duty": **972.50.XXX** instead of **960.30.XXX** on the right column "attached outwards"

"Heavy Duty" installation set Part No. 972.50.150

! The inner width of the guide through and the length of the C-Profile of the assembly kit can differ according to the bracket you choose. Please call us!



For the following
E-Chains®/E-Tubes:

System E4 Series

- E4.32/H4.32/R4.32
- 280/290/R770
- 2828/2928/R7728

System E6 Series

- E6.40/R6.40

B_a = Outer E-Chain® width
 B_i = Inner E-Chain® width
 h_a = E-Chain® outer height
 H_{Ri} = Inner trough height
 H_{Ra} = Outer trough height
 B_{Ri} = Inner trough width ▶ depends on dim. B_a
 B_{Ra} = Outer trough width

! $H_{Ri} \geq 2 \cdot h_a$
 ■ $B_{Ri} \geq B_a + 4$

- = Guide trough
- = Glide bar
- = Installation set "Basic"
- = C-profile



Calculation - travel center mounted

Half travel length, rounded down to full 2 m sections = **X m guide trough length without glide bars** + **X m guide trough length with glide bars** + **installation sets "Basic"** (number of trough pieces + 1)

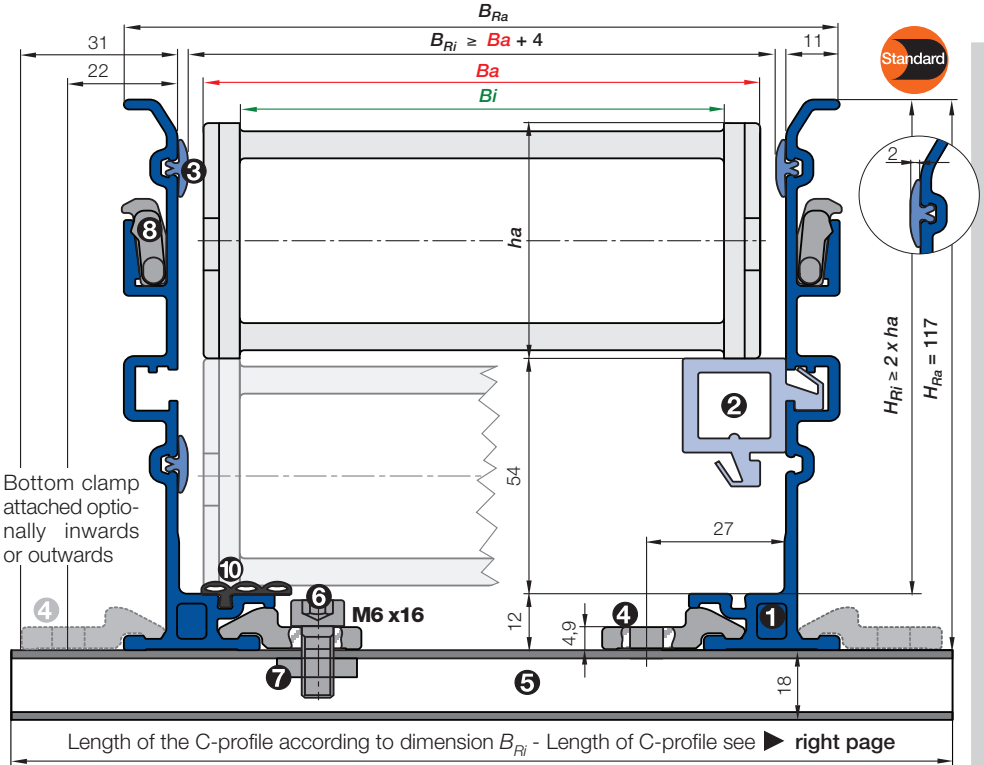
Supplement Part No. with the indicated C-profile-length-index.

Example: 960.30.150

C-profile length-index for your chosen trough inner width B_{Ri} ▶ see table on the right or the respective page for chosen series



Fixed end module - A quick fix for mounting the stationary end of an E-Chain® ▶ **page 9.16**



- **Components, trough "Basic":** ① Trough side parts, aluminum, 2 m ② Glide bar, plastic, 2 m ③ Glide strips, plastic, 2 m (without glide strips on request) ⑩ Optional: Silencer profile, rubber
- **Components, installation set "Basic":** ④ Bottom clamp, aluminum ⑤ C-profile, steel galvanized ⑥ Screw M6 x16 ⑦ Sliding nut M6 ⑧ Interface connector, plastic

Basic version: Aluminum "SuperTrough" components

Complete guide trough sets - description	Part No.	Weight	kg
① Set of 2 trough side parts, incl. glide strips, without glide bars, 2 m section	972.30.SL	≈ 6,00 kg	
① Set of 2 trough side parts, incl. glide strips, with glide bars, 2 m section	972.31.SL	≈ 7,40 kg	
1 Installation set "Basic" without C-profile	960.30	≈ 0,06 kg	
1 Installation set "Basic" with C-profile	960.30.		
Single parts - description			
③ 1 Glide strip, individual, 2 m section	75.01	≈ 0,06 kg	
⑩ 1 Silencer profile, rubber, individual, 2 m section	75.67.H		
④ 1 Bottom clamp, individual	75.40	≈ 0,03 kg	
⑧ 1 Interface connector, individual	75.60		
⑥ 1 Screw M6 x 16, individual	MAT 0040209		
⑦ 1 Sliding nut M6, individual	MAT 0040057		
② 1 Glide bar, individual, 2 m section	82.79	≈ 0,60 kg	
⑤ 1 C-profile, individual	92.52.	≈ 0,90 kg/m	



Order example: Length of travel 30 m - Center mounted for Series E4.32.07.200.0 with $B_{Ri} = 102$

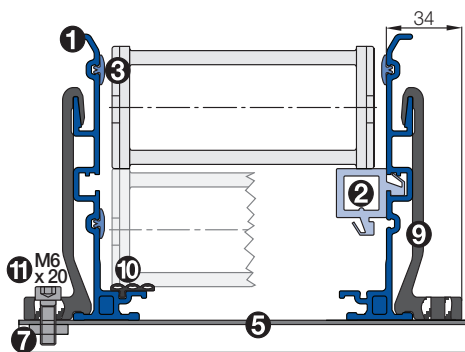
Guide trough set (set of 2 trough side parts, incl. glide strips) without glide bar		
Order text: 16 m guide trough without glide bar (8 x 2 m sections)	Part No.	972.30.SL
Guide trough set (set of 2 trough side parts, incl. glide strips) with glide bar		
Order text: 16 m guide trough with glide bar (8 x 2 m sections)	Part No.	972.31.SL
Installation set "Basic" complete (guide trough-sets + 1)		
Order text: 17 installation sets "Basic"	Part No.	960.30.150
Module for the fixed end		
Order text: 1 set	Part No.	972.80
Option: For an additional noise dampening with silencer profile, please add Index A Example:	Part No.	972.30.SLA

Lengths of C-profile for Basic version - Bottom clamp attached optionally inwards or outwards

E4.32/H4.32/R4.32				280/290/R770				2828/2928/R7728				E6.40/R6.40			
E4.32.05.200.0				280.05.200.0				2828.05.200.0				E6.40.040.063.0			
B_{Ri} [mm]	Part No. attached inwards	Part No. attached outwards		B_{Ri} [mm]	Part No. attached inwards	Part No. attached outwards		B_{Ri} [mm]	Part No. attached inwards	Part No. attached outwards		B_{Ri} [mm]	Part No. attached inwards	Part No. attached outwards	
.05	77	960.30.125	960.30.175	.05	77	960.30.125	960.30.175	.05	78	960.30.125	960.30.175	.04	64	*	960.30.175
.06	95	960.30.150	960.30.200	.06	95	960.30.150	960.30.200	.06	96	960.30.150	960.30.200	.05	74	960.30.125	960.30.175
.07	102	960.30.150	960.30.200	.07	102	960.30.150	960.30.200	.07	103	960.30.150	960.30.200	.06	86	960.30.150	960.30.200
.087	114	960.30.175	960.30.225	.087	114	960.30.175	960.30.225	.087	115	960.30.175	960.30.225	.07	94	960.30.150	960.30.200
.10	127	960.30.175	960.30.225	.10	127	960.30.175	960.30.225	.10	128	960.30.175	960.30.225	.075	99	960.30.150	960.30.200
.11	135	960.30.200	960.30.250	.11	135	960.30.200	960.30.250	.11	136	960.30.200	960.30.225	.087	111	960.30.175	960.30.225
.112	140	960.30.200	960.30.250	.112	140	960.30.200	960.30.250	.112	141	960.30.200	960.30.250	.100	124	960.30.175	960.30.225
.12	152	960.30.200	960.30.250	.12	152	960.30.200	960.30.250	.12	153	960.30.200	960.30.250	.125	149	960.30.200	960.30.250
.137	165	960.30.225	960.30.275	.137	165	960.30.225	960.30.275	.137	166	960.30.225	960.30.275	.150	174	960.30.225	960.30.275
.15	177	960.30.225	960.30.275	.15	177	960.30.225	960.30.275	.15	178	960.30.225	960.30.275	.175	199	960.30.250	960.30.300
.162	190	960.30.250	960.30.300	.162	190	960.30.250	960.30.300	.162	191	960.30.250	960.30.300	.200	224	960.30.275	960.30.325
.17	195	960.30.250	960.30.300	.17	195	960.30.250	960.30.300	.17	196	960.30.250	960.30.300	.225	249	960.30.300	960.30.350
.18	202	960.30.250	960.30.300	.18	202	960.30.250	960.30.300	.18	203	960.30.250	960.30.300	.250	274	960.30.325	960.30.375
.187	215	960.30.275	960.30.325	.187	215	960.30.275	960.30.325	.187	216	960.30.275	960.30.325	.275	299	960.30.350	960.30.400
.20	227	960.30.275	960.30.325	.20	227	960.30.275	960.30.325	.20	228	960.30.275	960.30.325	.300	324	960.30.375	960.30.425
.212	240	960.30.300	960.30.350	.212	240	960.30.300	960.30.350	.212	241	960.30.300	960.30.350				
.23	252	960.30.300	960.30.350	.23	252	960.30.300	960.30.350	.23	253	960.30.300	960.30.350				
.237	265	960.30.325	960.30.375	.237	265	960.30.325	960.30.375	.237	266	960.30.325	960.30.375				
.25	277	960.30.325	960.30.375	.25	277	960.30.325	960.30.375	.25	278	960.30.325	960.30.375				
.262	290	960.30.350	960.30.400	.262	290	960.30.350	960.30.400	.262	291	960.30.350	960.30.400				
.28	302	960.30.350	960.30.400	.28	302	960.30.350	960.30.400	.28	303	960.30.350	960.30.400				
.29	315	960.30.375	960.30.425	.29	315	960.30.375	960.30.425	.29	316	960.30.375	960.30.425				
.30	327	960.30.375	960.30.425	.30	327	960.30.375	960.30.425	.30	328	960.30.375	960.30.425				
.312	340	960.30.400	960.30.450	.312	340	960.30.400	960.30.450	.312	341	960.30.400	960.30.450				
.325	352	960.30.400	960.30.450	.325	352	960.30.400	960.30.450	.325	353	960.30.400	960.30.450				
.337	365	960.30.425	960.30.475	.337	365	960.30.425	960.30.475	.337	366	960.30.425	960.30.475				
.350	377	960.30.425	960.30.475	.350	377	960.30.425	960.30.475	.350	378	960.30.425	960.30.475				
.362	390	960.30.450	960.30.500	.362	390	960.30.450	960.30.500	.362	391	960.30.450	960.30.500				
.375	402	960.30.450	960.30.500	.375	402	960.30.450	960.30.500	.375	403	960.30.450	960.30.500				
.387	415	960.30.475	960.30.525	.387	415	960.30.475	960.30.525	.387	416	960.30.475	960.30.525				
.400	427	960.30.475	960.30.525	.400	427	960.30.475	960.30.525	.400	428	960.30.475	960.30.525				

*upon request

"Heavy Duty" Version | Installation set Part No. 972.50



- **Components, trough "Heavy Duty":** ① Trough side parts, aluminum, 2 m ② Glide bar, plastic, 2 m ③ Glide strips, plastic 2 m (without glide strips on request) ⑩ Optional: Silencer profile, rubber
- **Components, installation set "Heavy Duty":** ⑤ C-profile, steel galvanized ⑦ Sliding nut M6 ⑨ Heavy duty bracket, aluminum ⑪ Screw M6 x 20

Note: Dimensions similar to Basic version!
Exception: Heavy duty bracket, see drawing



- = Guide trough
- = Glide bar
- = Installation set "Heavy duty"
- = C-profile

Insert for the installation set "Heavy-Duty": **972.50.XXX** instead of **960.30.XXX** on the right column "attached outwards"

"Heavy Duty" installation set Part No. 972.50.150

! The inner width of the guide through and the length of the C-Profile of the assembly kit can differ according to the bracket you choose. Please call us!

For the following E-Chains®/E-Tubes:

System E2 Series

● 2700

System E2 E-Tubes

● R58

E2 medium classic

● 27 classic

B_a = Outer E-Chain® width
 B_i = Inner E-Chain® width
 h_a = E-Chain® outer height
 H_{Ri} = Inner trough height
 H_{Ra} = Outer trough height
 B_{Ri} = Inner trough width ▶ depends on dim. B_a
 B_{Ra} = Outer trough width

! $H_{Ri} \geq 2 \cdot h_a$
■ $B_{Ri} \geq B_a + 4$

- = Guide trough
- = Glide bar
- = Installation set "Basic"
- = C-profile

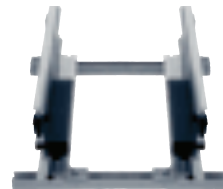
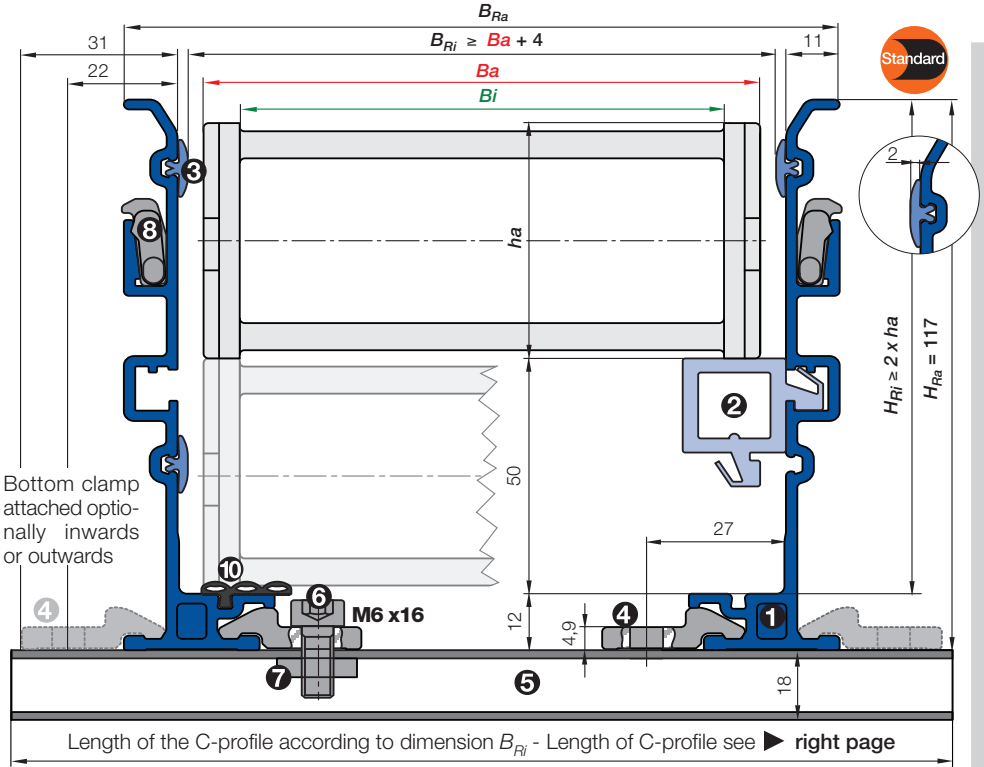
Calculation - travel center mounted

Half travel length, rounded down to full 2 m sections = **X m guide trough length without glide bars** + **X m guide trough length with glide bars** + **installation sets "Basic"** (number of trough pieces + 1)

Supplement Part No. with the indicated C-profile-length-index.
Example : 960.30.150

C-profile length-index for your chosen trough inner width B_{Ri} ▶ see table on the right or the respective page for chosen series

Fixed end module - A quick fix for mounting the stationary end of an E-Chain® ▶ **page 9.16**



- **Components, trough "Basic":** ① Trough side parts, aluminum, 2 m ② Glide bar, plastic, 2 m ③ Glide strips, plastic, 2 m (without glide strips on request) ⑩ Optional: Silencer profile, rubber
- **Components, installation set "Basic":** ④ Bottom clamp, aluminum ⑤ C-profile, steel galvanized ⑥ Screw M6 x16 ⑦ Sliding nut M6 ⑧ Interface connector, plastic

Basic version: Aluminum "SuperTrough" components

Complete guide trough sets - description	Part No.	Weight	kg
① Set of 2 trough side parts, incl. glide strips, without glide bars, 2 m section	972.30.SL	≈ 6,00 kg	
① Set of 2 trough side parts, incl. glide strips, with glide bars, 2 m section	972.32.SL	≈ 7,40 kg	
1 Installation set "Basic" without C-profile	960.30	≈ 0,06 kg	
1 Installation set "Basic" with C-profile	960.30.		
Single parts - description			
③ 1 Glide strip, individual, 2 m section	75.01	≈ 0,06 kg	
⑩ 1 Silencer profile, rubber, individual, 2 m section	75.67.H		
④ 1 Bottom clamp, individual	75.40	≈ 0,03 kg	
⑧ 1 Interface connector, individual	75.60		
⑥ 1 Screw M6 x 16, individual	MAT 0040209		
⑦ 1 Sliding nut M6, individual	MAT 0040057		
② 1 Glide bar, individual, 2 m section	82.79	≈ 0,60 kg	
⑤ 1 C-profile, individual	92.52.	≈ 0,90 kg/m	

Order example: Length of travel 30 m - Center mounted for Series 2700.07.200.0 with $B_{Ri} = 95$

Guide trough set (set of 2 trough side parts, incl. glide strips) **without** glide bar

Order text: 16 m guide trough without glide bar (8 x 2 m sections)	Part No.	972.30.SL
---	-----------------	------------------

Guide trough set (set of 2 trough side parts, incl. glide strips) **with** glide bar

Order text: 16 m guide trough with glide bar (8 x 2 m sections)	Part No.	972.32.SL
--	-----------------	------------------

Installation set "Basic" complete (guide trough-sets + 1)

Order text: 17 installation sets "Basic"	Part No.	960.30.150
---	-----------------	-------------------

Module for the fixed end

Order text: 1 set	Part No.	972.81
--------------------------	-----------------	---------------

Option: For an additional noise dampening with silencer profile, please add Index A Example:

	Part No.	972.30.SLA
--	-----------------	-------------------

Lengths of C-profile for Basic version - Bottom clamp attached optionally **inwards** or **outwards**

2700

2700.05.200.0

B_{Ri} [mm]	Part No. attached inwards	Part No. attached outwards
.05 70	*	960.30.175
.06 85	960.30.150	960.30.200
.07 95	960.30.150	960.30.200
.09 110	960.30.175	960.30.225
.10 120	960.30.175	960.30.225
.12 145	960.30.200	960.30.250
.15 170	960.30.225	960.30.275
.17 198	960.30.250	960.30.300

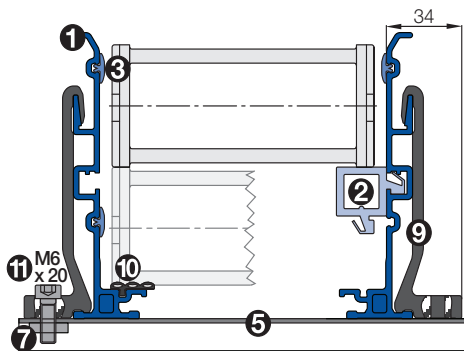
R58

58.075.200.0

B_{Ri} [mm]	Part No. attached inwards	Part No. attached outwards
.050 70	*	960.30.175
.075 95	960.30.150	960.30.200
.100 120	960.30.175	960.30.225
.125 145	960.30.200	960.30.250
.150 170	960.30.225	960.30.275
.175 195	960.30.250	960.30.300
.200 220	960.30.275	960.30.325

*upon request

"Heavy Duty" Version | Installation set Part No. Nr. 972.50



- **Components, trough "Heavy Duty":** ❶ Trough side parts, aluminum, 2 m ❷ Glide bar, plastic, 2 m ❸ Glide strips, plastic 2 m (without glide strips on request) ❿ Optional: Silencer profile, rubber
- **Components, installation set "Heavy Duty":** ❺ C-profile, steel galvanized ❽ Sliding nut M6 ❾ Heavy duty bracket, aluminum ❶❶ Screw M6 x 20

Note: Dimensions similar to Basic version!
Exception: Heavy duty bracket, see drawing



- = Guide trough
- = Glide bar
- = Installation set "Heavy duty"
- = C-profile



Insert for the installation set "Heavy-Duty": **972.50.XXX** instead of **960.30.XXX** on the right column "attached outwards"

"Heavy Duty" installation set Part No. 972.50. 150

! The inner width of the guide through and the length of the C-Profile of the assembly kit can differ according to the bracket you choose. Please call us!

For the following E-Chains®/E-Tubes:

- System E2 Series
 - 3500
- System E2 E-Tubes Series
 - R68
- System E4 Series
 - E4.42/H4.42/R4.42
 - 380/390/R780
 - 3838/3938/R7838
- System E6 Series
 - E6.52/R6.52
- E2 medium classic
 - 350 classic

B_a = Outer E-Chain® width
 B_i = Inner E-Chain® width
 h_a = E-Chain® outer height
 H_{Ri} = Inner trough height
 H_{Ra} = Outer trough height
 B_{Ri} = Inner trough width ▶ depends on dim. B_a
 B_{Ra} = Outer trough width

$H_{Ri} \geq 2 \cdot h_a$
 $B_{Ri} \geq B_a + 4$

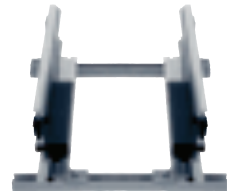
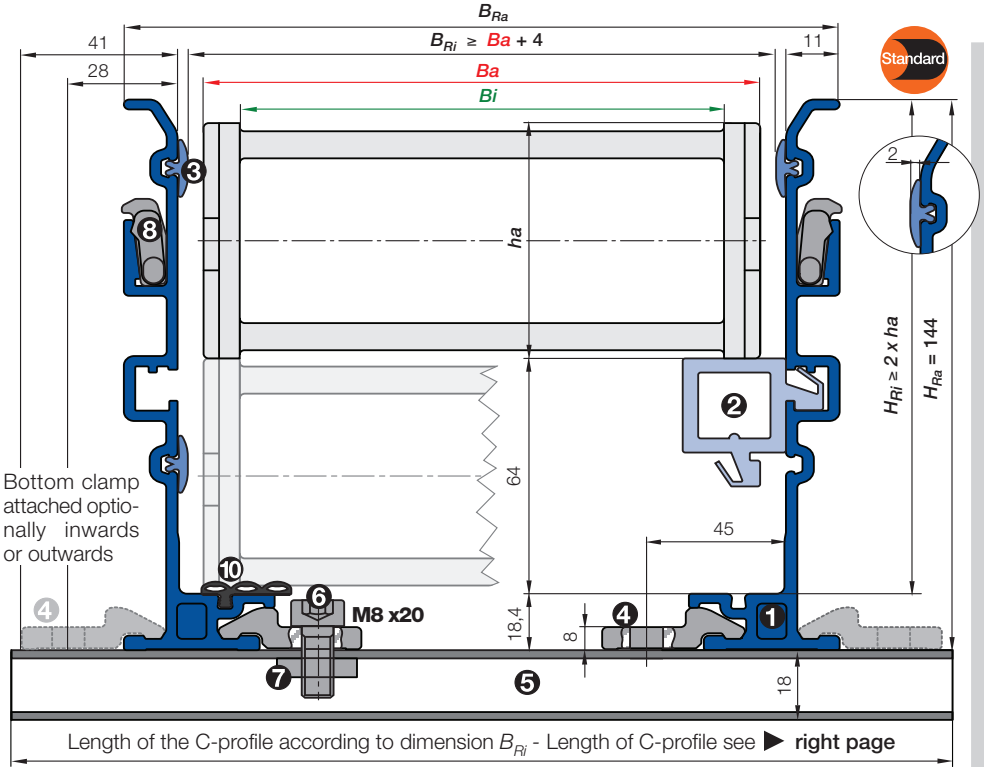
- = Guide trough
- = Glide bar
- = Installation set "Basic"
- = C-profile

Calculation - travel center mounted

Half travel length, rounded down to full 2 m sections = **X m guide trough length without glide bars** + **X m guide trough length with glide bars** + **installation sets "Basic"** (number of trough pieces + 1)

Supplement Part No. with the indicated C-profile-length-index.
Example: 960.40.175
 C-profile length-index for your chosen trough inner width B_{Ri} ▶ see table on the right or the respective page for chosen series

Fixed end module - A quick fix for mounting the stationary end of an E-Chain® ▶ [page 9.16](#)



- **Components, trough "Basic":** ① Trough side parts, aluminum, 2 m ② Glide bar, plastic, 2 m ③ Glide strips, plastic, 2 m (without glide strips on request) ⑩ Optional: Silencer profile, rubber
- **Components, installation set "Basic":** ④ Bottom clamp, aluminum ⑤ C-profile, steel galvanized ⑥ Screw M8 x 20 ⑦ Sliding nut M8 ⑧ Interface connector, plastic

Basic version: Aluminum "SuperTrough" components

Complete guide trough sets - description	Part No.	Weight	kg
① Set of 2 trough side parts, incl. glide strips, without glide bars, 2 m section	973.30.SL	≈ 8,00 kg	
① Set of 2 trough side parts, incl. glide strips, with glide bars, 2 m section	973.31.SL	≈ 10,8 kg	
1 Installation set "Basic" without C-profile	960.40.	≈ 0,08 kg	
1 Installation set "Basic" with C-profile	960.40.		
Single parts - description			
③ 1 Glide strip, individual, 2 m section	75.01	≈ 0,06 kg	
⑩ 1 Silencer profile, rubber, individual, 2 m section	75.68.H		
④ 1 Bottom clamp, individual	75.50	≈ 0,04 kg	
⑧ 1 Interface connector, individual	75.60		
⑥ 1 Screw M8 x 20, individual	MAT 0040445		
⑦ 1 Sliding nut M8, individual	MAT 0040413		
② 1 Glide bar, individual, 2 m section	83.79	≈ 1,30 kg	
⑤ 1 C-profile, individual	92.52.	≈ 0,90 kg/m	

Order example: Length of travel 30 m - Center mounted for Series 3500.100.200.0 with $B_{Ri} = 124$

Guide trough set (set of 2 trough side parts, incl. glide strips) **without** glide bar

Order text: 16 m guide trough without glide bar (8 x 2 m sections)	Part No.	973.30.SL
---	-----------------	------------------

Guide trough set (set of 2 trough side parts, incl. glide strips) **with** glide bar

Order text: 16 m guide trough with glide bar (8 x 2 m sections)	Part No.	973.31.SL
--	-----------------	------------------

Installation set "Basic" complete (guide trough-sets + 1)

Order text: 17 installation sets "Basic"	Part No.	960.40.175
---	-----------------	-------------------

Module for the fixed end

Order text: 1 set	Part No.	973.80
--------------------------	-----------------	---------------

Option: For an additional noise dampening with silencer profile, please add Index A Example:

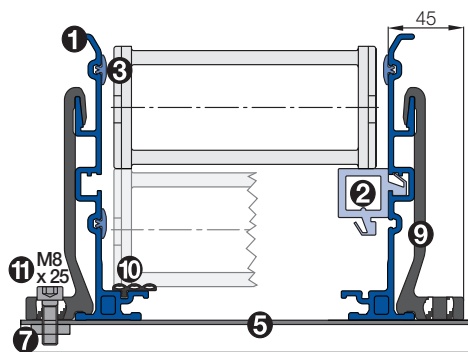
Part No.	973.30.SLA
-----------------	-------------------

Lengths of C-profile for Basic version - Bottom clamp attached optionally inwards or outwards

3500			E4.42/H4.42/R4.42			380/390/R780			3838/3938/R7838			E6.52/R6.52			
3500.050.200.0			E4.42.05.200.0			380.05.200.0			3838.05.200.0			E6.52.040.200.0			
B_{Ri} [mm]	Part No. attached inwards	Part No. attached outwards	B_{Ri} [mm]	Part No. attached inwards	Part No. attached outwards	B_{Ri} [mm]	Part No. attached inwards	Part No. attached outwards	B_{Ri} [mm]	Part No. attached inwards	Part No. attached outwards	B_{Ri} [mm]	Part No. attached inwards	Part No. attached outwards	
.050	74 *	960.40.200	.05	80 *	960.40.200	.05	80 *	960.40.200	.05	81 *	960.40.200	.040	68 *	960.40.200	
.075	99 *	960.40.225	.06	98 *	960.40.225	.06	98 *	960.40.225	.06	99 *	960.40.225	.050	78 *	960.40.200	
.100	124	960.40.175	960.40.250	.07	105 *	960.40.225	.07	105 *	960.40.225	.07	106 *	960.40.225	.062	90 *	960.40.225
.115	139	960.40.200	960.40.275	.087	118	960.40.175	960.40.250	.087	118	960.40.175	960.40.250	.070	98 *	960.40.225	
.125	149	960.40.200	960.40.275	.10	130	960.40.200	960.40.250	.10	130	960.40.200	960.40.250	.075	103 *	960.40.225	
.150	174	960.40.225	960.40.300	.11	138	960.40.200	960.40.275	.11	138	960.40.200	960.40.275	.087	115 *	960.40.250	
.175	199	960.40.250	960.40.325	.112	143	960.40.200	960.40.275	.112	143	960.40.200	960.40.275	.100	128	960.40.175	960.40.250
.200	224	960.40.275	960.40.350	.12	155	960.40.225	960.40.275	.12	155	960.40.225	960.40.275	.125	153	960.40.200	960.40.275
.225	249	960.40.300	960.40.375	.137	168	960.40.225	960.40.300	.137	168	960.40.225	960.40.300	.150	178	960.40.225	960.40.300
.250	274	960.40.325	960.40.400	.15	180	960.40.250	960.40.300	.15	180	960.40.250	960.40.300	.175	203	960.40.250	960.40.325
				.162	193	960.40.250	960.40.325	.162	193	960.40.250	960.40.325	.200	228	960.40.275	960.40.350
				.17	198	960.40.250	960.40.325	.17	198	960.40.250	960.40.325	.225	253	960.40.300	960.40.375
				.18	205	960.40.275	960.40.325	.18	205	960.40.275	960.40.325	.250	278	960.40.325	960.40.400
				.187	218	960.40.275	960.40.350	.187	218	960.40.275	960.40.350	.275	303	960.40.350	960.40.425
				.20	230	960.40.300	960.40.350	.20	230	960.40.300	960.40.350	.300	328	960.40.375	960.40.450
				.212	243	960.40.300	960.40.375	.212	243	960.40.300	960.40.375				
				.23	255	960.40.325	960.40.375	.23	255	960.40.325	960.40.375				
				.237	268	960.40.325	960.40.400	.237	268	960.40.325	960.40.400				
				.25	280	960.40.350	960.40.400	.25	280	960.40.350	960.40.400				
				.262	293	960.40.350	960.40.425	.262	293	960.40.350	960.40.425				
				.28	305	960.40.375	960.40.425	.28	305	960.40.375	960.40.425				
				.29	318	960.40.375	960.40.450	.29	318	960.40.375	960.40.450				
				.30	330	960.40.400	960.40.450	.30	330	960.40.400	960.40.450				
				.312	343	960.40.400	960.40.475	.312	343	960.40.400	960.40.475				
				.325	355	960.40.425	960.40.475	.325	355	960.40.425	960.40.475				
				.337	368	960.40.425	960.40.500	.337	368	960.40.425	960.40.500				
				.350	380	960.40.450	960.40.500	.350	380	960.40.450	960.40.500				
				.362	393	960.40.450	960.40.525	.362	393	960.40.450	960.40.525				
				.375	406	960.40.475	960.40.525	.375	406	960.40.475	960.40.525				
				.387	418	960.40.475	960.40.550	.387	418	960.40.475	960.40.550				
				.400	430	960.40.500	960.40.550	.400	430	960.40.500	960.40.550				

*upon request

"Heavy Duty" Version | Installation set Part No. 973.50



- Components, trough "Heavy Duty": ① Trough side parts, aluminum, 2 m ② Glide bar, plastic, 2 m ③ Glide strips, plastic 2 m (without glide strips on request) ⑩ Optional: Silencer profile, rubber
- Components, installation set "Heavy Duty": ⑤ C-profile, steel galvanized ⑦ Sliding nut M8 ⑨ Heavy duty bracket, aluminum ⑪ Screw M8 x 25

Note: Dimensions similar to Basic version!
Exception: Heavy duty bracket, see drawing



- = Guide trough
- = Glide bar
- = Installation set "Heavy duty"
- = C-profile

Insert for the installation set "Heavy-Duty": **973.50.XXX** instead of **960.40.XXX** on the right column "attached outwards"

"Heavy Duty" installation set Part No **973.50.175**

! The inner width of the guide through and the length of the C-Profile of the assembly kit can differ according to the bracket you choose. Please call us!

- For the following E-Chains®/E-Tubes:
- System E4 Series**
 - E4.56/H4.56/R4.56
 - 400/410/R880
 - 4040/4140/R8840
 - 14040/14140/R18840
 - 14240/14340
 - System E6 Series**
 - E6.62

Ba = Outer E-Chain® width
 Bi = Inner E-Chain® width
 ha = E-Chain® outer height
 H_{Ri} = Inner trough height
 H_{Ra} = Outer trough height
 B_{Ri} = Inner trough width ▶ depends on dim. Ba
 B_{Ra} = Outer trough width

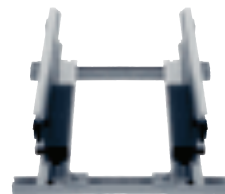
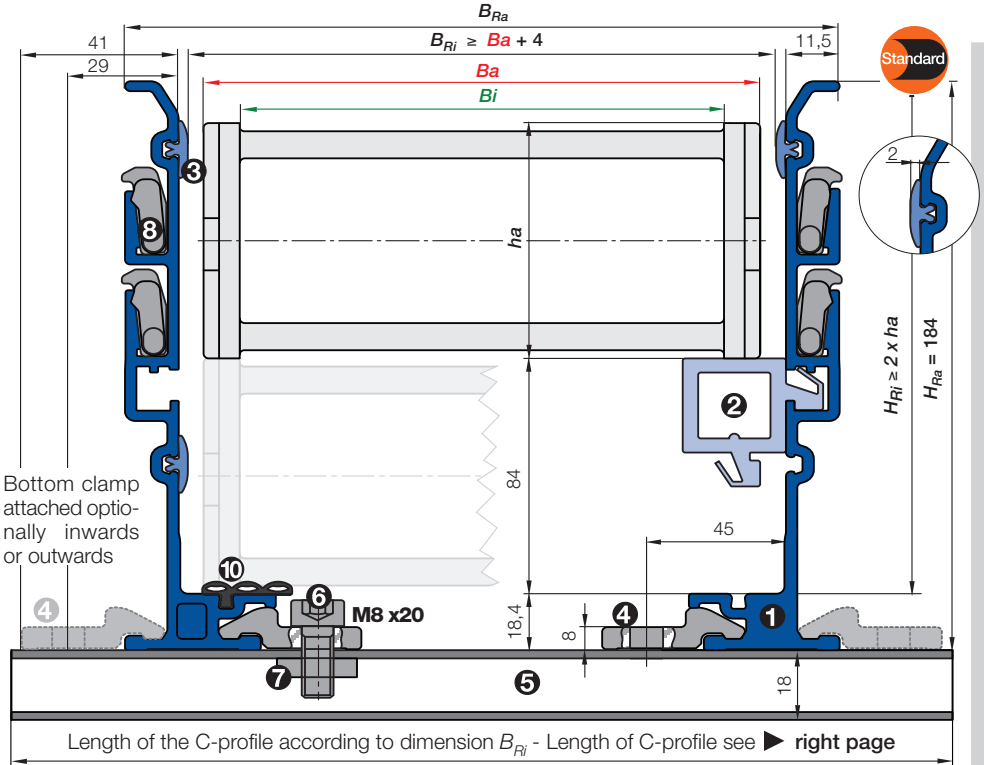
! $H_{Ri} \geq 2 \cdot ha$
 ■ $B_{Ri} \geq Ba + 4$

- = Guide trough
- = Glide bar
- = Installation set "Basic"
- = C-profile

Calculation - travel center mounted
 Half travel length, rounded down to full 2 m sections = **X m guide trough length without glide bars** + **X m guide trough length with glide bars** + **installation sets "Basic"** (number of trough pieces + 1)

Supplement Part No. with the indicated C-profile-length-index.
Example: 960.50.200
 C-profile length-index for your chosen trough inner width B_{Ri} ▶ see table on the right or the respective page for chosen series

Fixed end module - A quick fix for mounting the stationary end of an E-Chain® ▶ **page 9.16**



- **Components, trough "Basic":** ① Trough side parts, aluminum, 2 m ② Glide bar, plastic, 2 m ③ Glide strips, plastic, 2 m (without glide strips on request) ⑩ Optional: Silencer profile, rubber
- **Components, installation set "Basic":** ④ Bottom clamp, aluminum ⑤ C-profile, steel galvanized ⑥ Screw M8 x 20 ⑦ Sliding nut M8 ⑧ Interface connector, plastic

Basic version: Aluminum "SuperTrough" components

Complete guide trough sets - description	Part No.	Weight	kg
① Set of 2 trough side parts, incl. glide strips, without glide bars, 2 m section	974.30.SL	≈ 10,0 kg	
① Set of 2 trough side parts, incl. glide strips, with glide bars, 2 m section	974.31.SL	≈ 12,8 kg	
1 Installation set "Basic" without C-profile	960.50	≈ 0,08 kg	
1 Installation set "Basic" with C-profile	960.50.		
Single parts - description			
③ 1 Glide strip, individual, 2 m section	75.01	≈ 0,06 kg	
⑩ 1 Silencer profile, rubber, individual, 2 m section	75.68.H		
④ 1 Bottom clamp, individual	75.50	≈ 0,04 kg	
⑧ 1 Interface connector, individual	75.60		
⑥ 1 Screw M8 x 20, individual	MAT 0040445		
⑦ 1 Sliding nut M8, individual	MAT 0040413		
② 1 Glide bar, individual, 2 m section	83.79	≈ 1,30 kg	
⑤ 1 C-profile, individual	92.52.	≈ 0,90 kg/m	

Order example: Length of travel 30 m - Center mounted for Series E4.56.10.250.0 with $B_{Ri} = 138$

Guide trough set (set of 2 trough side parts, incl. glide strips) **without** glide bar

Order text: 16 m guide trough without glide bar (8 x 2 m sections)	Part No.	974.30.SL
---	-----------------	------------------

Guide trough set (set of 2 trough side parts, incl. glide strips) **with** glide bar

Order text: 16 m guide trough with glide bar (8 x 2 m sections)	Part No.	974.31.SL
--	-----------------	------------------

Installation set "Basic" complete (guide trough-sets + 1)

Order text: 17 installation sets "Basic"	Part No.	960.50.200
---	-----------------	-------------------

Module for the fixed end

Order text: 1 set	Part No.	974.80
--------------------------	-----------------	---------------

Option: For an additional noise dampening with silencer profile, please add Index A Example:

Part No.	974.30.SLA
-----------------	-------------------



For the following
E-Chains®/E-Tubes:

System E4 Series

- 4040HD/R8840HD

We especially recommend for the igus® E4/4 series 4040 HD (Heavy Duty) this trough system. Structurally identical with trough 974.30.SL yet with special HD-installation set, suitable for ambitious applications.

- B_a = Outer E-Chain® width
- B_i = Inner E-Chain® width
- h_a = E-Chain® outer height
- H_{Ri} = Inner trough height
- H_{Ra} = Outer trough height
- B_{Ri} = Inner trough width ▶ depends on dim. B_a
- B_{Ra} = Outer trough width

! $H_{Ri} \geq 2 \cdot h_a$
■ $B_{Ri} \geq B_a + 4$

- = Guide trough
- = Glide bar
- = Installation set
- = C-profile

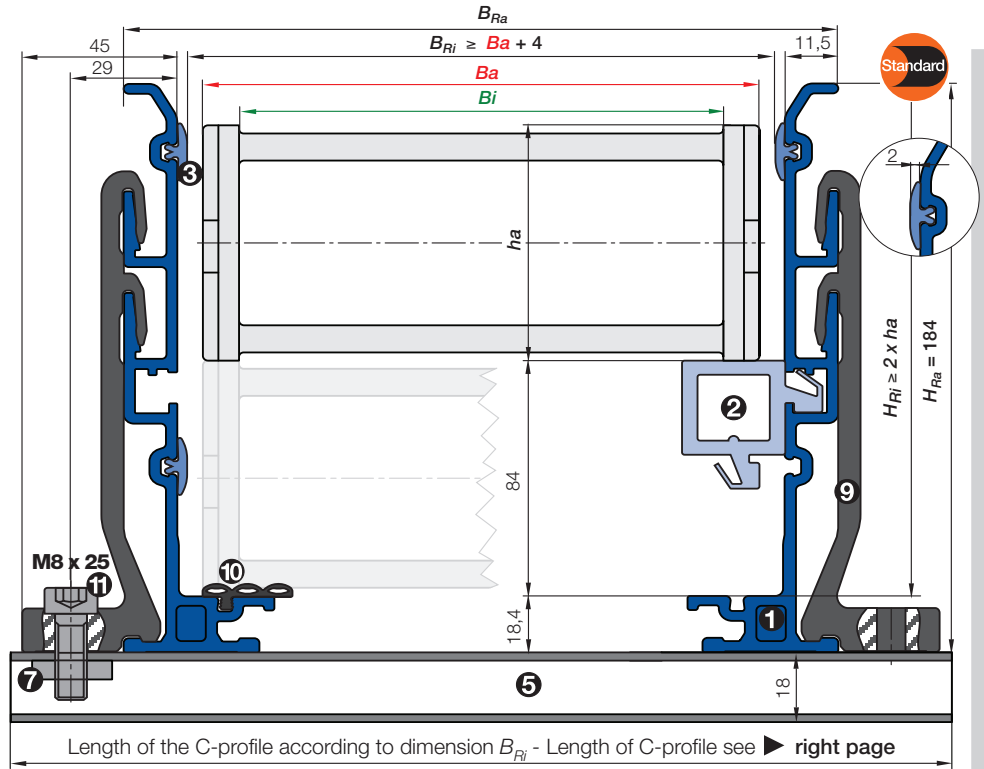


Calculation - travel
center mounted

Half travel length, rounded down to full 2 m sections = X m guide trough length without glide bars + X m guide trough length with glide bars + installation sets (number of trough pieces + 1)

Supplement Part No. with the indicated C-profile-length-index.
Example: 974.50.

C-profile length-index for your chosen trough inner width B_{Ri} ▶ see table on the right or the respective page for chosen series



- Components, trough "Heavy Duty": ① Trough side parts, aluminum, 2 m ② Glide bar, plastic, 2 m ③ Glide strips, plastic, 2 m (without glide strips on request) ⑩ Optional: Silencer profile, rubber
- Components, installation set "Heavy Duty": ⑤ C-profile, steel galvanized ⑦ Sliding nut M8 ⑨ Heavy duty bracket, aluminum ⑪ Screw M8 x 25

Heavy Duty version: Aluminum "SuperTrough" components

Complete guide trough sets - description	Part No.	Weight
① Set of 2 trough side parts, incl. glide strips, without glide bars, 2 m section	974.30.SL	≈ 10,0 kg
① Set of 2 trough side parts, incl. glide strips, with glide bars, 2 m section	974.31.SL	≈ 12,8 kg
⑨ 1 Installation set "Heavy Duty" without C-profile	974.50	≈ 0,40 kg
1 Installation set "Heavy Duty" with C-profile	974.50. <input type="text"/>	
Single parts - description		
③ 1 Glide strip, individual, 2 m section	75.01	≈ 0,06 kg
⑩ 1 Silencer profile, rubber, individual, 2 m section	75.68.H	
⑪ 1 Screw M8 x 25, individual	MAT 0040445	
⑦ 1 Sliding nut M8, individual	MAT 0040413	
② 1 Glide bar, individual, 2 m section	83.79	≈ 1,30 kg
⑤ 1 C-profile, individual	92.52. <input type="text"/>	≈ 0,90 kg/m



Order example: Length of travel 30 m -
Center mounted for Series 4040HD.10.250.0 with $B_{Ri} = 158$

Guide trough set (set of 2 trough side parts, incl. glide strips) without glide bar	Order text: 16 m guide trough without glide bar (8 x 2 m sections)	Part No.	974.30.SL
Guide trough set (set of 2 trough side parts, incl. glide strips) with glide bar	Order text: 16 m guide trough with glide bar (8 x 2 m sections)	Part No.	974.31.SL
Installation set "Heavy Duty" complete (guide trough-sets + 1)	Order text: 17 installation sets "Heavy Duty"	Part No.	974.50. <input type="text" value="275"/>
Module for the fixed end	Order text: 1 set	Part No.	974.80
Option: For an additional noise dampening with silencer profile, please add Index A Example:		Part No.	974.30.SLA

Lengths of C-profile

4040HD/R8840HD

4040HD.05.250.0

B_{Ri} [mm]	Part No. assembled
.05 108	974.50.225
.06 123	974.50.250
.07 133	974.50.250
.08 146	974.50.275
.10 158	974.50.275
.11 170	974.50.300
.12 183	974.50.300
.13 195	974.50.325
.15 208	974.50.325
.16 220	974.50.350
.17 233	974.50.350
.18 245	974.50.375
.20 258	974.50.375
.21 270	974.50.400
.22 283	974.50.400
.23 295	974.50.425
.25 308	974.50.425
.26 320	974.50.450
.27 333	974.50.450
.28 345	974.50.475
.30 358	974.50.475
.31 370	974.50.500
.32 383	974.50.500
.33 395	974.50.525
.35 408	974.50.525
.36 420	974.50.550
.37 433	974.50.550
.38 445	974.50.575
.40 458	974.50.575
.41 470	974.50.600
.42 483	974.50.600
.43 495	974.50.625
.45 508	974.50.625
.46 520	974.50.650
.47 533	974.50.650
.48 545	974.50.675
.50 558	974.50.675
.51 570	974.50.700
.52 583	974.50.700
.53 595	974.50.725
.55 608	974.50.725
.60 658	974.50.775



For the following
E-Chains®/E-Tubes:

System E4 Series

- E4.80/H4.80/R4.80
- 5050/5150/R9850
- 15050/15150/R19850

System E6 Series

- E6.80

B_a = Outer E-Chain® width
 B_i = Inner E-Chain® width
 h_a = E-Chain® outer height
 H_{Ri} = Inner trough height
 H_{Ra} = Outer trough height
 B_{Ri} = Inner trough width ▶ depends on dim. B_a
 B_{Ra} = Outer trough width

! $H_{Ri} \geq 2 \cdot h_a$
 ■ $B_{Ri} \geq B_a + 4$

- = Guide trough
- = Glide bar
- = Installation set "Basic"
- = C-profile



Calculation - travel center mounted

Half travel length, rounded down to full 2 m sections = **X m guide trough length without glide bars** + **X m guide trough length with glide bars** + **installation sets "Basic"** (number of trough pieces + 1)

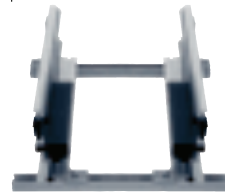
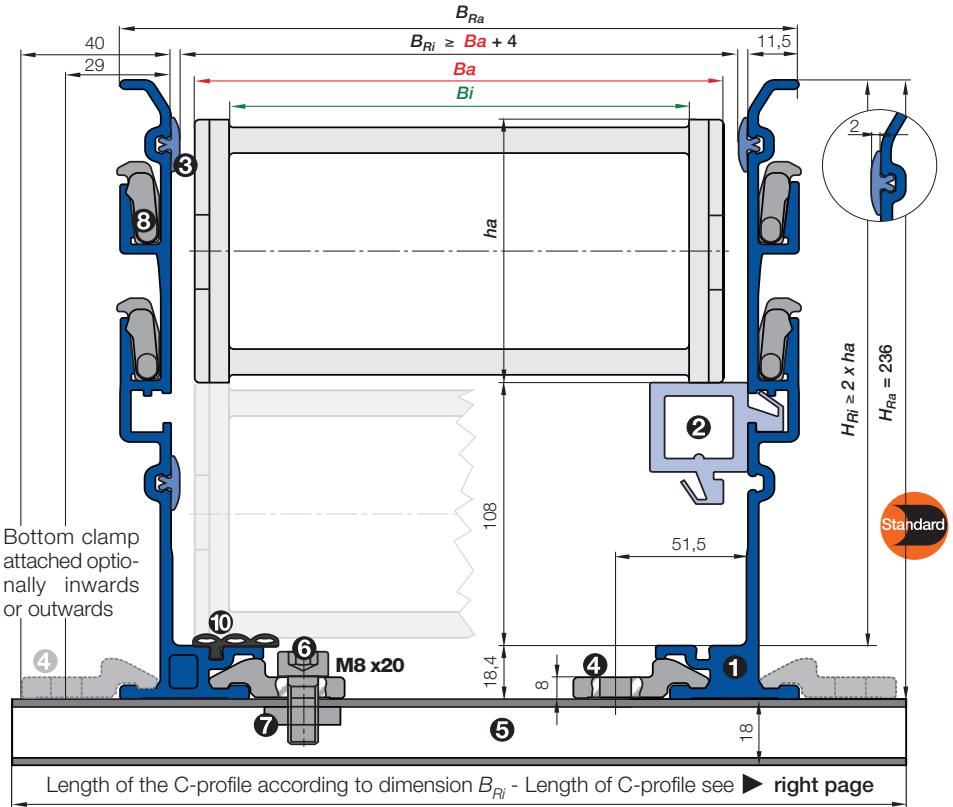
Supplement Part No. with the indicated C-profile-length-index.

Example: 960.50.200

C-profile length-index for your chosen trough inner width B_{Ri} ▶ see table on the right or the respective page for chosen series



Fixed end module - A quick fix for mounting the stationary end of an E-Chain® ▶ **page 9.16**



- **Components, trough "Basic":** ① Trough side parts, aluminum, 2 m ② Glide bar, plastic, 2 m ③ Glide strips, plastic, 2 m (without glide strips on request) ⑩ Optional: Silencer profile, rubber
- **Components, installation set "Basic":** ④ Bottom clamp, aluminum ⑤ C-profile, steel galvanized ⑥ Screw M8 x 20 ⑦ Sliding nut M8 ⑧ Interface connector, plastic

Basic version: Aluminum "SuperTrough" components

Complete guide trough sets - description	Part No.	Weight	kg
① Set of 2 trough side parts, incl. glide strips, without glide bars, 2 m section	975.30.SL	≈ 14,0 kg	
① Set of 2 trough side parts, incl. glide strips, with glide bars, 2 m section	975.31.SL	≈ 16,6 kg	
1 Installation set "Basic" without C-profile	960.50	≈ 0,08 kg	
1 Installation set "Basic" with C-profile	960.50.		
Single parts - description			
③ 1 Glide strip, individual, 2 m section	75.01	≈ 0,06 kg	
⑩ 1 Silencer profile, rubber, individual, 2 m section	75.68.H		
④ 1 Bottom clamp, individual	75.50	≈ 0,04 kg	
⑧ 1 Interface connector, individual	75.60		
⑥ 1 Screw M8 x 20, individual	MAT 0040445		
⑦ 1 Sliding nut M8, individual	MAT 0040413		
② 1 Glide bar, individual, 2 m section	83.79	≈ 1,30 kg	
⑤ 1 C-profile, individual	92.52.	≈ 0,90 kg/m	



Order example: Length of travel 30 m - Center mounted for Series 5050.30.300.0 with $B_{Ri} = 345$

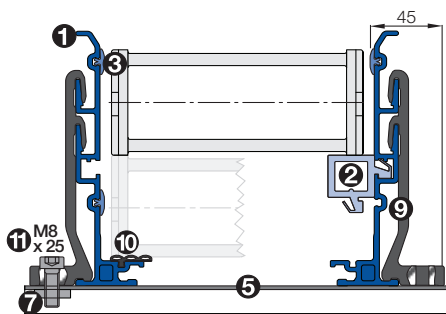
Guide trough set (set of 2 trough side parts, incl. glide strips) without glide bar		
Order text: 16 m guide trough without glide bar (8 x 2 m sections)	Part No.	975.30.SL
Guide trough set (set of 2 trough side parts, incl. glide strips) with glide bar		
Order text: 16 m guide trough with glide bar (8 x 2 m sections)	Part No.	975.31.SL
Installation set "Basic" complete (guide trough-sets + 1)		
Order text: 17 installation sets "Basic"	Part No.	960.50.425
Module for the fixed end		
Order text: 1 set	Part No.	975.80
Option: For an additional noise dampening with silencer profile, please add Index A Example:	Part No.	975.30.SLA

Lengths of C-profile for Basic version - Bottom clamp attached optionally inwards or outwards

E4.80/H4.80/R4.80				5050/5150/R9850				15050/15150/R19850				E6.80			
E4.80.05.200.0				5050.05.200.0				15050.05.200.0				E6.80.30.300.0			
B_{Ri} [mm]	Part No. attached inwards	Part No. attached outwards		B_{Ri} [mm]	Part No. attached inwards	Part No. attached outwards		B_{Ri} [mm]	Part No. attached inwards	Part No. attached outwards		B_{Ri} [mm]	Part No. attached inwards	Part No. attached outwards	
.05	104	*	960.50.225	.05	104	*	960.50.225	.05	84	*	960.50.200	.05	104	*	960.50.225
.06	119	*	960.50.250	.06	119	*	960.50.250	.06	99	*	960.50.225	.06	119	*	960.50.250
.07	129	*	960.50.250	.07	129	*	960.50.250	.07	109	*	960.50.225	.07	129	*	960.50.250
.08	141	960.50.200	960.50.275	.08	141	960.50.200	960.50.275	.08	121	*	960.50.250	.08	141	960.50.200	960.50.275
.10	154	960.50.225	960.50.275	.10	154	960.50.225	960.50.275	.10	134	*	960.50.250	.10	154	960.50.225	960.50.275
.11	167	960.50.225	960.50.300	.11	167	960.50.225	960.50.300	.11	146	960.50.200	960.50.275	.11	167	960.50.225	960.50.300
.12	179	960.50.250	960.50.300	.12	179	960.50.250	960.50.300	.12	159	960.50.225	960.50.275	.12	179	960.50.250	960.50.300
.13	192	960.50.250	960.50.325	.13	192	960.50.250	960.50.325	.13	171	960.50.225	960.50.300	.13	192	960.50.250	960.50.325
.15	204	960.50.275	960.50.325	.15	204	960.50.275	960.50.325	.15	184	960.50.250	960.50.300	.15	204	960.50.275	960.50.325
.16	217	960.50.275	960.50.350	.16	217	960.50.275	960.50.350	.16	196	960.50.250	960.50.325	.16	217	960.50.275	960.50.350
.17	229	960.50.300	960.50.350	.17	229	960.50.300	960.50.350	.17	209	960.50.275	960.50.325	.17	229	960.50.300	960.50.350
.18	242	960.50.300	960.50.375	.18	242	960.50.300	960.50.375	.18	221	960.50.275	960.50.350	.18	242	960.50.300	960.50.375
.20	254	960.50.325	960.50.375	.20	254	960.50.325	960.50.375	.20	234	960.50.300	960.50.350	.20	254	960.50.325	960.50.375
.21	267	960.50.325	960.50.400	.21	267	960.50.325	960.50.400	.21	246	960.50.300	960.50.375	.21	267	960.50.325	960.50.400
.22	279	960.50.350	960.50.400	.22	279	960.50.350	960.50.400	.22	259	960.50.325	960.50.375	.22	279	960.50.350	960.50.400
.23	292	960.50.350	960.50.425	.23	292	960.50.350	960.50.425	.23	271	960.50.325	960.50.400	.23	292	960.50.350	960.50.425
.25	304	960.50.375	960.50.425	.25	304	960.50.375	960.50.425	.25	284	960.50.350	960.50.400	.25	304	960.50.375	960.50.425
.26	317	960.50.375	960.50.450	.26	317	960.50.375	960.50.450	.26	296	960.50.350	960.50.425	.26	317	960.50.375	960.50.450
.27	329	960.50.400	960.50.450	.27	329	960.50.400	960.50.450	.27	309	960.50.375	960.50.425	.27	329	960.50.400	960.50.450
.28	342	960.50.400	960.50.475	.28	342	960.50.400	960.50.475	.28	321	960.50.375	960.50.450	.28	342	960.50.400	960.50.475
.30	354	960.50.425	960.50.475	.30	354	960.50.425	960.50.475	.30	334	960.50.400	960.50.450	.30	354	960.50.425	960.50.475
.31	367	960.50.425	960.50.500	.31	367	960.50.425	960.50.500	.31	346	960.50.400	960.50.475	.31	367	960.50.425	960.50.500
.32	379	960.50.450	960.50.500	.32	379	960.50.450	960.50.500	.32	359	960.50.425	960.50.475	.32	379	960.50.450	960.50.500
.33	392	960.50.450	960.50.525	.33	392	960.50.450	960.50.525	.33	371	960.50.425	960.50.500	.33	392	960.50.450	960.50.525
.35	404	960.50.475	960.50.525	.35	404	960.50.475	960.50.525	.35	384	960.50.450	960.50.500	.35	404	960.50.475	960.50.525
.36	417	960.50.475	960.50.550	.36	417	960.50.475	960.50.550	.36	396	960.50.450	960.50.525	.36	417	960.50.475	960.50.550
.37	429	960.50.500	960.50.550	.37	429	960.50.500	960.50.550	.37	409	960.50.475	960.50.525	.37	429	960.50.500	960.50.550
.38	442	960.50.500	960.50.575	.38	442	960.50.500	960.50.575	.38	421	960.50.475	960.50.550	.38	442	960.50.500	960.50.575
.40	454	960.50.525	960.50.575	.40	454	960.50.525	960.50.575	.40	434	960.50.500	960.50.550	.40	454	960.50.525	960.50.575
.41	467	960.50.525	960.50.600	.41	467	960.50.525	960.50.600	.41	446	960.50.500	960.50.575	.41	467	960.50.525	960.50.600
.42	479	960.50.550	960.50.600	.42	479	960.50.550	960.50.600	.42	459	960.50.525	960.50.575	.42	479	960.50.550	960.50.600
.43	492	960.50.550	960.50.625	.43	492	960.50.550	960.50.625	.43	471	960.50.525	960.50.600	.43	492	960.50.550	960.50.625
.45	504	960.50.575	960.50.625	.45	504	960.50.575	960.50.625	.45	484	960.50.550	960.50.600	.45	504	960.50.575	960.50.625
.46	517	960.50.575	960.50.650	.46	517	960.50.575	960.50.650	.46	496	960.50.550	960.50.625	.46	517	960.50.575	960.50.650
.47	529	960.50.600	960.50.650	.47	529	960.50.600	960.50.650	.47	509	960.50.575	960.50.625	.47	529	960.50.600	960.50.650
.48	542	960.50.600	960.50.675	.48	542	960.50.600	960.50.675	.48	521	960.50.575	960.50.650	.48	542	960.50.600	960.50.675
.50	554	960.50.625	960.50.675	.50	554	960.50.625	960.50.675	.50	534	960.50.600	960.50.650	.50	554	960.50.625	960.50.675
.51	567	960.50.625	960.50.700	.51	567	960.50.625	960.50.700	.51	546	960.50.600	960.50.675	.51	567	960.50.625	960.50.700
.52	579	960.50.650	960.50.700	.52	579	960.50.650	960.50.700	.52	559	960.50.625	960.50.675	.52	579	960.50.650	960.50.700
.53	592	960.50.650	960.50.725	.53	592	960.50.650	960.50.725	.53	571	960.50.625	960.50.700	.53	592	960.50.650	960.50.725
.55	604	960.50.675	960.50.725	.55	604	960.50.675	960.50.725	.55	584	960.50.650	960.50.700	.55	604	960.50.675	960.50.725
.60	654	960.50.725	960.50.775	.60	654	960.50.725	960.50.775	.60	634	960.50.700	960.50.750	.60	654	960.50.725	960.50.775

*upon request

"Heavy Duty" Version | Installation set Part No. 975.50



- Components, trough "Heavy Duty": ① Trough side parts, aluminum, 2 m ② Glide bar, plastic, 2 m ③ Glide strips, plastic 2 m (without glide strips on request) ⑩ Optional: Silencer profile, rubber
- Components, installation set "Heavy Duty": ⑤ C-profile, steel galvanized ⑦ Sliding nut M8 ⑨ Heavy duty bracket, aluminum ⑪ Screw M8 x 25

Note: Dimensions similar to Basic version!
Exception: Heavy duty bracket, see drawing



- = Guide trough
- = Glide bar
- = Installation set "Heavy duty"
- = C-profile

Insert for the installation set "Heavy-Duty": **975.50.XXX** instead of **960.50.XXX** on the right column "attached outwards"

"Heavy Duty" installation set Part No. 975.50.200

! The inner width of the guide through and the length of the C-Profile of the assembly kit can differ according to the bracket you choose. Please call us!



For the following
E-Chains®/E-Tubes:

System E4 Series

- 5050HD/R9850HD

We especially recommend for the igus® E4/4 series 5050 HD (Heavy Duty) this trough system. Structurally identical with trough 975.30.SL yet with special HD-installation set, suitable for ambitious applications.

- B_a = Outer E-Chain® width
- B_i = Inner E-Chain® width
- h_a = E-Chain® outer height
- H_{Ri} = Inner trough height
- H_{Ra} = Outer trough height
- B_{Ri} = Inner trough width ▶ depends on dim. B_a
- B_{Ra} = Outer trough width

! $H_{Ri} \geq 2 \cdot h_a$
■ $B_{Ri} \geq B_a + 4$

- = Guide trough
- = Glide bar
- = Installation set
- = C-profile



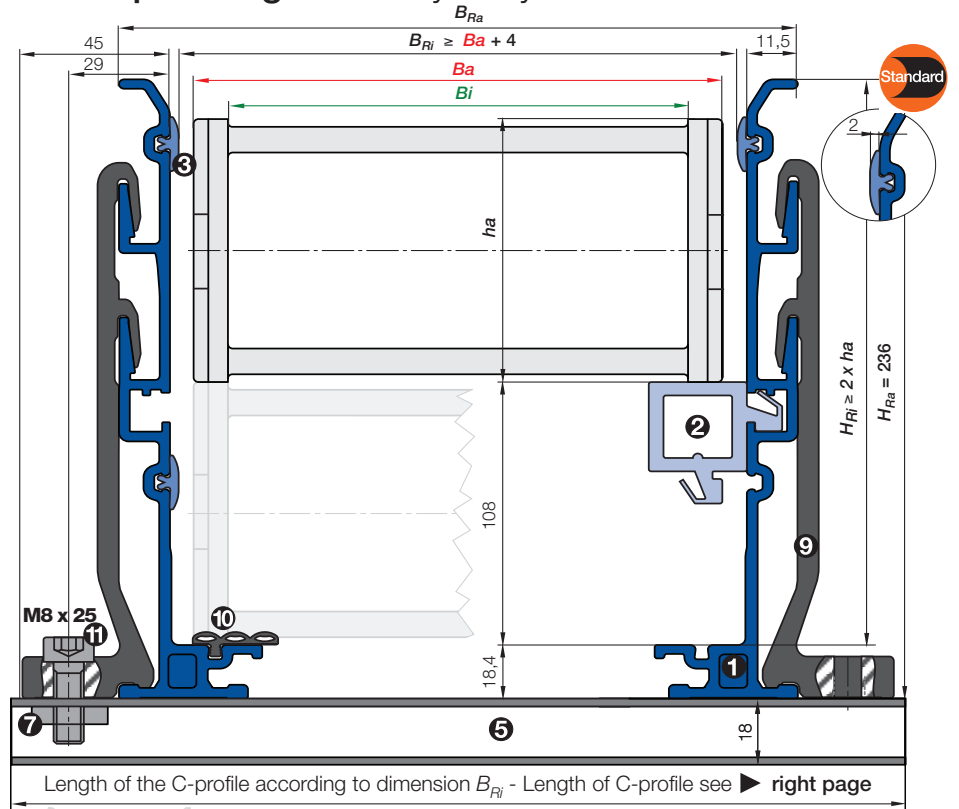
Calculation - travel center mounted

Half travel length, rounded down to full 2 m sections = X m guide trough length without glide bars + X m guide trough length with glide bars + installation sets (number of trough pieces + 1)

Supplement Part No. with the indicated C-profile-length-index.

Example: 975.50.

C-profile length-index for your chosen trough inner width B_{Ri} ▶ see table on the right or the respective page for chosen series



- Components, trough "Heavy Duty": 1 Trough side parts, aluminum, 2 m 2 Glide bar, plastic, 2 m 3 Glide strips, plastic, 2 m (without glide strips on request) 10 Optional: Silencer profile, rubber
- Components, installation set "Heavy Duty": 5 C-profile, steel galvanized 7 Sliding nut M8 9 Heavy duty bracket, aluminum 11 Screw M8 x 25

Heavy Duty version: Aluminum "SuperTrough" components

Complete guide trough sets - description	Part No.	Weight	kg
1 Set of 2 trough side parts, incl. glide strips, without glide bars, 2 m section	975.30.SL	≈ 14,0 kg	
1 Set of 2 trough side parts, incl. glide strips, with glide bars, 2 m section	975.31.SL	≈ 16,6 kg	
9 1 Installation set "Heavy Duty" without C-profile	975.50	≈ 0,53 kg	
1 Installation set "Heavy Duty" with C-profile	975.50. <input type="text"/>		
Single parts - description			
3 1 Glide strip, individual, 2 m section	75.01	≈ 0,06 kg	
10 1 Silencer profile, rubber, individual, 2 m section	75.68.H		
11 1 Screw M8 x 25, individual	MAT 0040445		
7 1 Sliding nut M8, individual	MAT 0040413		
2 1 Glide bar, individual, 2 m section	83.79	≈ 1,30 kg	
5 1 C-profile, individual	92.52. <input type="text"/>	≈ 0,90 kg/m	



Order example: Length of travel 30 m - Center mounted for Series 5050HD.10.250.0 with $B_{Ri} = 975.30.SL$

Guide trough set (set of 2 trough side parts, incl. glide strips) without glide bar	Order text: 16 m guide trough without glide bar (8 x 2 m sections)	Part No.	975.31.SL
Guide trough set (set of 2 trough side parts, incl. glide strips) with glide bar	Order text: 16 m guide trough with glide bar (8 x 2 m sections)	Part No.	975.50. <input type="text" value="300"/>
Installation set "Heavy Duty" complete (guide trough-sets + 1)	Order text: 17 installation sets "Heavy Duty"	Part No.	975.80
Module for the fixed end	Order text: 1 set	Part No.	975.30.SLA
Option: For an additional noise dampening with silencer profile, please add Index A Example:		Part No.	

Lengths of C-profile

5050HD/R9850HD

5050HD.30.300.0

B_{Ri} [mm]	Part No. assembled
.05 114	974.50.250
.06 129	974.50.250
.07 139	974.50.275
.08 152	974.50.275
.10 164	974.50.300
.11 176	974.50.300
.12 189	974.50.325
.13 201	974.50.325
.15 214	974.50.350
.16 226	974.50.350
.17 239	974.50.375
.18 251	974.50.375
.20 264	974.50.400
.21 276	974.50.400
.22 289	974.50.425
.23 301	974.50.425
.25 314	974.50.450
.26 326	974.50.450
.27 339	974.50.475
.28 351	974.50.475
.30 364	974.50.500
.31 376	974.50.500
.32 389	974.50.525
.33 401	974.50.525
.35 414	974.50.550
.36 426	974.50.550
.37 439	974.50.575
.38 451	974.50.575
.40 464	974.50.600
.41 476	974.50.600
.42 489	974.50.625
.43 501	974.50.625
.45 514	974.50.650
.46 526	974.50.650
.47 539	974.50.675
.48 551	974.50.675
.50 564	974.50.700
.51 576	974.50.700
.52 589	974.50.725
.53 601	974.50.725
.55 614	974.50.750
.60 664	974.50.800