



## e-tubes | Series R2.75 | Lids openable along the outer radius, from both sides

Part No. e-tubes openable along the outer radius	<i>Bi</i>	<i>Ba</i>	<i>R</i> Available bend radii										R2.75	
	[mm]	[mm]	[mm]											[kg/m]
R2.75.111.R.0	111	135	130	150	200	250	300*	350*	400*					≈ 3.175
R2.75.163.R.0	163	187	130	150	200	250	300*	350*	400*					≈ 3.672
R2.75.200.R.0	200	224	130	150*	200	250	300*	350*	400*					≈ 4.012

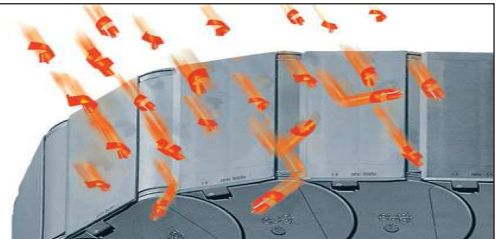
\*Radius available upon request. Please consult igus® for delivery time.

Complete Part No. with required radius (*R*). Example: R2.75.111.130.0

### Hot chips up to +850°C

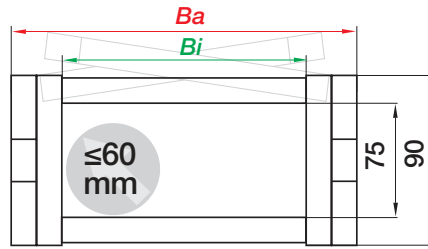
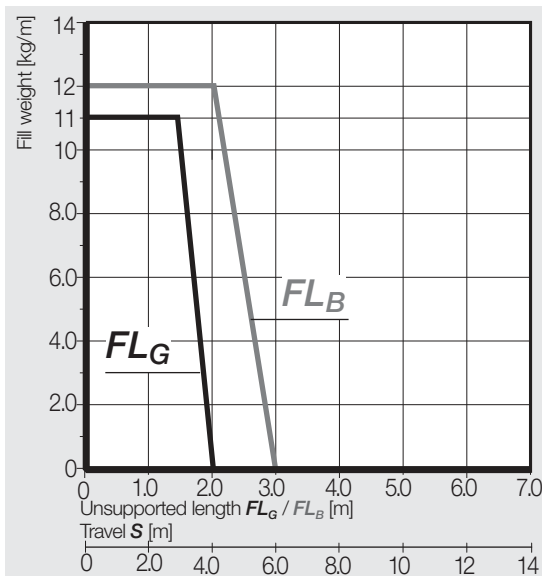
- e-tubes to withstand +850°C hot chips, as a special option
- No hot chips melting or embedding into the chain
- Option possible in igus® igumid HT material

More information ► [www.igus.eu/HT](http://www.igus.eu/HT)

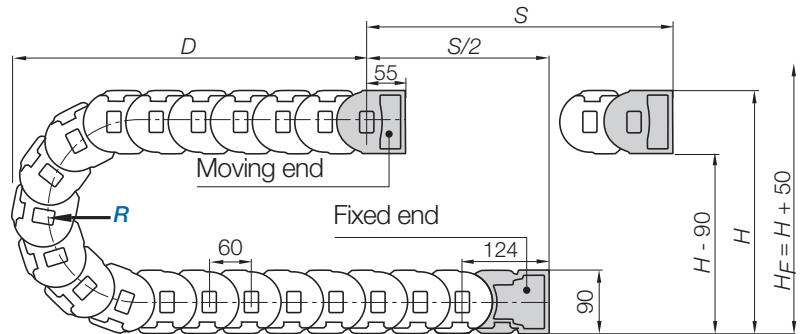




## Unsupported applications | Short travels



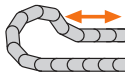
Inner height [mm]	75
Pitch [mm/link]	60
Links/m	17
corresponds to [mm]	1,020
Chain length	$L_K = \frac{S}{2} + K$



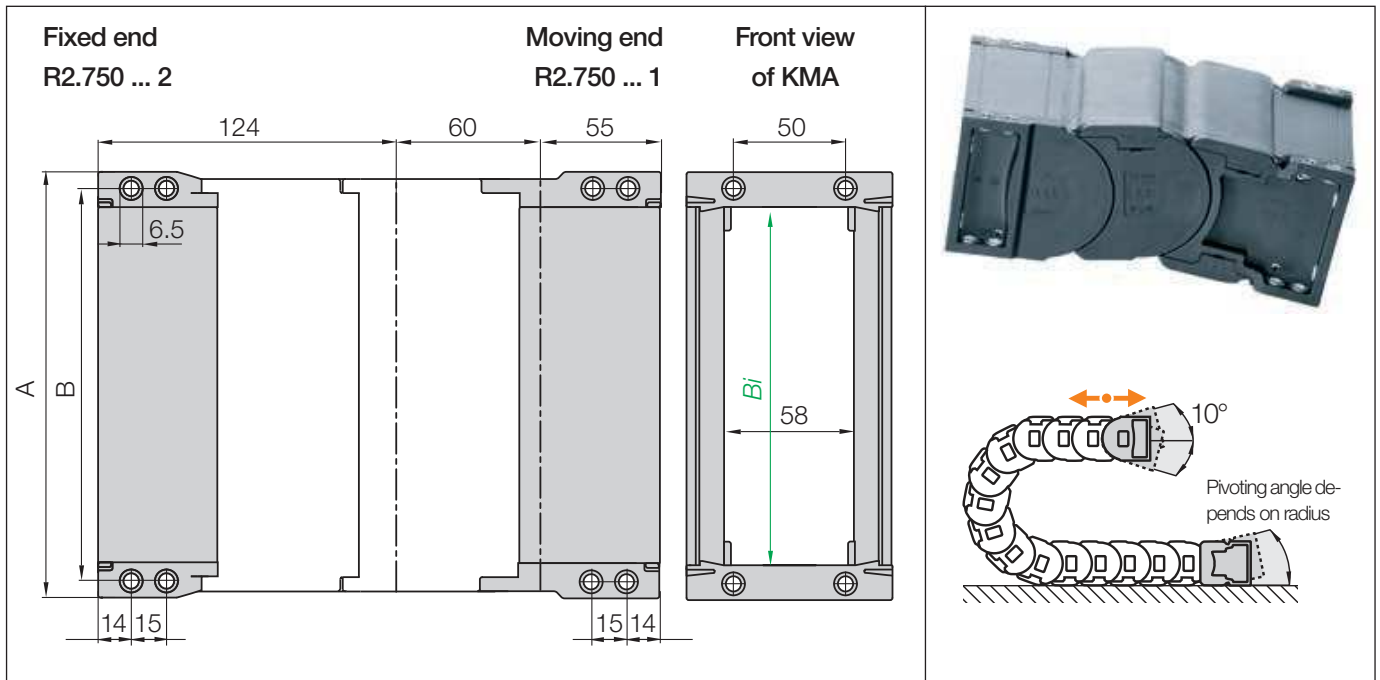
R	130	150**	200	250	300*	350*	400*
H	350	390	490	590	690	790	890
D	265	285	335	385	435	485	535
K	530	595	750	910	1,065	1,220	1,380

The required clearance height:  $H_F = H + 50$  mm (with 3.0 kg/m fill weight)


\*Radius available upon request. Please consult igus® for delivery time\*\* Not available for R2.75.200



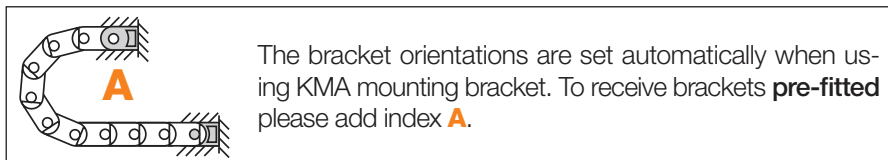
If a gliding application is required for a long travel, please consult igus®



### KMA pivoting | Recommended for unsupported applications

Width index	 Part no. full set	Part No. full set	A [mm]	B [mm]	Bi [mm]
	<b>KMA pivoting</b>	<b>KMA locking</b>			
111 ▶	R2.750.111.12	–	141	127	<b>111</b>
163 ▶	R2.750.163.12	–	193	179	<b>163</b>
200 ▶	R2.750.200.12	–	230	216	<b>200</b>

(KMA = polymer metal mounting bracket)

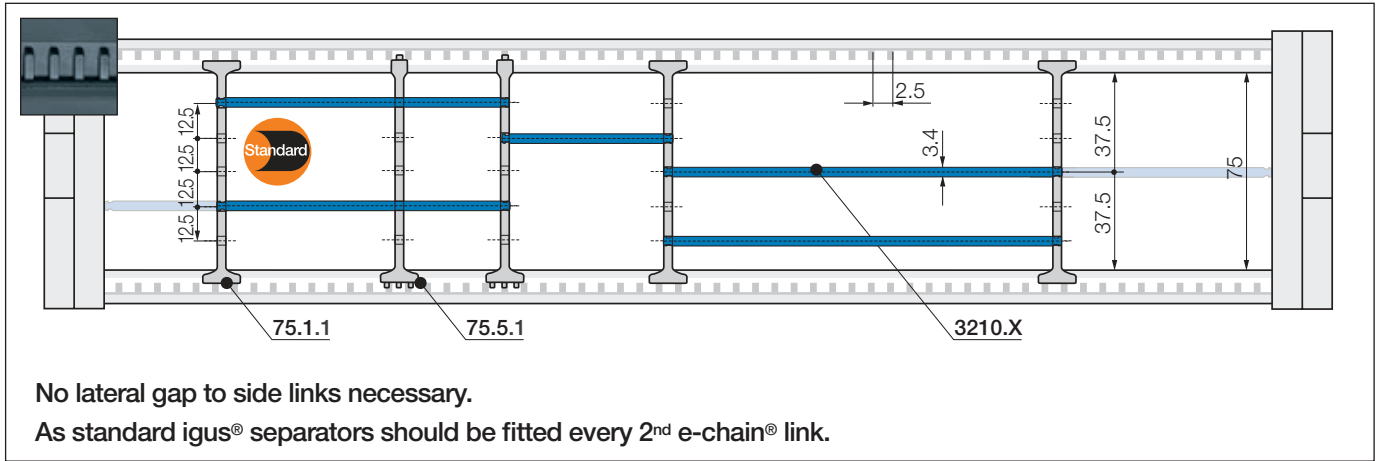



**R2.750.111.12 A** Order example

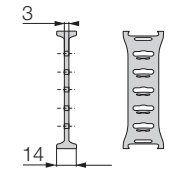
- A ...** To indicate option with brackets pre-fitted
- Full set
- Width index
- Series

 **Strain relief** e.g. clamps, tiwrap plates, nuggets and plug-in clips are available from stock. The complete chainfix range with ordering options ▶ From page 1098

## Interior separation | Increase cable service life








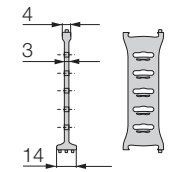
**Standard separator, wide base**

unassembled	<b>75.1</b>
assembled	<b>75.1.1</b>

### Standard - for any application

Separator with a wide base for maximum holding strength in the e-chain®.






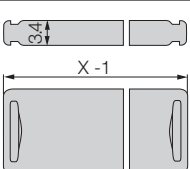
**Notch separator for notched crossbar**

unassembled	<b>75.5</b>
assembled	<b>75.5.1</b>

### Locks securely in preset increments

Notch separator for exact positioning in e-tubes. Recommended for side-mounted applications.





**Shelf, lockable**

unassembled	<b>3200.X</b>
assembled	<b>3210.X</b>

### Horizontal separation

Full-width shelf locks securely into separators at both ends, giving a fixed width. Can be used as full-width or partial shelf.

### Shelves

Width = X [mm]



X [mm]	unassembled	assembled	X [mm]	unassembled	assembled	X [mm]	unassembled	assembled
050	<b>3200.050</b>	<b>3210.050</b>	115	<b>3200.115</b>	<b>3210.115</b>	175	<b>3200.175</b>	<b>3210.175</b>
075	<b>3200.075</b>	<b>3210.075</b>	125	<b>3200.125</b>	<b>3210.125</b>	200	<b>3200.200</b>	<b>3210.200</b>
100	<b>3200.100</b>	<b>3210.100</b>	150	<b>3200.150</b>	<b>3210.150</b>			