

Quiet operation, stronger and quicker to open



e-chains® | Series E2i.38 | Crossbars openable along the inner radius, from both sides  
 e-chains® | Series E2.38 | Crossbars openable along the outer radius, from both sides

| Part No. e-chains®<br>openable along<br>inner radius | Part No. e-chains®<br>openable along<br>outer radius | Bi<br>[mm] | Ba<br>[mm] | R Available bend radii<br>[mm]                | E2.38  |        |
|--|--|------------|------------|---|--------|--------|
|  |  |            |            |   | [kg/m] | [kg/m] |
| E2i.38. 050 .R.0*                                    | E2.38. 050 .R.0                                      | 50         | 67         | 063   075   100   125   150   175   200   250 | ≈ 1.01 | ≈ 1.01 |
| E2i.38. 065 .R.0*                                    | E2.38. 065 .R.0                                      | 65         | 82         | 063   075   100   125   150   175   200   250 | ≈ 1.08 | ≈ 1.08 |
| E2i.38. 075 .R.0*                                    | E2.38. 075 .R.0                                      | 75         | 92         | 063   075   100   125   150   175   200   250 | ≈ 1.12 | ≈ 1.12 |
| E2i.38. 090 .R.0*                                    | E2.38. 090 .R.0*                                     | 90         | 107        | 063   075   100   125   150   175   200   250 | ≈ 1.19 | ≈ 1.19 |
| E2i.38. 100 .R.0*                                    | E2.38. 100 .R.0                                      | 100        | 117        | 063   075   100   125   150   175   200   250 | ≈ 1.22 | ≈ 1.22 |
| E2i.38. 125 .R.0*                                    | E2.38. 125 .R.0*                                     | 125        | 142        | 063   075   100   125   150   175   200   250 | ≈ 1.33 | ≈ 1.33 |
| E2i.38. 150 .R.0*                                    | E2.38. 150 .R.0*                                     | 150        | 167        | 063   075   100   125   150   175   200   250 | ≈ 1.44 | ≈ 1.44 |
| E2i.38. 175 .R.0*                                    | E2.38. 175 .R.0*                                     | 175        | 192        | 063   075   100   125   150   175   200   250 | ≈ 1.55 | ≈ 1.55 |

\*Width available upon request. Please consult igus® for delivery time.

Complete Part No. with required radius (R). Example: E2.38.065.100.0

### Reduce assembly time - E2.1 e-chain® opener

- igus® e-chain® opener for rapid opening in seconds, available for Series E2.38
- Reduce opening times from 33 to 2 seconds
- Open a long e-chain® section in one go

More information ► [www.igus.co.uk/E2.1opener](http://www.igus.co.uk/E2.1opener)



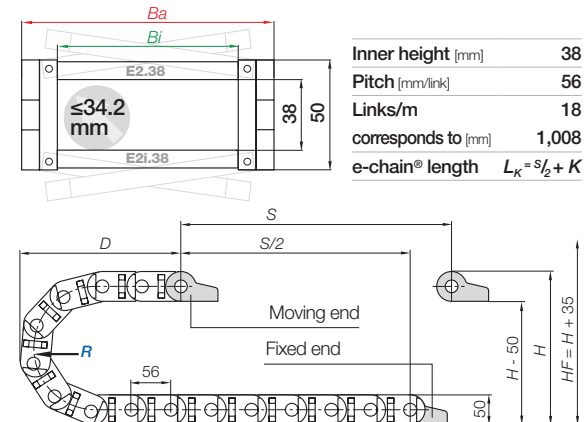
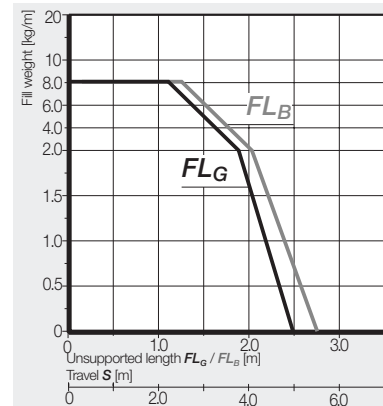
### Aluminium support tray

- Corrosion-resistant and seawater-resistant aluminium rails with adjustable width
- Noise-reducing glide strip integrated as standard
- Easy installation and connection of the e-chain®
- Open design - dirt and debris fall through

More information ► From page 1270



Unsupported applications | Short travels

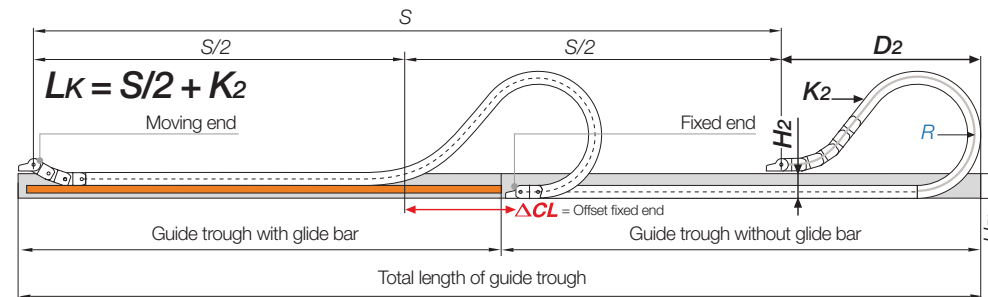


|   |     |     |     |     |     |     |     |     |
|---|-----|-----|-----|-----|-----|-----|-----|-----|
| R | 063 | 075 | 100 | 125 | 150 | 175 | 200 | 250 |
| H | 176 | 200 | 250 | 300 | 350 | 400 | 450 | 550 |
| D | 172 | 184 | 209 | 234 | 259 | 284 | 309 | 359 |
| K | 310 | 350 | 430 | 505 | 585 | 665 | 745 | 900 |

The required clearance height:  $H_f = H + 35\text{mm}$  (with 2.0kg/m fill weight)

Before using series E2i.38 on long travels please consult igus®.

### Gliding applications | For long travels from 10m to max. 120m



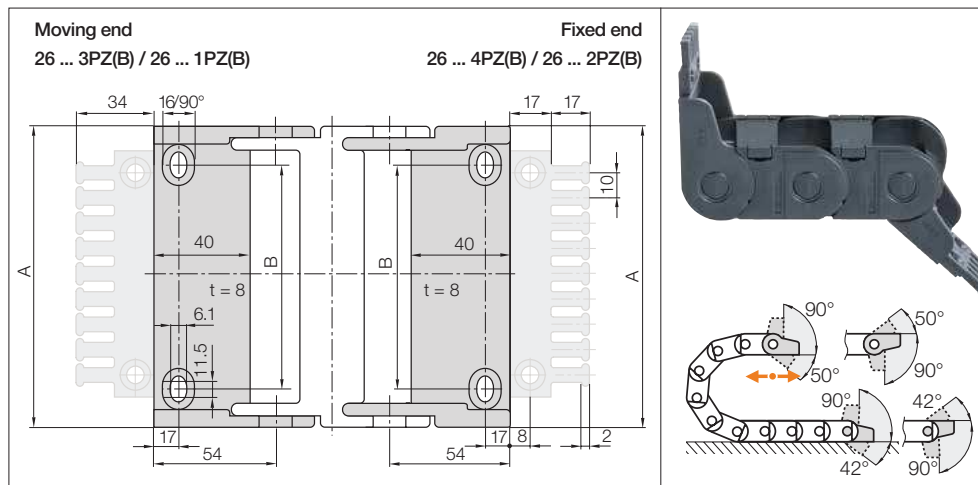
**Note:** Before using series E2i.38 on long travels please consult igus®.

For long travels, igus® recommends series E2.38 openable along the outer radius.

In case of travels between 5 and 10m we recommend an e-chain® with a longer unsupported length.

|                              |     |     |     |     |     |       |       |       |
|------------------------------|-----|-----|-----|-----|-----|-------|-------|-------|
| R                            | 063 | 075 | 100 | 125 | 150 | 175   | 200   | 250   |
| H <sub>2</sub>               | 176 | 200 | 166 | 166 | 166 | 166   | 166   | 166   |
| D <sub>2</sub> <sup>25</sup> | 172 | 184 | 395 | 510 | 545 | 700   | 805   | 995   |
| K <sub>2</sub>               | 310 | 350 | 616 | 784 | 896 | 1,120 | 1,288 | 1,624 |
| ΔCL                          | -   | -   | 144 | 244 | 244 | 374   | 464   | 594   |

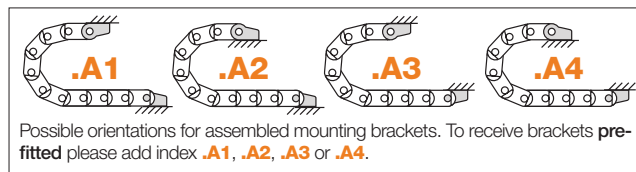
Before using series E2i.38 on long travels please consult igus®.



**Polymer pivoting** | Recommended for unsupported and gliding applications  
**Polymer locking** | Recommended for vertical hanging and standing applications

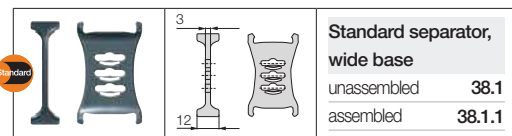
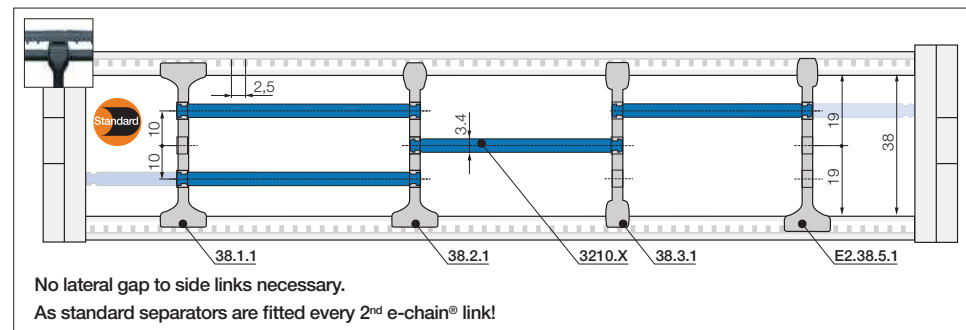
| Width index | Part No. full set pivoting |                      | Part No. full set locking |                      | A [mm] | B [mm] | Number of teeth |
|-------------|----------------------------|----------------------|---------------------------|----------------------|--------|--------|-----------------|
|             | with tiwrap plates         | without tiwrap plate | with tiwrap plates        | without tiwrap plate |        |        |                 |
| 050. ▶      | 2605.34PZB                 | 2605.34PZ            | 2605.12PZB                | 2605.12PZ            | 68     | 30     | 5               |
| 065. ▶      | 2606.34PZB                 | 2606.34PZ            | 2606.12PZB                | 2606.12PZ            | 83     | 45     | 5               |
| 075. ▶      | 2607.34PZB                 | 2607.34PZ            | 2607.12PZB                | 2607.12PZ            | 93     | 55     | 7               |
| 090. ▶      | 2609.34PZB                 | 2609.34PZ            | 2609.12PZB                | 2609.12PZ            | 108    | 70     | 9               |
| 100. ▶      | 2610.34PZB                 | 2610.34PZ            | 2610.12PZB                | 2610.12PZ            | 118    | 80     | 10              |
| 125. ▶      | 2612.34PZB                 | 2612.34PZ            | 2612.12PZB                | 2612.12PZ            | 143    | 105    | 12              |
| 150. ▶      | 2615.34PZB                 | 2615.34PZ            | 2615.12PZB                | 2615.12PZ            | 168    | 130    | 15              |
| 175. ▶      | 2617.34PZB                 | 2617.34PZ            | 2617.12PZB                | 2617.12PZ            | 193    | 155    | 17              |

Full set with tiwrap plate + 10 cable tiwraps, please add index **K1**. Example: 2606.34PZBK1

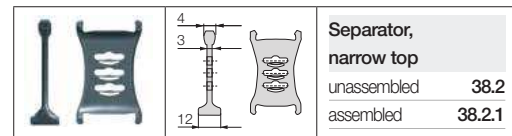


**2606.34PZB.A1** Order example  
 .A... to indicate option with brackets pre-fitted  
 With integrated strain relief tiwrap plates  
 Full set  
 Series

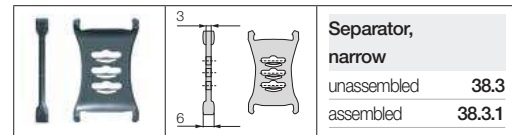
**Strain relief** e.g. clamps, tiwrap plates, nuggets and plug-in clips are available from stock. The complete chainfix range with ordering options ▶ From page 1300



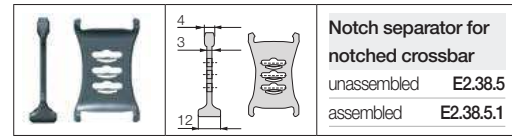
**Standard - for any application**  
 Separator with a wide base for maximum holding force in the e-chain®.



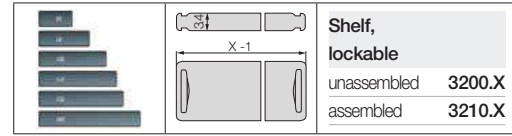
**For even faster installation**  
 Wide on one side for high holding force, narrow on opposite side for easy cable fitting.



**For small cables**  
 Separator with a narrow base for a large number of small cables side by side. Saves space in the e-chain®.

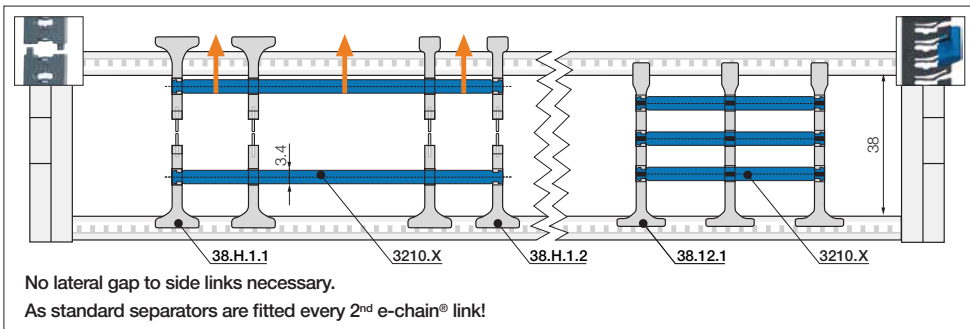


**Locks securely in preset increments**  
 Notch separator for exact positioning in e-chains®. Recommended for side-mounted applications.



**Horizontal separation**  
 Full-width shelf locks securely into separators at both ends, giving a fixed width. Can be used as full-width or partial shelf.

| Shelves<br>Width = X [mm] | X [mm]      |           | X [mm]      |           | X [mm]      |           |          |          |
|---------------------------|-------------|-----------|-------------|-----------|-------------|-----------|----------|----------|
|                           | unassembled | assembled | unassembled | assembled | unassembled | assembled |          |          |
| 050                       | 3200.050    | 3210.050  | 125         | 3200.125  | 3210.125    | 225       | 3200.225 | 3210.225 |
| 075                       | 3200.075    | 3210.075  | 150         | 3200.150  | 3210.150    | 250       | 3200.250 | 3210.250 |
| 100                       | 3200.100    | 3210.100  | 175         | 3200.175  | 3210.175    |           |          |          |
| 115                       | 3200.115    | 3210.115  | 200         | 3200.200  | 3210.200    |           |          |          |



|  |  |  |
|--|--|--|
|  |  | <p><b>Split separator, wide base/top</b></p> <p>unassembled <b>38.H.1</b></p> <p>assembled <b>38.H.1.1</b></p> |
|  |  | <p><b>Split separator, narrow top</b></p> <p>unassembled <b>38.H.2</b></p> <p>assembled <b>38.H.2.1</b></p>    |
|  |  | <p><b>Lean separator</b></p> <p>unassembled <b>38.12</b></p> <p>assembled <b>38.12.1</b></p>                   |

**Split separators**

In order to fill e-chains® more easily and effectively, these separators can be split in the middle. This allows easier access to middle shelf partitions. Fast assembly and easy retrofit. 2 types available: with wide or narrow top.

**Lean separators**

New design allows extremely fast fitting of shelves in several layers, which significantly reduces assembly time. Enables extremely fast replacement of individual cables in a very full e-chain®.

Lean separator design - several layers of cables fitted quickly, save up to 50%\* assembly time

(\*Lean separator vs. standard separator - measured on a 4m long e-chain® fitted with 12 cables in the igus® readychain® factory)

