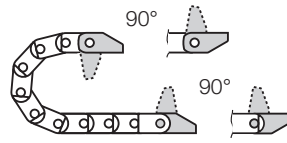




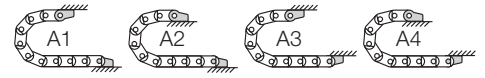
**Polymer, one-piece**

- One-piece mounting bracket
- Corrosion-resistant
- Available preassembled
- Inner and outer attachment possible
- Available with or without integrated strain relief tiwrap plates

Moving end with bore  
(outer link) 060...1(PZ)



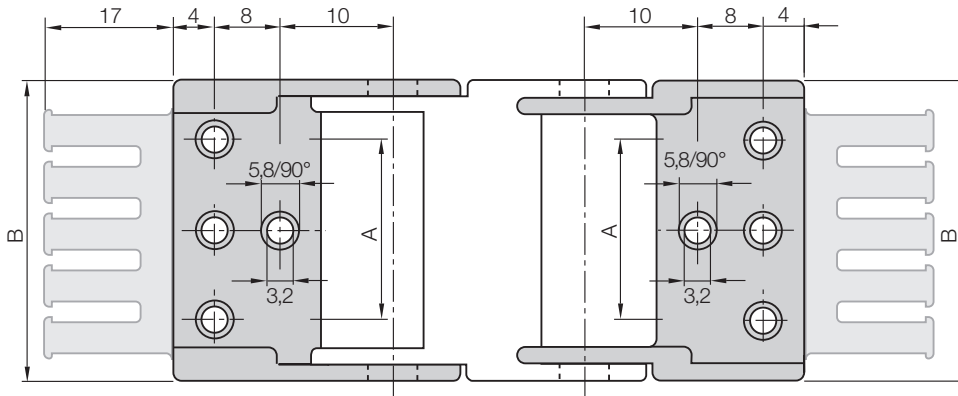
060...2(PZ) Fixed end  
with pin (inner link)



Possible installation conditions for assembled mounting brackets ▶ Order example "preassembled" below

060...1(PZ)

Moving end



060...2(PZ)

Fixed end

**Dimensions and order configurations**

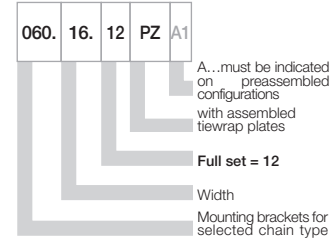
Strain relief is possible on the moving end and/or the fixed end.

060.16.12 - 060.20.12: center bores only

060.30.12 - 060.40.12: outer bores only

For E-chain®	Part No. full set with tiwrap plate	Part No. full set without tiwrap plate	Number of teeth	Dim. A [mm]	Dim. B [mm]
B07.16. ▶	060.16. 12 PZ	060.16. 12	2	-	22,5
B07.20. ▶	060.20. 12 PZ	060.20. 12	2	-	27,0
B07.30. ▶	060.30. 12 PZ	060.30. 12	3	22	37,0
B07.40. ▶	060.40. 12 PZ	060.40. 12	4	32	47,0

**Part No. structure**



Full set, for both ends:

060.16. 12 PZ +tiwrap plate

Single-part order:

060.16. 1 PZ +tiwrap plate

Mounting bracket with bore

060.16. 2 PZ +tiwrap plate

Mounting bracket with pin

For the preassembled mode please add the index A1 ... A4 Example: 060.06. 12 PZ A1



**Quicksnap** - the complete, detachable mounting unit, available upon request



**Quickfix** - mounting bracket with dowel, available upon request

**Additional Features**

