

E2 micro | Series B07

● ● ● Price index



UL94-V2 classifications
upon request



Special equipment:
Electrically conductive ESD/ATEX
version upon request

- ❶ Snap-open along outer radius with film-hinge
 - ❷ Small pitch for low-noise, smooth operation
 - ❸ For high acceleration
 - ❹ Light weight
 - ❺ Mounting bracket with integrated strain relief
 - ❻ Modular 2-piece link design - saves assembly time
 - ❼ Easy to shorten and lengthen at any given point
 - ❽ Closed, easy to open version
- ▶ Series R07 Zipper E-Tube, page 4.28



Easy to assemble and to disassemble



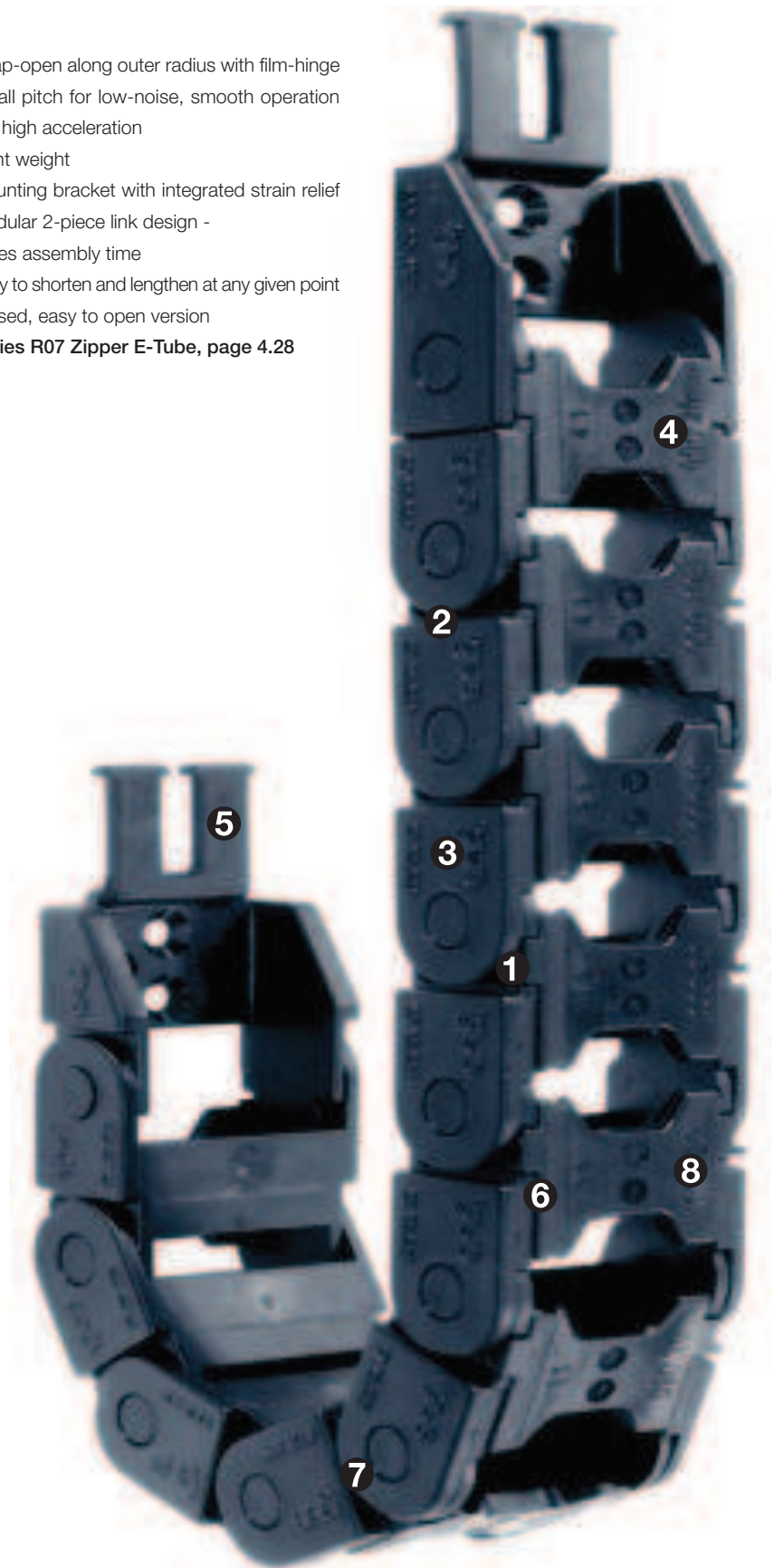
When to use the Series B07:

- If a small and lightweight E-Chain® is required
- If an openable small and reasonable E-Chain® is required
- Perfect for handling machines and pick and place robots



When not to use it:

- If opening of the link is not necessary
 - ▶ Series 06 E2 micro, page 5.26
- If cable installation without opening lids is possible
 - ▶ Series E06 Easy Chain®, page 3.20
- If a fast openable E-Tube system is required
 - ▶ Series R07, page 4.28



Order example complete E-Chain®

Please indicate chain-lengths or number of links Example: 1 m or 50 links

1 m B07.20.038.0



E-Chain®

1 set 060.20.12PZ



Mounting bracket

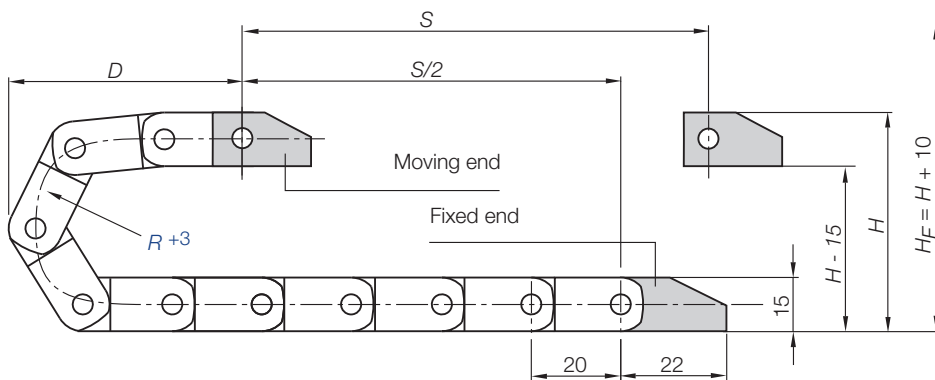
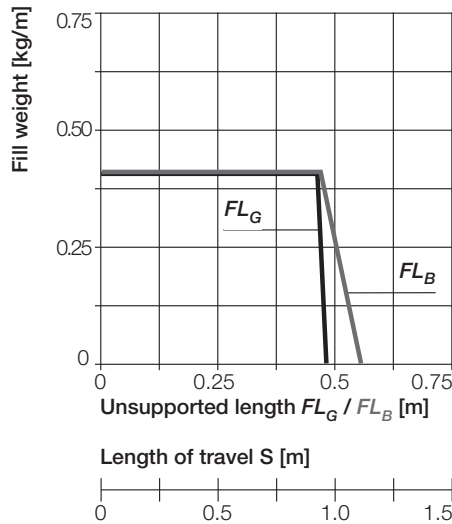
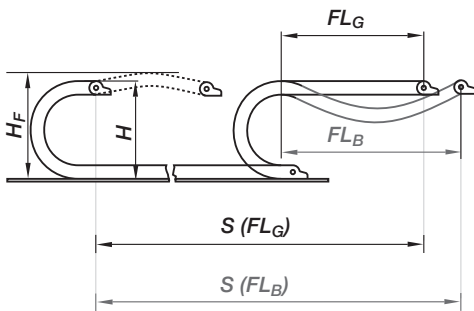


Unsupported length

FL_G = with straight upper run

FL_B = with permitted sag

Further information ► **Design, page 1.12**



- S = Length of travel
- R = Bending radius
- H = Nominal clearance height
- H_F = Required clearance height
- D = Overlength E-Chain® radius in final position
- $K = \pi \cdot R + \text{"safety"}$



Short travels - unsupported

Unsupported E-Chains® feature positive camber over short travels. This must be accounted for when specifying the clearance height H_F . Please consult igus® if space is particularly restricted.

Pitch = 20 mm/link Links/m = 50 (1.000 mm) Chain length = $S/2 + K$

R	018	028	038
H	52	72	92
D	45	55	65
K	100	140	160

The required clearance height:
 $H_F = H + 10$ mm
 (with 0,2 kg/m fill weight)



E2 micro
 Inner height: 10,3 mm

Phone +49- (0) 22 03-96 49-800
 Fax +49- (0) 22 03-96 49-222

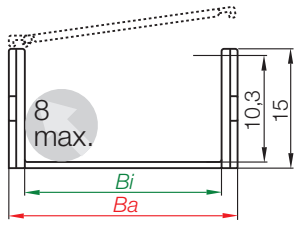


Technical Data

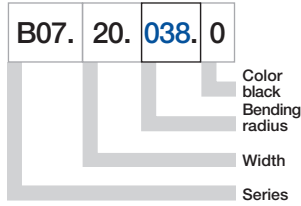
Speed / acceleration FL_G	max. 20 [m/s] / max. 200 [m/s ²]
Speed / acceleration FL_B	max. 3 [m/s] / max. 6 [m/s ²]
Gliding speed / acceleration (maximum)	max. 10 [m/s] / max. 50 [m/s ²]
Material - permitted temperature °C	igumid G / -40° to +120° C
Flammability class, igumid G	VDE 0304 IIC UL94 HB



Details of material properties
 ► page 1.38



Part No. structure



Series B07 - snap-open along inner radius

Part No.	<i>Bi</i> [mm]	<i>Ba</i> [mm]	<i>R</i> [mm]	Bending Radii			Weight [kg/m]
B07.16.□.0	16	22,5	018	028	038	≈ 0,16	
B07.20.□.0	20	27	018	028	038	≈ 0,17	
B07.30.□.0	30	37	018	028	038	≈ 0,20	
B07.40.□.0	40	47	018	028	038	≈ 0,23	

Supplement part no. with required radius (*R*) Example: B07.20.038.0

0 = standard color, other colors ► page 1.39 · Pitch = 20 mm/link - Links/m = 50

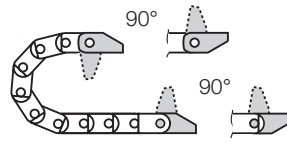




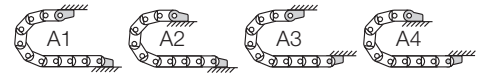
Polymer, one-piece

- One-piece mounting bracket
- Corrosion-resistant
- Available preassembled
- Inner and outer attachment possible
- Available with or without integrated strain relief tiwrap plates

Moving end with bore
(outer link) 060...1(PZ)



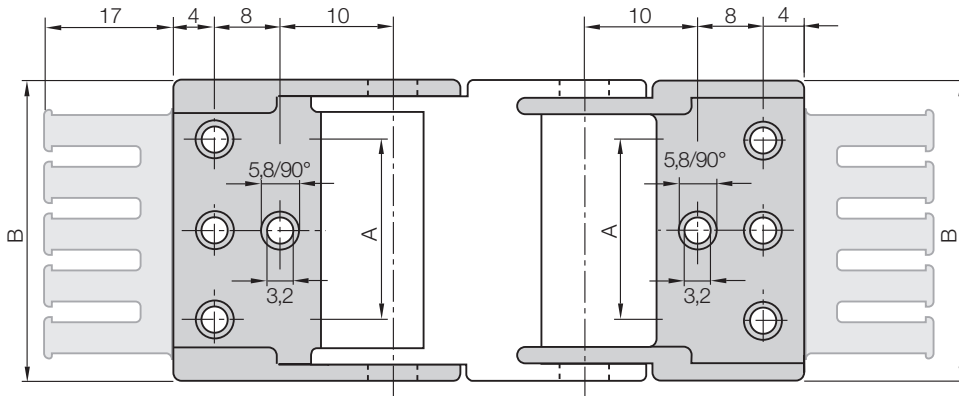
060...2(PZ) Fixed end
with pin (inner link)



Possible installation conditions for assembled mounting brackets ▶ Order example "preassembled" below

060...1(PZ)

Moving end



060...2(PZ)

Fixed end

Dimensions and order configurations

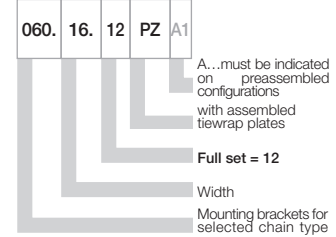
Strain relief is possible on the moving end and/or the fixed end.

060.16.12 - 060.20.12: center bores only

060.30.12 - 060.40.12: outer bores only

For E-chain®	Part No. full set with tiwrap plate	Part No. full set without tiwrap plate	Number of teeth	Dim. A [mm]	Dim. B [mm]
B07.16. ▶	060.16. 12 PZ	060.16. 12	2	-	22,5
B07.20. ▶	060.20. 12 PZ	060.20. 12	2	-	27,0
B07.30. ▶	060.30. 12 PZ	060.30. 12	3	22	37,0
B07.40. ▶	060.40. 12 PZ	060.40. 12	4	32	47,0

Part No. structure



Full set, for both ends:

060.16. 12 PZ +tiwrap plate

Single-part order:

060.16. 1 PZ +tiwrap plate

Mounting bracket with bore

060.16. 2 PZ +tiwrap plate

Mounting bracket with pin

For the preassembled mode please add the index A1 ... A4 Example: 060.06. 12 PZ A1



Quicksnap - the complete, detachable mounting unit, available upon request



Quickfix - mounting bracket with dowel, available upon request

Additional Features

