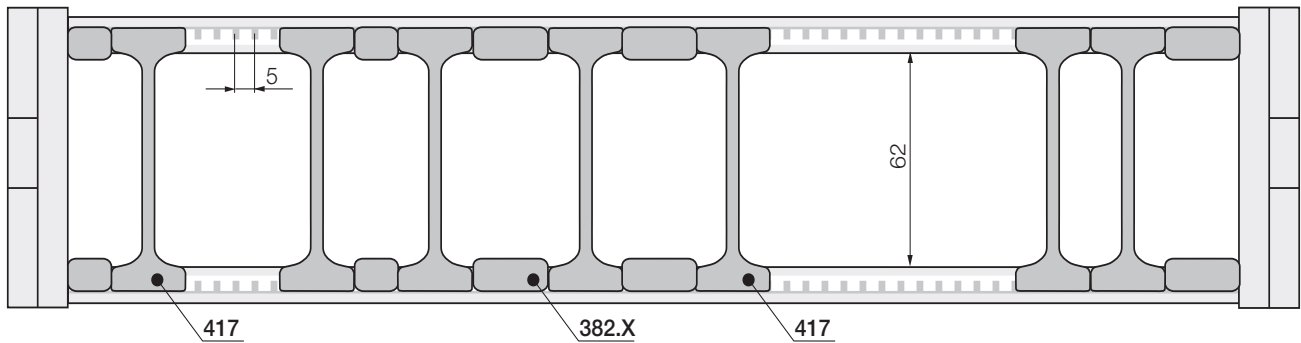

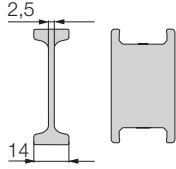

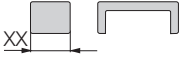


Option 1 | Separators and spacers* (*side-mounted applications)



Note: No lateral spacing to side links necessary!
In the standard configuration separators are assembled every 2nd E-Chain® link !

		Separator for E-Chains®	
		unassembled	407
		assembled	417

		Spacer* for E-Chains®	
		unassembled	381.XX
		assembled	382.XX

Separator 407

For a vertical subdividing. Offers safe stability due to its wide foot design, also when used with thick cables or hoses.

Spacer* 381.XX

Separators can be fixed in position by spacers. The available interior height is reduced by 2 mm per spacer (4 mm when spacers are fitted on both sides). To avoid this, the parts can also be installed from the outside on the opening crossbar. (not for long travel applications). **XX = width of the spacer** (please choose between 10, 15, 20 mm).

Shelves

Width X [mm]	unassembled	assembled	Width X [mm]	unassembled	assembled	Width X [mm]	unassembled	assembled
018	386.18	387.18	050	386.50	387.50	108	386.108	387.108
023	386.23	387.23	054	386.54	387.54	125	386.125	387.125
025	386.25	387.25	062	386.62	387.62	150	386.150	387.150
028	386.28	387.28	075	386.75	387.75	175	386.175	387.175
033	386.33	387.33	087	386.87	387.87	200	386.200	387.200
043	386.43	387.43	100	386.100	387.100	208	386.208	387.208

