

**Standard separator, wide foot**  
unassembled **62.1**  
assembled **62.1.1**

**Standard - for all applications**

Separator with wide foot for maximum locking strength and safe standing in E-Chains®.

**Separator, narrow foot\***  
unassembled **62.3**  
assembled **62.3.1**

**For many thin cables**

Separator with narrow foot for a large number of thin cables side by side. Saves space in E-Chains®. Also available for QuickLock crossbars.

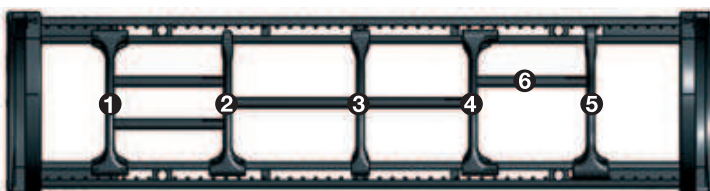
\*available upon request. Delivery time: approx. 1-2 weeks after intake of order

**Asymmetrical separator\***  
unassembled **62.4**  
assembled **62.4.1**

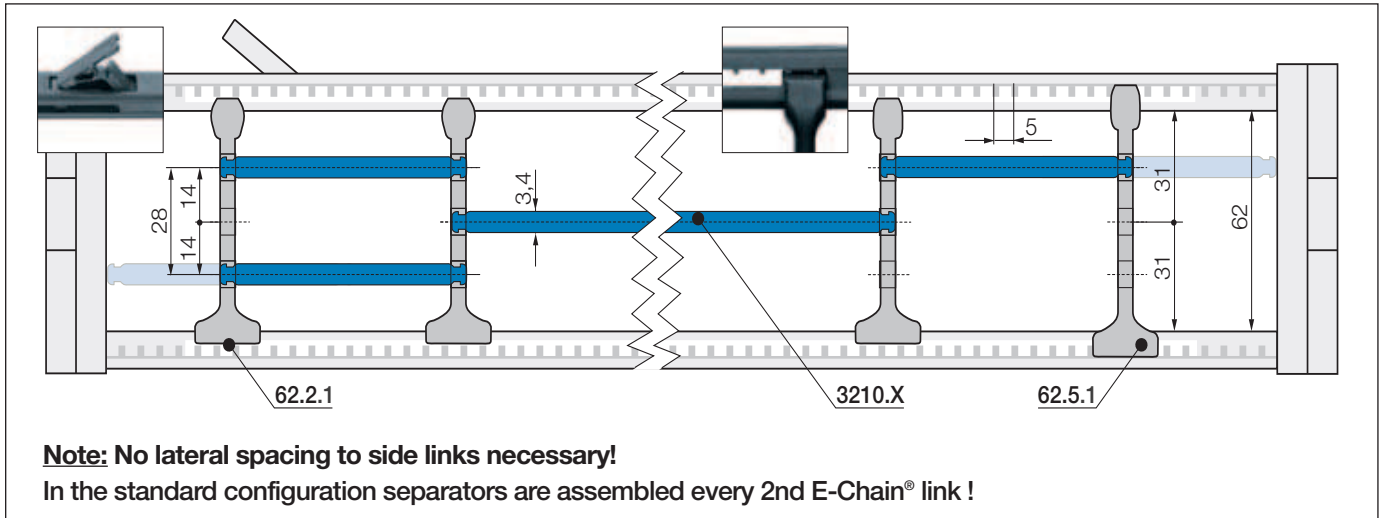
**For side-mounted applications**

Asymmetrical separator, for defined distance. No additional spacers necessary for E-Chains®.

\*available upon request. Delivery time: approx. 1-2 weeks after intake of order



- ① Standard separator, wide foot - Part No. 62.1
- ② Separator for QuickLock crossbar - Part No. 62.2
- ③ Separator, narrow foot - Part No. 62.3
- ④ Separator, asymmetrical - Part No. 62.4
- ⑤ Notch separator - Part No. 62.5
- ⑥ Full-width shelf, lockable - Part No. 3200.XX



**Separator for QuickLock crossbar\***  
unassembled **62.2**  
assembled **62.2.1**

**For even faster installation**  
Separator for igus® QuickLock crossbar 385.X.Q. Firm hold to one side with a wide foot, narrow on opposed side for easy cable assembly (slight grip).

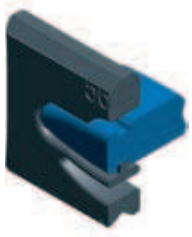
**Notch separator for notch crossbar\***  
unassembled **62.5**  
assembled **62.5.1**

**Locks safely onto in 5 mm increments**  
Notch separator for the new notch crossbar, with scaling on the notch crossbars. For exact positioning in E-Chains®. Recommended for side-mounted applications.  
\*available upon request. Delivery time: approx. 1-2 weeks after intake of order

**Full-width shelf, lockable**  
unassembled **3200.X**  
assembled **3210.X**

**Horizontal separation**  
Shelf locks safely into separators on both ends, fixed width possible. Separators can be moved freely over the shelf in horizontal direction. Usable in 3 levels.

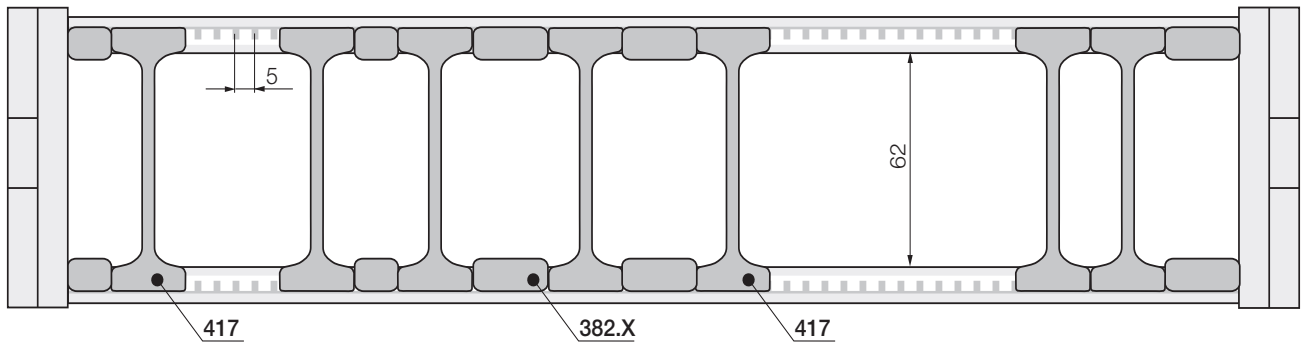
**Lockable full-width shelves - for the standard interior separation**



Width X [mm]	unassembled	assembled	Width X [mm]	unassembled	assembled	Width X [mm]	unassembled	assembled
050	3200.050	3210.050	125	3200.125	3210.125	225	3200.225	3210.225
075	3200.075	3210.075	150	3200.150	3210.150	250	3200.250	3210.250
100	3200.100	3210.100	175	3200.175	3210.175			
115	3200.115	3210.115	200	3200.200	3210.200			



**Option 1** | Separators and spacers\* (\*side-mounted applications)



**Note:** No lateral spacing to side links necessary!

In the standard configuration separators are assembled every 2nd E-Chain® link !

Standard

**Separator  
for E-Chains®**

unassembled	<b>407</b>
assembled	<b>417</b>

**Separator 407**

For a vertical subdividing. Offers safe stability due to its wide foot design, also when used with thick cables or hoses.

**Spacer\*  
for E-Chains®**

unassembled	<b>381.XX</b>
assembled	<b>382.XX</b>

**Spacer\* 381.XX**

Separators can be fixed in position by spacers. The available interior height is reduced by 2 mm per spacer (4 mm when spacers are fitted on both sides). To avoid this, the parts can also be installed from the outside on the opening crossbar. (not for long travel applications). **XX = width of the spacer** (please choose between 10, 15, 20 mm).

**Shelves**

Width X [mm]	unassembled	assembled	Width X [mm]	unassembled	assembled	Width X [mm]	unassembled	assembled
018	<b>386.18</b>	<b>387.18</b>	050	<b>386.50</b>	<b>387.50</b>	108	<b>386.108</b>	<b>387.108</b>
023	<b>386.23</b>	<b>387.23</b>	054	<b>386.54</b>	<b>387.54</b>	125	<b>386.125</b>	<b>387.125</b>
025	<b>386.25</b>	<b>387.25</b>	062	<b>386.62</b>	<b>387.62</b>	150	<b>386.150</b>	<b>387.150</b>
028	<b>386.28</b>	<b>387.28</b>	075	<b>386.75</b>	<b>387.75</b>	175	<b>386.175</b>	<b>387.175</b>
033	<b>386.33</b>	<b>387.33</b>	087	<b>386.87</b>	<b>387.87</b>	200	<b>386.200</b>	<b>387.200</b>
043	<b>386.43</b>	<b>387.43</b>	100	<b>386.100</b>	<b>387.100</b>	208	<b>386.208</b>	<b>387.208</b>

