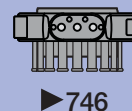


triflex® R | Series TRE | Product range

Robotic applications, easy filling



TRE



e-chains® | Series TRE | "easy" design - simply press cables in

Part No.	Bi1	Bi2	Ba	R	d1 ²⁾	d2 ²⁾	Pitch	Links/	TRE
e-chains®	[mm]	[mm]	[mm]	[mm]	[mm]	[mm]	[mm]	[m]	[kg/m]
TRE.30. 050.0	12	10	34.5	050	10	8	11.3	89	≈ 0.26
TRE.40. 058.0.B	15	13	43	058	13	11	13.9	72	≈ 0.36
TRE.50. 080.0.B	18.8	16.2	54	080	16.5	14	17.4	58	≈ 0.56
TRE.60. 087.0.B	22.5	19.5	65	087	20.5	17.5	20.4	49	≈ 0.83
TRE.70. 110.0.B	28	24	81	110	26	22	25.6	39	≈ 1.30
TRE.85. 135.0.B	33	28	94.5	135	31	26	30.6	33	≈ 1.67
TRE.100.145.0.B / C ¹⁾	37.5	32.5	108	145	35.5	30.5	34.5	29	≈ 2.35
TRE.125.182.0	43.3	43.3	135	182	41	41 ³⁾	44.6	23	≈ 4.40

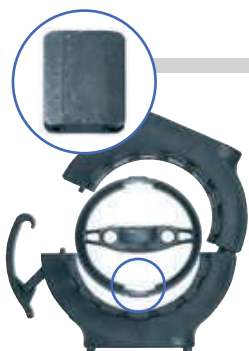
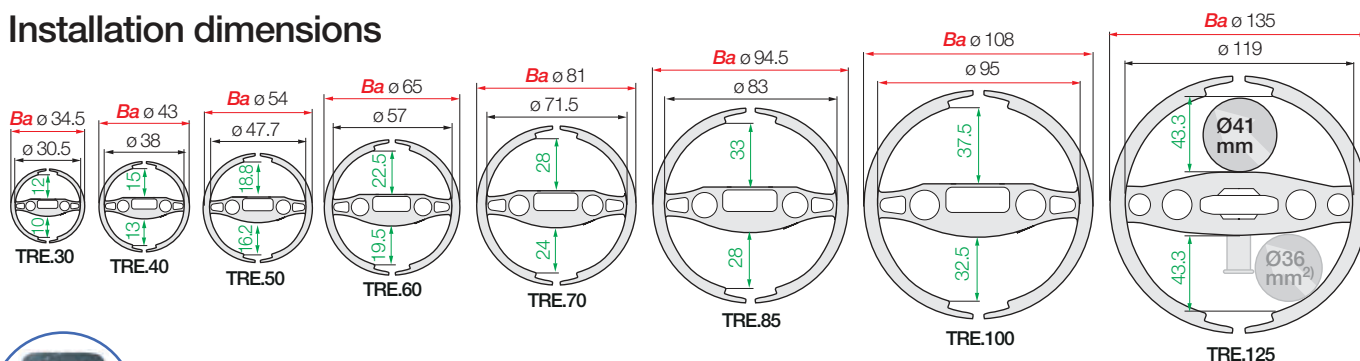
B-Series = 4-x higher torsion forces C-Series = quick assembly, 50% higher forces

1) Available as C-Version Part No. TRE.100.145.0.C

2) For quick and easy fitting or removal of cables using the "easy" design, we recommend a maximum cable diameter of 70% of the specified value

3) TRE 125: max. cable diameter Ø 41 mm. Max. cable diameter changes to Ø 36 mm when an already populated e-chain needs to be shortened or lengthened TRE.LOCK

Installation dimensions



TRE.LOCK clips

Clips for a secure fit in the mounting bracket. Supplied automatically with every mounting bracket. Please use the Part No. on the right for reordering

TRE.LOCK Clips

Part No. of individual part

TRE.30/40.LOCK

TRE.30/40.LOCK

TRE.50.LOCK

TRE.60.LOCK

TRE.LOCK Clips

Part No. of individual part

TRE.70.LOCK

TRE.85.LOCK

TRE.100.LOCK

TRE.125.LOCK