

iglidur® PRT - polymer slewing rings

Completely maintenance-free

Easy to install replaceable sliding pads

High wear resistance

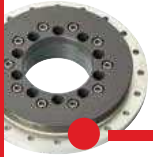
For high loads and high stiffness

Stainless steel versions available

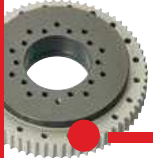
Extensive accessories

Standard range from stock

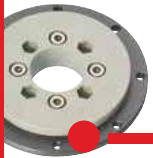




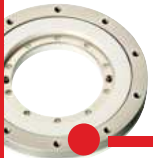
Type 01:
High torsional rigidity



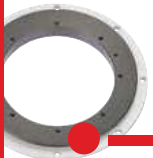
Type 01 with gear teeth:
With outer drive ring



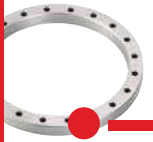
Type 02:
Lightweight



Type 03:
Cost-effective



Type 04:
Compact, lightweight
and cost-effective



Extensive accessories:
Special geometries and
accessories



Universal sliding elements:
Customise your own
slewing ring systems

Polymer slewing ring bearings


iglidur® PRT slewing rings are ready-to-install rotary joints for lubrication-free dry operation. The design is not based on metallic rollers or balls, but on maintenance-free sliding elements made of the proven tribologically optimised iglidur® materials in combination with rings made of lightweight anodised aluminium or stainless steel. These iglidur® materials are universally applicable. They can be used in applications with high temperatures, moisture or chemical contact, for example.


- Completely maintenance-free
- Easy to install replaceable sliding pads
- High wear resistance
- For high loads and high stiffness
- Stainless steel versions available
- Extensive accessories


Typical application areas


- Conveyors and automation
- Stage and lighting technology
- Assembly stations

 **Available from stock**
Stainless steel version upon request
Detailed information about delivery time online.

 **Price breaks online**
No minimum order value. No minimum order quantity

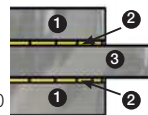
 **Max. +180°C**
min. -50°C

 **4 types**
Ø 20 - 300mm

 **Service life calculation**
▶ www.igus.eu/prt-expert

Design slewing ring

- Type 01 and 04:** Hard anodised aluminium, or 316 stainless steel
- Type 01 and 04:** iglidur® J or H1
- Type 01, 02 and 04:** Anodised aluminium or 316 stainless steel



Rotating digital flip chart

The compact design of the PRT-02-30 makes it the ideal solution for the rotating digital flip chart. Thanks to ready-to-install delivery and easy assembly. In addition, due to the plastic sliding elements made of iglidur® material, maintenance work is no longer necessary after installation.

Personal robot

The PRT slewing ring bearing makes the robot's rear axis lubrication-free and maintenance-free. In addition, the service life of the PRT for use in robots was calculated in advance and far exceeds the design requirements.



Assembly table with slewing ring bearing

The PRT-01-30-TO-AT10 has proven to be the optimum solution due to its ready-to-install delivery with the AT10 belt profile. Precise and automatic rotation of the assembly table is made possible. Due to the plastic sliding elements made of iglidur® material, no maintenance work is required after installation.

Slewing ring general properties

Type 01

Properties	Unit	-20	-30	-50	-60	-100	-150	-200	-300
Weight	[kg]	0.2	0.4	1.0	1.1	1.3	2.2	3.2	7.6
Axial load, static	[N]	15,000	27,000	40,000	50,000	55,000	80,000	100,000	150,000
Axial load, dynamic	[N]	4,000	7,000	10,000	15,000	16,000	25,000	30,000	90,000
Radial load, static	[N]	2,300	5,000	8,000	10,000	16,000	25,000	35,000	45,000
Radial load, dynamic	[N]	600	1,500	2,500	3,000	5,000	8,000	10,000	27,000
Rotating speed, dry operation	[1/min]	300	250	200	200	150	100	80	50
Max. permissible tilting moment	[Nm]	100	200	600	800	1,500	2,000	3,800	5,000

Type 02

Properties	Unit	-20-AL	-20-ES	-20-LC	-20-P	-30-AL	-30-ES	-30-LC	-30-P
Weight	[g]	105	202	87	72	200	363	167	145
Axial load, static	[N]	13,000	13,000	13,000	13,000	25,000	25,000	25,000	25,000
Axial load, dynamic	[N]	4,000	4,000	4,000	4,000	7,000	7,000	7,000	7,000
Radial load, static	[N]	2,000	2,000	2,000	2,000	2,500	2,500	2,500	2,500
Radial load, dynamic	[N]	500	500	500	500	700	700	700	700
Rotating speed, dry operation	[1/min]	250	250	250	250	200	200	180	180
Max. permissible tilting moment	[Nm]	60	60	40	40	100	100	50	50

Properties	Unit	-50-AL	-50-ES	-50-LC	-50-P	-60-AL	-60-ES
Weight	[g]	440	747	380	338	700	1,322
Axial load, static	[N]	35,000	35,000	35,000	35,000	45,000	45,000
Axial load, dynamic	[N]	9,000	9,000	9,000	9,000	12,000	12,000
Radial load, static	[N]	5,000	5,000	5,000	5,000	10,000	10,000
Radial load, dynamic	[N]	1,200	1,200	1,200	1,200	2,800	2,800
Rotating speed, dry operation	[1/min]	120	120	120	120	120	120
Max. permissible tilting moment	[Nm]	120	120	100	100	200	200

Type 03

Properties	Unit	-80
Weight	[kg]	0.47
Axial load, static (compressive force direction)	[N]	45,000
Axial load, static (tensile force direction) ¹⁵⁴⁾	[N]	5,000
Axial load, dynamic (compressive force direction)	[N]	12,000
Axial load, dynamic (tensile force direction) ¹⁵⁴⁾	[N]	1,200
Radial load, static	[N]	4,000
Radial load, dynamic	[N]	1,000
Rotating speed, dry operation	[1/min]	120
Max. permissible tilting moment ¹⁵⁴⁾	[Nm]	120

Axial clearance 0.7mm, radial clearance 0.9mm

¹⁵⁴⁾ Only when the PRT is fitted onto a flat, stable surface

Type 04

Properties	Unit	-20	-30	-50	-60	-100	-150	-200	-300
Weight	[g]	n.s.	n.s.	225	250	370	530	680	990
Axial load, static	[N]	5,000	8,000	12,000	14,000	20,000	27,000	35,000	48,000
Axial load, dynamic	[N]	1,500	2,000	3,000	4,000	5,000	7,500	9,000	12,000
Radial load, static	[N]	1,000	1,500	2,500	3,000	5,500	6,500	8,000	10,000
Radial load, dynamic	[N]	300	400	750	900	1,500	1,900	2,500	3,500
Rotating speed, dry operation	[1/min]	300	250	200	190	135	100	80	50
Max. permissible tilting moment	[Nm]	30	60	200	250	450	650	875	1,200

Assembly data type 01 - 04

Properties	Unit	Surface in the bolting area
Flatness	[mm]	0.05
Hardness	HBW ¹⁸⁵⁾	Min. 50

¹⁸⁵⁾ Valid at max. load

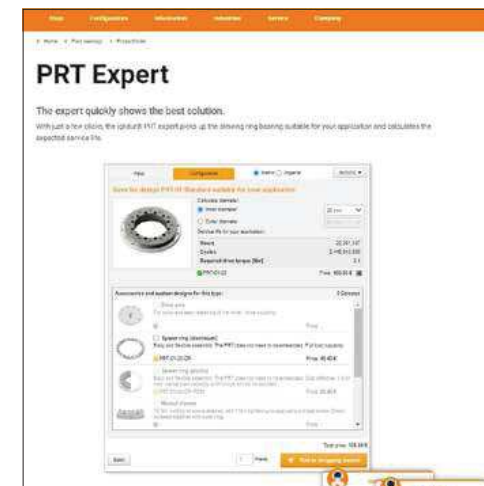
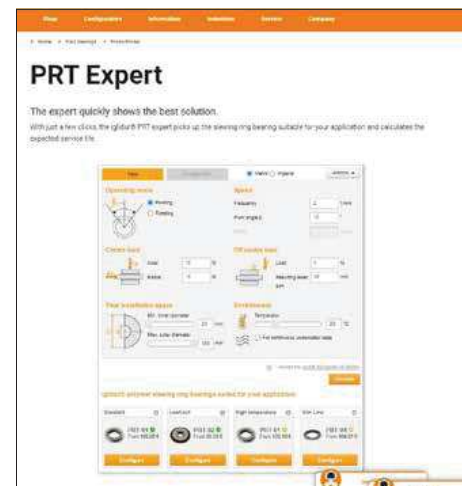


Configurator for slewing rings

The most common criteria for selecting an iglidur® PRT slewing ring bearing are firstly the loads and torques to be supported and secondly the installation space available and the minimum central implementation distance required.

The suitable sizes and types are selected on the basis of this data and the speed and their service life is calculated.

► www.igus.eu/prt-expert



Type 01

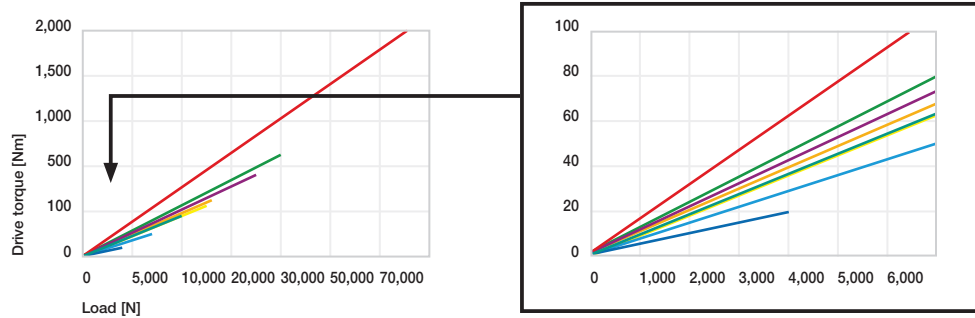


Diagram 01: Required drive torque versus applied load

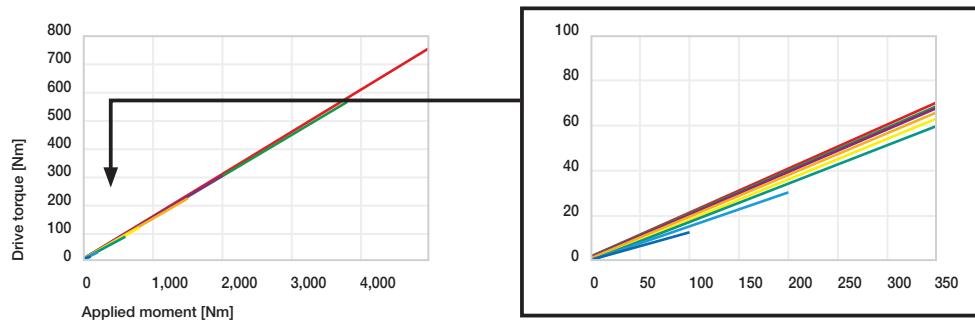


Diagram 02: Required drive torque versus applied moment

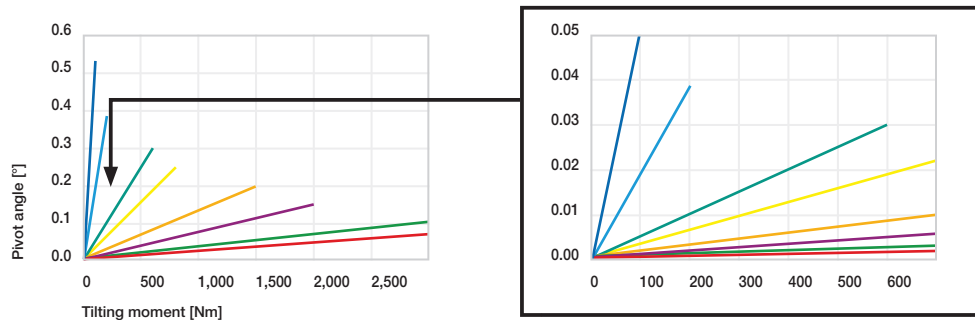


Diagram 03: Deflection versus applied tilting moment

— PRT-01-20 — PRT-01-30 — PRT-01-50 — PRT-01-60
 — PRT-01-100 — PRT-01-150 — PRT-01-200 — PRT-01-300

Type 04

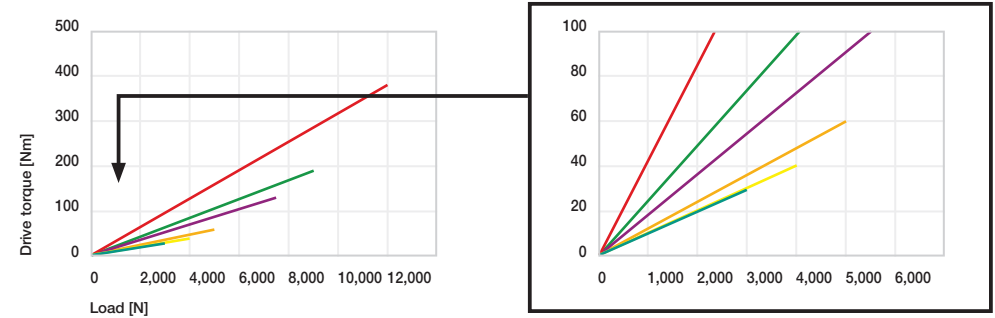


Diagram 01: Required drive torque versus applied load

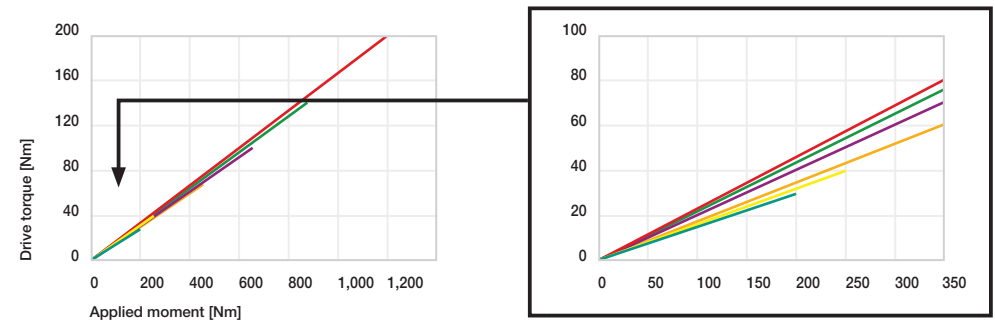


Diagram 02: Required drive torque versus applied moment

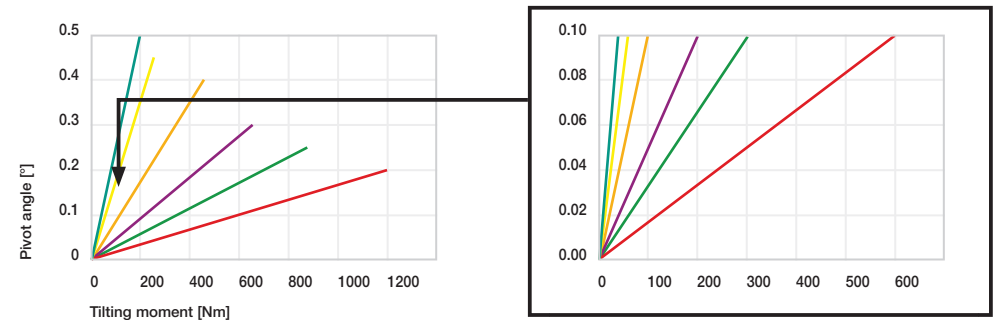
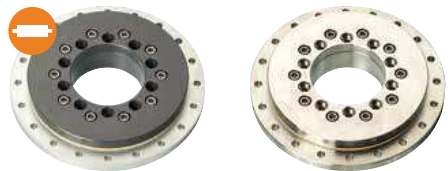


Diagram 03: Deflection versus applied tilting moment

— PRT-04-50 — PRT-04-60 — PRT-04-100
 — PRT-04-150 — PRT-04-200 — PRT-04-300

i All load values assume the PRT is assembled with cap head screws (strength class 8.8) on the outside pitch circle diameter of the collar clamp. For the assembly (using strength class 8.8 screws) of the PRT, the screws have to be inserted to a minimum thread depth of 2xd in every hole location in the outer ring. All data can be used for both lateral and horizontal assembly (including overhead installation).



Standard

Stainless steel version

- Aluminium or stainless steel body (upon request)
- Replaceable maintenance-free sliding elements made of iglidur® J (Standard) ▶ Page 163, iglidur® H1 (for temperatures up to +180°C) ▶ Page 345, iglidur® F2 (ESD-compliant) ▶ Page 553 or iglidur® A180 (FDA-compliant) ▶ Page 425

Order key

Type Size Options

PRT-01- 30 -ES-H1

Slewing ring
Type
Inner Ø [mm]
Housing material
Sliding elements

Options:

Housing material

Blank: Aluminium

ES: 316 stainless steel

Sliding elements

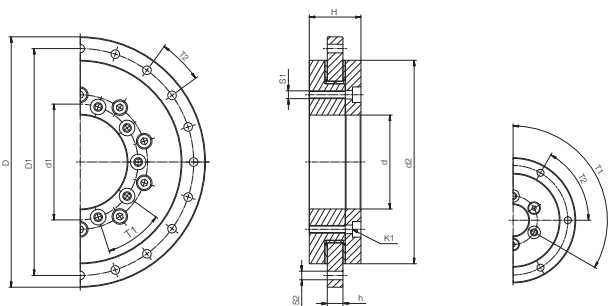
Blank: iglidur® J

H1: iglidur® H1, high temperature

F2: iglidur® F2, ESD-compliant (only in conjunction with stainless steel)

A180: iglidur® A180, FDA-compliant

Accessories
▶ From page 718



Dimensions [mm]

D ¹⁰⁾	D1	d1	d	d2	H	h	T1	T2	S1	S2	K1 for screw		R1	R2	B	Part No.
80	70	31	20	60	24	8	6 x 60°	6 x 60°	M4	4.5	DIN 7984 M4		30	20	3.5	PRT-01-20-□
100	91	42.5	30	82	29	10	8 x 45°	8 x 45°	M4	4.5	DIN 7984 M4		41	29	4.5	PRT-01-30-□
150	135	65	50	120	33	10	8 x 45°	16 x 22,5°	M6	6.6	ISO 4762 M6		60	46.5	4.5	PRT-01-50-□
160	145	74	60	130	33	10	10 x 36°	20 x 18°	M5	5.5	ISO 4762 M5		65	51.5	4.5	PRT-01-60-□
185	170	112	100	160	34	12	12 x 30°	16 x 22,5°	M5	5.5	ISO 4762 M5		80	69	5.5	PRT-01-100-□
250	235	165	150	220	35	12	12 x 30°	16 x 22,5°	M5	5.5	ISO 4762 M5		110	96.5	5.5	PRT-01-150-□
300	285	215	200	274	38	15	12 x 30°	16 x 22,5°	M6	6.6	ISO 4762 M6		137	124	7.0	PRT-01-200-□
450	430	320	300	410	42	15	12 x 30°	16 x 22,5°	M8	9.0	DIN 7984 M8		205	186.6	7.0	PRT-01-300-□

¹⁰⁾ Tolerance according to DIN ISO 2768 mK

All stainless steel versions upon request



Standard

Stainless steel version

- Available with diameters from 20mm to 300mm
- 60% lighter and 50% more compact compared to PRT-01
- 20% more cost-effective compared to PRT-01
- Wear-resistant, lubrication-free and maintenance-free iglidur® sliding elements

Order key

Type Size Options

PRT-04- 50 -ES-H1

Slewing ring
Type
Inner Ø [mm]
Housing material
Sliding elements

Options:

Housing material

Blank: Aluminium

ES: 316 stainless steel

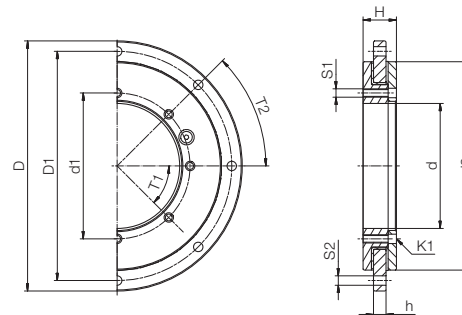
Sliding elements

Blank: iglidur® J

H1: iglidur® H1, high temperature

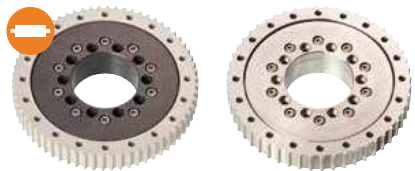
F2: iglidur® F2, ESD-compliant (only in conjunction with stainless steel)

A180: iglidur® A180, FDA-compliant



Dimensions [mm]

D	D1	d1	d	d2	H	h	T1	T2	S1	S2	K1 for screw		Part No.
80	70	30	20	60	16	6	8 x 45°	8 x 45°	M4	Ø 4.5	Ø 4.5		PRT-04-20-□ New
90	80	40	30	70	16	6	8 x 45°	8 x 45°	M4	Ø 4.5	Ø 4.5		PRT-04-30-□ New
110	100	60	50	90	16	6	8 x 45°	8 x 45°	M4	Ø 4.5	Ø 4.5		PRT-04-50-□
120	110	70	60	100	16	6	8 x 45°	8 x 45°	M4	Ø 4.5	Ø 4.5		PRT-04-60-□
160	150	110	100	140	16	6	8 x 45°	8 x 45°	M4	Ø 4.5	Ø 4.5		PRT-04-100-□
210	200	160	150	190	16	6	16 x 22,5°	16 x 22,5°	M4	Ø 4.5	Ø 4.5		PRT-04-150-□
260	250	210	200	240	16	6	16 x 22,5°	16 x 22,5°	M4	Ø 4.5	Ø 4.5		PRT-04-200-□
360	350	310	300	340	16	6	16 x 22,5°	16 x 22,5°	M4	Ø 4.5	Ø 4.5		PRT-04-300-□



Standard Stainless steel version

- 4 standards for outer rings are available
 - A classic spur gearing according to DIN3967
 - Commercially available belt profiles: T10, AT10, HTD8M
- The inner ring is fixed and the outer ring is driven
- The specially widened outer ring supports product transport
- Outer ring available in stainless steel as an option (suffix "-ES")

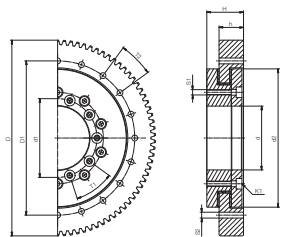


Order key

Type	Size	Options
------	------	---------

PRT-01- 30 -TO-...- ES

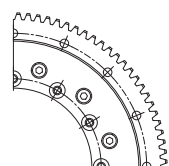
Slewing ring	Type	Inner Ø [mm]	Outer drive ring	Tooth profile type	Stainless steel version
--------------	------	--------------	------------------	--------------------	-------------------------



Dimensions [mm]

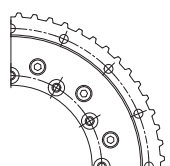
D1	d1	d	d2	h	T1	T2	S1	S2	K1	R1	R2	B	H	Part No.
for screw														
70	31.0	20	60	18	6x60°	6x60°	M4	4.5	DIN 7984 M4	M4	30	20.0	3.5 (26.0)	PRT-01-20-TO-...
91	42.5	30	82	21	8x45°	8x45°	M4	4.5	DIN 7984 M4	M4	41	29.0	4.5 (30.5)	PRT-01-30-TO-...
135	65.0	50	120	10	8x45°	16x22.5°	M6	6.6	ISO 4762 M6	M6	60	46.5	4.5 (33.0)	PRT-01-50-TO-...
145	74.0	60	130	23	10x36°	20x18°	M5	5.5	ISO 4762 M5	M5	65	51.5	4.5 (34.5)	PRT-01-60-TO-...
170	112.0	100	160	25	12x30°	16x22.5°	M5	5.5	ISO 4762 M5	M5	80	69.0	5.5 (36.0)	PRT-01-100-TO-...
235	165.0	150	220	25	12x30°	16x22.5°	M5	5.5	ISO 4762 M5	M5	110	96.5	5.5 (36.5)	PRT-01-150-TO-...
285	215.0	200	274	30	12x30°	16x22.5°	M6	7.0	ISO 4762 M6	M6	137	124.0	7.0 (41.5)	PRT-01-200-TO-...
430	320.0	300	410	30	12x30°	16x22.5°	M8	9.0	DIN 7984 M8	M8	205	186.5	8.5 (43.5)	PRT-01-300-TO-...

Spur gearing ST



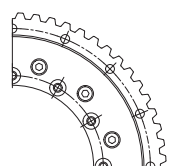
D	m	z	Part No. add-on
(88)	-	42	...-ST
(112)	2	54	...-ST
(160)	2	78	...-ST
(184)	2	90	...-ST
(196)	2	96	...-ST
(256)	2	126	...-ST
(308)	2	152	...-ST
(462)	3	152	...-ST

Toothed belt profile AT10



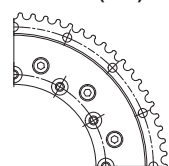
D	z	Part No. add-on
(87.25)	28	...-AT10
(106.4)	34	...-AT10
(157.3)	50	...-AT10
(163.8)	52	...-AT10
(189.2)	60	...-AT10
(252.9)	80	...-AT10
(303.9)	96	...-AT10
(456.7)	144	...-AT10

Toothed belt profile T10



D	z	Part No. add-on
(87.25)	28	...-T10
(106.4)	34	...-T10
(157.3)	50	...-T10
(163.8)	52	...-T10
(189.2)	60	...-T10
(252.9)	80	...-T10
(303.9)	96	...-T10
(456.7)	144	...-T10

Toothed belt profile HTD5M (-20)/HTD8M



D	z	Part No. add-on
(81.25)	52	...-HTD5M
(110.7)	44	...-HTD8M
(161.6)	64	...-HTD8M
(166.7)	66	...-HTD8M
(187.1)	74	...-HTD8M
(253.3)	100	...-HTD8M
(304.3)	120	...-HTD8M
(457.1)	180	...-HTD8M



AT10 T10



HTD5M ST

- Easy replacement and extension: modular construction kit design
- Driving the easy way with gear profiles
- Adjustable with manual clamps

Dimensions [mm]

D1	d1	d	d2	H	h1	h	T1	T2	S1	S2	K1	Part No.
for screw												
With gear profile												
100	60	50	90	17	1	12	8 × 45°	8 × 45°	M4	Ø 4.5	Ø 4.5	PRT-04-50-TO-...
110	70	60	100	17	1	12	8 × 45°	8 × 45°	M4	Ø 4.5	Ø 4.5	PRT-04-60-TO-...
150	110	100	140	17	1	12	8 × 45°	8 × 45°	M4	Ø 4.5	Ø 4.5	PRT-04-100-TO-...
200	160	150	190	17	1	12	16 × 22.5°	16 × 22.5°	M4	Ø 4.5	Ø 4.5	PRT-04-150-TO-...
250	210	200	240	17	1	12	16 × 22.5°	16 × 22.5°	M4	Ø 4.5	Ø 4.5	PRT-04-200-TO-...
350	310	300	340	17	1	12	16 × 22.5°	16 × 22.5°	M4	Ø 4.5	Ø 4.5	PRT-04-300-TO-...

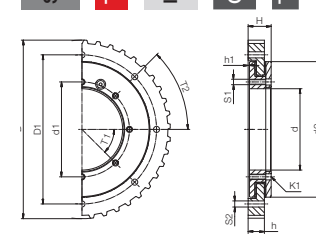


Order key

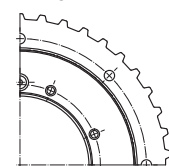
Type	Size	Options
------	------	---------

PRT-04- 50 -TO-...

Slewing ring	Type	Inner Ø [mm]	Outer drive ring	Tooth profile type
--------------	------	--------------	------------------	--------------------

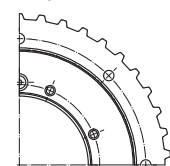


Toothed belt profile AT10



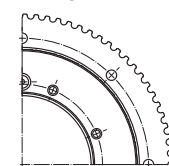
D	z	Part No. add-on
118.9	38	...-AT10
131.7	42	...-AT10
169.9	54	...-AT10
220.8	70	...-AT10
271.7	86	...-AT10
370.4	117	...-AT10

Toothed belt profile T10



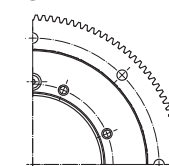
D	z	Part No. add-on
118.9	38	...-T10
131.7	42	...-T10
169.9	54	...-T10
220.8	70	...-T10
271.7	86	...-T10
370.4	117	...-T10

Toothed belt profile HTD5M



D	z	Part No. add-on
120	38	...-HTD5M
131	42	...-HTD5M
170.9	54	...-HTD5M
221.8	70	...-HTD5M
271.2	86	...-HTD5M
371.4	117	...-HTD5M

Spur gearing ST



D	z	Module	Part No. add-on
120	118	1	...-ST
130	128	1	...-ST
170	168	1	...-ST
220	218	1	...-ST
270	268	1	...-ST
370	368	1	...-ST



TI-ST

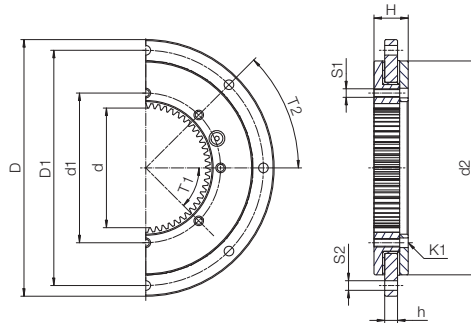


Order key

Type Size Options

PRT-04- 50 - TI -ST

Slewing ring	Type	Inner Ø [mm]	Inner gear teeth	Tooth profile type
--------------	------	--------------	------------------	--------------------

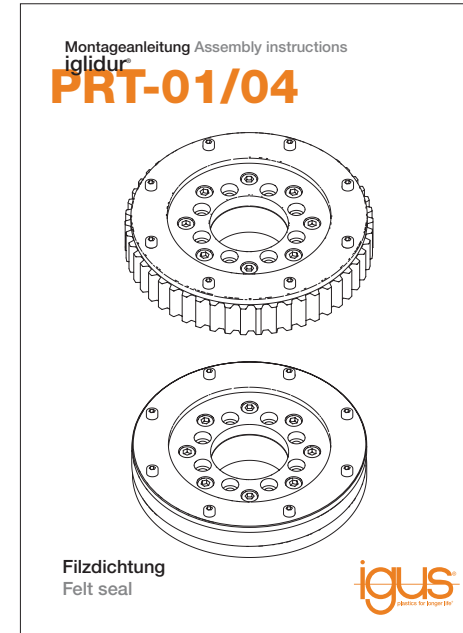


- Easy replacement and extension: modular construction kit design
- Inner drive teeth

Dimensions [mm]

D	D1	d1	d	d2	H	h	z	Part No.
110	100	60	46	90	16	6	48	PRT-04-50-TI-ST New
120	110	70	56	100	16	6	58	PRT-04-60-TI-ST New
160	150	110	96	140	16	6	98	PRT-04-100-TI-ST New
210	200	160	146	190	16	6	148	PRT-04-150-TI-ST New
260	250	210	196	240	16	6	198	PRT-04-200-TI-ST New
360	350	310	296	340	16	6	298	PRT-04-300-TI-ST New

T1	T2	S1	S2	K1 for screw	Module	Part No.
8 × 45°	8 × 45°	M4	Ø 4.5	Ø 4.5	1	PRT-04-50-TI-ST New
8 × 45°	8 × 45°	M4	Ø 4.5	Ø 4.5	1	PRT-04-60-TI-ST New
8 × 45°	8 × 45°	M4	Ø 4.5	Ø 4.5	1	PRT-04-100-TI-ST New
16 × 22.5°	16 × 22.5°	M4	Ø 4.5	Ø 4.5	1	PRT-04-150-TI-ST New
16 × 22.5°	16 × 22.5°	M4	Ø 4.5	Ø 4.5	1	PRT-04-200-TI-ST New
16 × 22.5°	16 × 22.5°	M4	Ø 4.5	Ø 4.5	1	PRT-04-300-TI-ST New



The felt cover was developed for applications in particularly harsh environments where heavy loads, dirt and dust occur. The felt cover extends the PRT slewing ring service life.

PRT felt seal ► **Page 732**

i Assembly instructions available in the download area ► www.igus.eu/prt-assembly

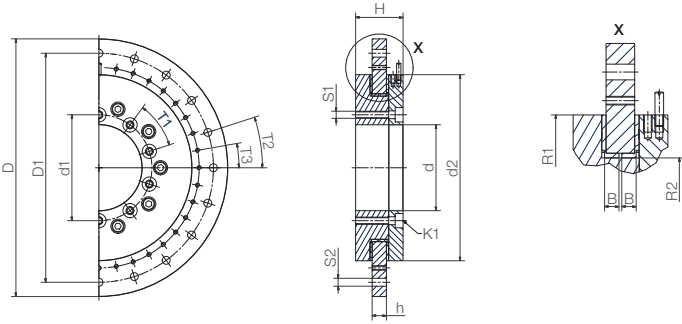


Type Size Options

PRT-01- 20 -AA

Slewing ring
Type
Inner Ø [mm]
Angle stop

- Quick adjustment of the stop
- Load ratings identical to standard type 01



Dimensions [mm]

D ¹⁰⁾	D1	d1	d	d2	H	h	T1	T2	S1	S2	K1 for screw		R1	R2	B	Part No.
80	70	31.0	20	60	24	8	6 x 60°	6 x 60°	M4	4.5	DIN 7984 M4		30	20	3.5	PRT-01-20-AA
100	91	42.5	30	82	29	10	8 x 45°	8 x 45°	M4	4.5	DIN 7984 M4		41	29	4.5	PRT-01-30-AA
150	135	65.0	50	120	33	10	8 x 45°	16 x 22,5°	M6	6.6	ISO 4762 M6		60	46.5	4.5	PRT-01-50-AA
160	145	74.0	60	130	33	10	10 x 36°	20 x 18°	M5	5.5	ISO 4762 M5		65	51.5	4.5	PRT-01-60-AA
185	170	112.0	100	160	34	12	12 x 30°	16 x 22,5°	M5	5.5	ISO 4762 M5		80	69	5.5	PRT-01-100-AA
250	235	165.0	150	220	35	12	12 x 30°	16 x 22,5°	M5	5.5	ISO 4762 M5		110	96.5	5.5	PRT-01-150-AA
300	285	215.0	200	274	38	15	12 x 30°	16 x 22,5°	M6	6.6	ISO 4762 M6		137	124	7.0	PRT-01-200-AA
450	430	320.0	300	410	42	15	12 x 30°	16 x 22,5°	M8	9.0	DIN 7984 M8		205	186.6	7.0	PRT-01-300-AA

¹⁰⁾ Tolerance according to DIN ISO 2768 mK

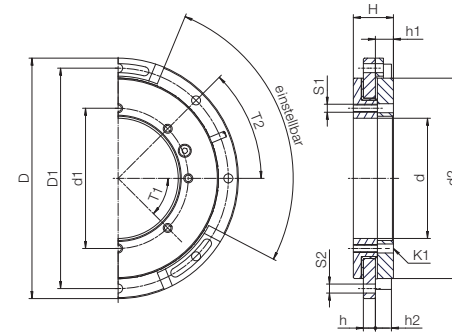


Type Size Options

PRT-04- 50 -TS

Slewing ring
Type
Inner Ø [mm]
Angle stop

- Already successfully in use for years with PRT-01
- Compact design means 60% less weight compared to the PRT-01 series



Dimensions [mm]

D	D1	d1	d	d2	H	h	h1	h2	Part No.
110	100	60	50	90	20	6	9	8	PRT-04-50-TS New
120	110	70	60	100	20	6	9	8	PRT-04-60-TS New
160	150	110	100	140	20	6	9	8	PRT-04-100-TS New
210	200	160	150	190	20	6	9	8	PRT-04-150-TS New
260	250	210	200	240	20	6	9	8	PRT-04-200-TS New
360	350	310	300	340	20	6	9	8	PRT-04-300-TS New

T1	T2	S1	S2	K1 for screw	Part No.
8 x 45°	8 x 45°	M4	Ø 4.5	Ø 4.5	PRT-04-50-TS New
8 x 45°	8 x 45°	M4	Ø 4.5	Ø 4.5	PRT-04-60-TS New
8 x 45°	8 x 45°	M4	Ø 4.5	Ø 4.5	PRT-04-100-TS New
16 x 22.5°	16 x 22.5°	M4	Ø 4.5	Ø 4.5	PRT-04-150-TS New
16 x 22.5°	16 x 22.5°	M4	Ø 4.5	Ø 4.5	PRT-04-200-TS New
16 x 22.5°	16 x 22.5°	M4	Ø 4.5	Ø 4.5	PRT-04-300-TS New



Type Size

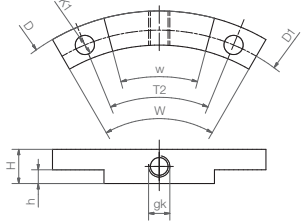
PRT-HK-30-K

Options:

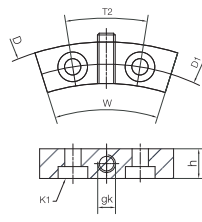
- Blank: Threaded pin
- K: Manual clamp

Slewing ring
Manual clamp
Inner Ø [mm]
Manual clamp

- With 1Nm screw torque, a holding torque up to 10Nm is possible
- Easy to screw onto outer ring



PRT-HK-20/30



PRT-HK-50/60/100/150/200/300



PRT-HK-60



PRT-HK-60-K

PRT with fitted manual clamp

Dimensions [mm]

D	D1	T2	K1 for screw	H	h	gk	W	Part No.
80	70	60.0°	Ø 4.5	7	3.2	M5	90°	PRT-HK-20
100	91	45.0°	Ø 4.5	8	3.2	M5	60°	PRT-HK-30
150	135	22.5°	Ø 11.0	-	10	M6	40°	PRT-HK-50
160	145	18.0°	Ø 10.0	-	10	M6	35°	PRT-HK-60
205	185	22.5°	Ø 10.0	-	10	M6	40°	PRT-HK-100 ¹²⁾
210	200	22.5°	Ø 10.0	-	10	M6	35°	PRT-HK-150
320	300	22.5°	Ø 11.0	-	10	M6	40°	PRT-HK-200 ¹²⁾
360	350	22.5°	Ø 15.0	-	12	M6	30°	PRT-HK-300

¹²⁾ To be connected only with enlarged outer ring

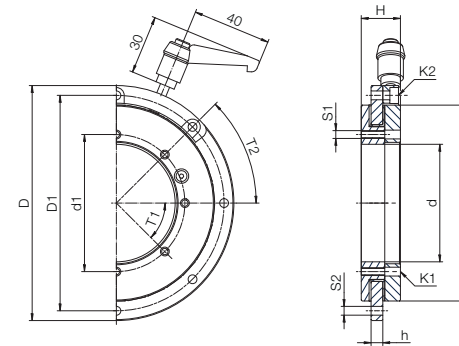


Type Size Options

PRT-04-20-HK

Slewing ring
Type
Inner Ø [mm]
Manual clamp

- Securing against unintentional adjustment
- Easy to fit
- Part of the extensive PRT modular system
- With 1Nm screw torque, a holding torque up to 10Nm is possible



Dimensions [mm]

D	D1	d	d1	d2	H	h	T1	T2	S1	S2 H13	K1 H13	Part No.
80	70	20	30	60	20	6	8 x 45°	8 x 45°	M4	4.5	4.5	PRT-04-20-HK New
90	80	30	40	70	20	6	8 x 45°	8 x 45°	M4	4.5	4.5	PRT-04-30-HK New
110	100	50	60	90	20	6	8 x 45°	8 x 45°	M4	4.5	4.5	PRT-04-50-HK New
120	110	60	70	100	20	6	8 x 45°	8 x 45°	M4	4.5	4.5	PRT-04-60-HK New
160	150	100	110	140	20	6	8 x 45°	8 x 45°	M4	4.5	4.5	PRT-04-100-HK New
210	200	150	160	190	20	6	16 x 22,5°	16 x 22,5°	M4	4.5	4.5	PRT-04-150-HK New
260	250	200	210	240	20	6	16 x 22,5°	16 x 22,5°	M4	4.5	4.5	PRT-04-200-HK New
360	350	300	310	340	20	6	16 x 22,5°	16 x 22,5°	M4	4.5	4.5	PRT-04-300-HK New

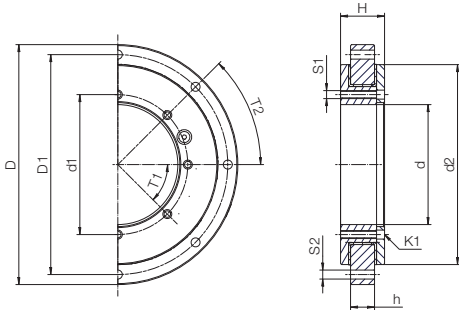


Type Size Options

PRT-04- 50 -R

Slewing ring
Type
Inner Ø [mm]
Locking mechanism

- Repeatable defined location points
- Can also be ideally combined with the optional T-slot plate for your assembly table, for example
- Slewing ring with defined latching points; can be released with a force of 30N (+-2N)
- Standard versions have locking points every 90°
- Locking points can be individually defined



Dimensions [mm]

D	D1	d1	d	d2	H	h	T1	T2	S1	S2	K1	Part No.
				-0.1/-0.5								
												for screw
80	70	30	20	60	22	12	8 × 45°	8 × 45°	M4	Ø 4.5	M4	PRT-04-20-R New
90	80	40	30	70	22	12	8 × 45°	8 × 45°	M4	Ø 4.5	M4	PRT-04-30-R New
110	100	60	50	90	22	12	8 × 45°	8 × 45°	M4	Ø 4.5	M4	PRT-04-50-R New
120	110	70	60	100	22	12	8 × 45°	8 × 45°	M4	Ø 4.5	M4	PRT-04-60-R New
160	150	110	100	140	22	12	8 × 45°	8 × 45°	M4	Ø 4.5	M4	PRT-04-100-R New
210	200	160	150	190	22	12	16 × 22.5°	16 × 22.5°	M4	Ø 4.5	M4	PRT-04-150-R New
260	250	210	200	240	22	12	16 × 22.5°	16 × 22.5°	M4	Ø 4.5	M4	PRT-04-200-R New
360	350	310	300	340	22	12	16 × 22.5°	16 × 22.5°	M4	Ø 4.5	M4	PRT-04-300-R New



PRT-04_xx_ART

PRT-04_xx_ART-PD



PRT-04_xx_ART-U

PRT-04_xx_ART-RC



Type Size Options

PRT-04- 50 -ART-□

Slewing ring
Type
Inner Ø [mm]
Locking device
Design

Options:

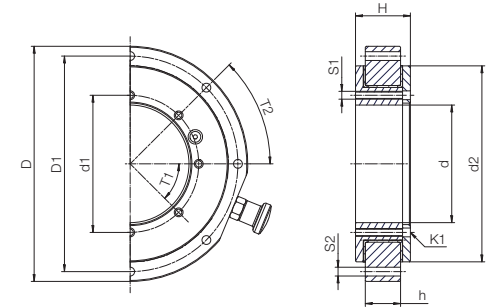
□ = Suffix

PD: With locking mechanism and position monitoring

U: With locking mechanism and universal adapter

RC: With locking mechanism and remote trigger

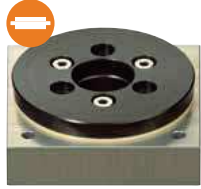
- Easy and quick release by hand or remote trigger
- Available with electronic closing control mechanism or with universal adapter for custom solutions



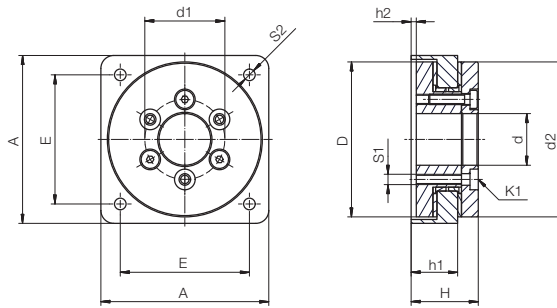
Dimensions [mm]

D1	D1	d	d1	Ø d2	H	h	T1	T2	S1	S2	K1	Part No.
												H13 H13
80	70	20	30	60	28	6	8 × 45°	8 × 45°	M4	Ø 4.5	4.5	PRT-04-20-ART-□ New
90	80	30	40	70	28	6	8 × 45°	8 × 45°	M4	Ø 4.5	4.5	PRT-04-30-ART-□ New
110	100	50	60	90	28	6	8 × 45°	8 × 45°	M4	Ø 4.5	4.5	PRT-04-50-ART-□ New
120	110	60	70	100	28	6	8 × 45°	8 × 45°	M4	Ø 4.5	4.5	PRT-04-60-ART-□ New
160	150	100	110	140	28	6	8 × 45°	8 × 45°	M4	Ø 4.5	4.5	PRT-04-100-ART-□ New
210	200	150	160	190	28	6	16 × 22.5°	16 × 22.5°	M4	Ø 4.5	4.5	PRT-04-150-ART-□ New
260	250	200	210	240	16	6	16 × 22.5°	16 × 22.5°	M4	Ø 4.5	4.5	PRT-04-200-ART-□ New
360	350	300	310	340	16	6	16 × 22.5°	16 × 22.5°	M4	Ø 4.5	4.5	PRT-04-300-ART-□ New

Slewing rings with square flange for direct mounting on flat surfaces



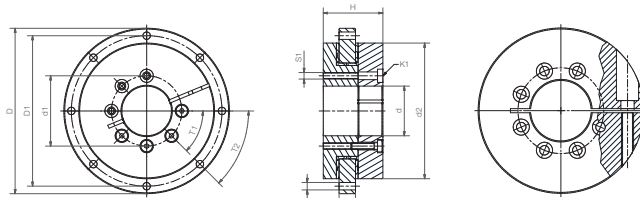
- No through-hole necessary
- No separate spacer ring
- Fix with only 4 screws



Dimensions [mm]

d	d1	d2	D	A	E	H	h1	h2	T1	S1	S2	K1	Part No.
for screw													
20	31.0	60	62	65	50	26.0	18	2.0	6 x 60°	M4	4.5	DIN 7984 M4	PRT-01-20-SQ
30	42.5	82	84	85	65	30.5	21	1.5	8 x 45°	M4	4.5	DIN 7984 M4	PRT-01-30-SQ
50	65.0	120	122	125	100	34.5	23	1.5	8 x 45°	M6	6.6	ISO 4762 M6	PRT-01-50-SQ

Slewing rings with collar clamp



Slewing ring with PRT-01-30-C collar clamp

Collar clamp for PRT-01-30-C

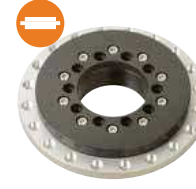
Slewing ring PRT-01-30 with collar clamp for 30h7 tolerance shafts.

- For simple handling designs
- Quick and easy assembly
- Max. tightening torque: 5Nm

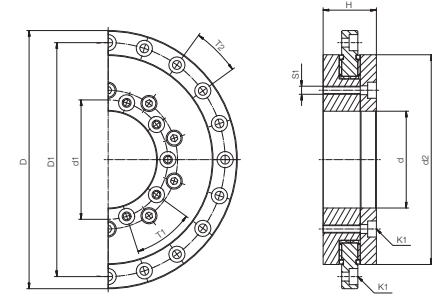
Dimensions [mm]

D	D1	d1	d	d2	H	h	T1	T2	S1	S2	K1	Part No.
for screw												
80	70	31	20	60	32.5	8	4 x 60°	6 x 60°	M4	4.5	DIN 7984 M4	PRT-01-20-C
100	91	42.5	30	82	36.0	10	6 x 45°	8 x 45°	M4	4.5	DIN 7984 M4	PRT-01-30-C

Slewing rings with seal (-D: one-sided, -DD: both-sided)



- For use in extremely dirty environments
- High wear resistance
- For high loads and high stiffness

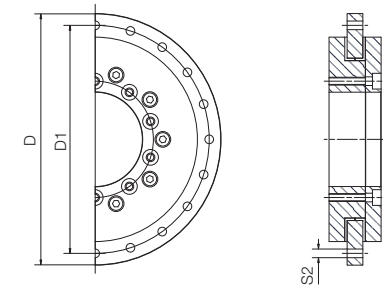


Dimensions [mm]

D ¹⁰⁾	D1	d1	d	d2	H	h	T1	T2	S1	S2	K1	R1	R2	B	Part No.
for screw															
160	145	74	60	130	33	10	10 x 36°	20 x 18°	M5	5.5	ISO 4762 M5	65	51.5	4.5	PRT-01-60-D/DD
185	170	112	100	160	34	12	12 x 30°	16 x 22,5°	M5	5.5	ISO 4762 M5	80	69	5.5	PRT-01-100-D/DD

¹⁰⁾ Tolerance according to DIN ISO 2768 mK

Slewing rings with enlarged outer ring



- Easy to install replaceable sliding pads
- High wear resistance
- For high loads and high stiffness

Dimensions [mm] - other dimensions similar to standard type PRT-01 ▶ Page 710

D	D1	S2	Part No. ¹¹⁾
205	185	5.5	PRT-01-100-M-ARG
205	185	M6	PRT-01-100-M-ARGG
205	185	5.5	PRT-01-100-M-ARGS
320	300	7.0	PRT-01-200-M-ARG
320	300	M8	PRT-01-200-M-ARGG
320	300	7.0	PRT-01-200-M-ARGS

¹¹⁾ Ending: -G standard hole, -GG threaded hole or -GS counterbore



- Easy to install and replaceable sliding elements
- High wear resistance
- For high loads and high stiffness
- Housing made of aluminium

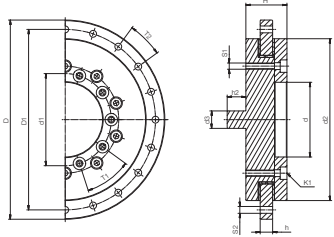


Order key

Type	Size	Options
------	------	---------

PRT-01- 60 - DP

Slewing ring	Type	Inner Ø [mm]	Drive pin
--------------	------	--------------	-----------



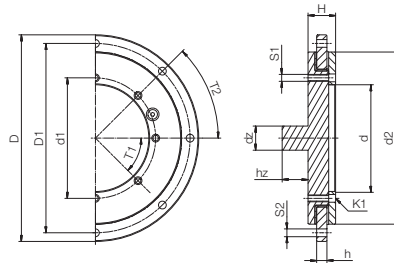
Dimensions [mm]

D	D1	d1	d	d2	d2-	H	h	T1	T2	S1	S2	K1	R1	R2	B	h2	Part No.
Tolerance																	
160	145	74	60	130	±0.2	33	10	10 x 36°	20 x 18°	M5	5.5	M5	65	51.5	4.5	15	PRT-01-60-DP

PRT with assembled drive pin - type 04



- Easy replacement and extension: modular construction kit design
- Driving the easy way with drive pin for couplings
- Adjustable with manual clamps



Dimensions [mm]

D	D1	d1	d	d2	dz	hz	H	h	T1	T2	S1	S2	K1	Part No.	
for screw															
With DrivePin															
80	70	30	22	60	14	h6	15	16	6	8 x 45°	8 x 45°	M4	Ø 4.5	Ø 4.5	PRT-04-20-DP New
90	80	40	32	70	14	h6	15	16	6	8 x 45°	8 x 45°	M4	Ø 4.5	Ø 4.5	PRT-04-30-DP New
110	100	60	52	90	14	h6	15	16	6	8 x 45°	8 x 45°	M4	Ø 4.5	Ø 4.5	PRT-04-50-DP
120	110	70	62	100	14	h6	15	16	6	8 x 45°	8 x 45°	M4	Ø 4.5	Ø 4.5	PRT-04-60-DP
160	150	110	102	140	14	h6	15	16	6	8 x 45°	8 x 45°	M4	Ø 4.5	Ø 4.5	PRT-04-100-DP
210	200	160	152	190	14	h6	15	16	6	16 x 22.5°	16 x 22.5°	M4	Ø 4.5	Ø 4.5	PRT-04-150-DP
260	250	210	202	240	14	h6	15	16	6	16 x 22.5°	16 x 22.5°	M4	Ø 4.5	Ø 4.5	PRT-04-200-DP
360	350	310	302	340	14	h6	15	16	6	16 x 22.5°	16 x 22.5°	M4	Ø 4.5	Ø 4.5	PRT-04-300-DP



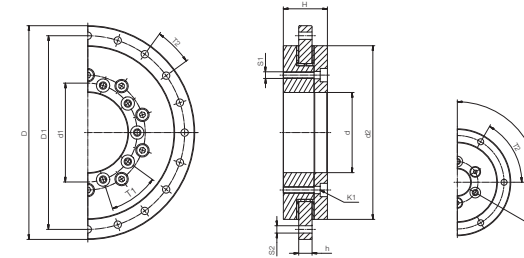
Order key

Type	Size	Options
------	------	---------

PRT-01- 30 - PR.W-DS

Slewing ring	Type	Inner Ø [mm]	Wear monitoring
--------------	------	--------------	-----------------

- No unplanned machine downtime
- Early information about bearing wear prevents the assembly from damage



Dimensions [mm]

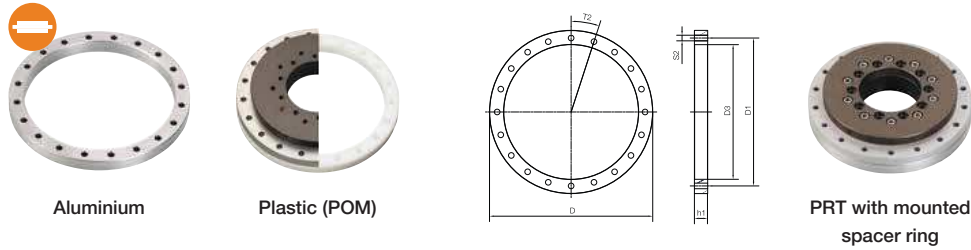
D ¹⁰⁾	D1	d1	d	d2	H	h	T1	T2	Part No.
±0.2									
80	70	31	20	60	24	8	3 x 120°	6 x 60°	PRT-01-20-PR.W-DS New
100	91	42.5	30	82	29	10	4 x 90°	8 x 45°	PRT-01-30-PR.W-DS New
150	135	65	50	120	33	10	8 x 45°	16 x 22,5°	PRT-01-50-PR.W-DS New
160	145	74	60	130	33	10	10 x 36°	20 x 18°	PRT-01-60-PR.W-DS New
185	170	112	100	160	34	12	12 x 30°	16 x 22,5°	PRT-01-100-PR.W-DS New
250	235	165	150	220	35	12	12 x 30°	16 x 22,5°	PRT-01-150-PR.W-DS New
300	285	215	200	274	38	15	12 x 30°	16 x 22,5°	PRT-01-200-PR.W-DS New
450	430	320	300	410	42	15	12 x 30°	16 x 22,5°	PRT-01-300-PR.W-DS New

S1	S2	K1	R1	R2	B	Part No.
for screw						
M4	4.5	DIN 7984 M4	30	20.0	3.5	PRT-01-20-PR.W-DS New
M4	4.5	DIN 7984 M4	41	29.0	4.5	PRT-01-30-PR.W-DS New
M6	6.6	ISO 4762 M6	60	46.5	4.5	PRT-01-50-PR.W-DS New
M5	5.5	ISO 4762 M5	65	51.5	4.5	PRT-01-60-PR.W-DS New
M5	5.5	ISO 4762 M5	80	69.0	5.5	PRT-01-100-PR.W-DS New
M5	5.5	ISO 4762 M5	110	96.5	5.5	PRT-01-150-PR.W-DS New
M6	6.6	ISO 4762 M6	137	124.0	7.0	PRT-01-200-PR.W-DS New
M8	9.0	DIN 7984 M8	205	186.6	7.0	PRT-01-300-PR.W-DS New

¹⁰⁾ Tolerance according to DIN ISO 2768 mK



Available upon request



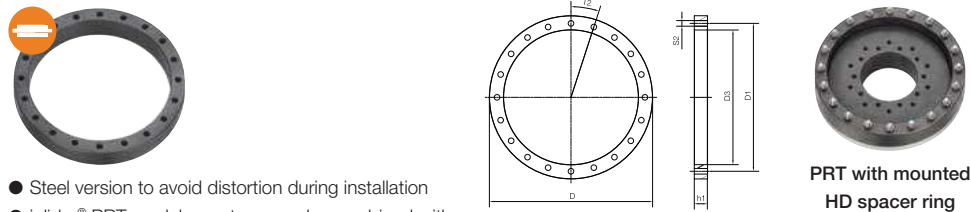
- Easy installation
- Can be combined with all sizes

Dimensions [mm]

D	D1	T2	S2	D	D3	h1	Part No. ³⁹⁾
80	70	6 x 60°	4.5	62	10	PRT-01-20-DR	
100	91	8 x 45°	4.5	84	11	PRT-01-30-DR	
150	135	16 x 22,5°	6.6	122	13	PRT-01-50-DR	
160	145	20 x 18°	5.5	132	13	PRT-01-60-DR	
185	170	16 x 22,5°	5.5	162	13	PRT-01-100-DR	
250	235	16 x 22,5°	5.5	222	13	PRT-01-150-DR	
300	285	16 x 22,5°	7.0	276	13	PRT-01-200-DR	
450	430	16 x 22,5°	9.0	412	15	PRT-01-300-DR	

³⁹⁾ Please add suffix "-POM" for plastic version (not available for sizes 150 and 300)

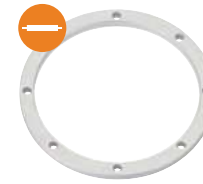
Spacer ring for heavy duty applications - type 01



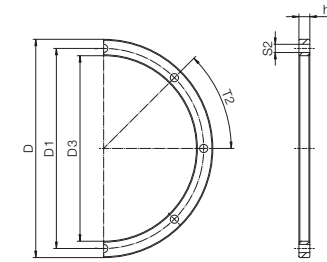
- Steel version to avoid distortion during installation
- iglidur® PRT modular system: can be combined with all sizes
- Corrosion-resistant

Dimensions [mm]

D	D1	T2	S2	D3	h1	Part No.
80	70	6 x 60°	4.5	62 ±0.2	20	PRT-01-20-DR-HD
100	91	8 x 45°	4.5	84	22	PRT-01-30-DR-HD
150	135	16 x 22,5°	6.6	122	26	PRT-01-50-DR-HD
160	145	20 x 18°	5.5	132	26	PRT-01-60-DR-HD
185	170	16 x 22,5°	5.5	162	26	PRT-01-100-DR-HD
250	235	16 x 22,5°	5.5	222	26	PRT-01-150-DR-HD
300	285	16 x 22,5°	7.0	276	26	PRT-01-200-DR-HD
450	430	16 x 22,5°	9.0	412	30	PRT-01-300-DR-HD



- Allows easy installation of slewing ring bearings on surfaces
- Part of the extensive modular system



Dimensions [mm]

D	D1	T2	S2	D3	h1	Part No.
80	70	8 x 45°	4.5	62	6	PRT-04-20-DR New
90	80	8 x 45°	4.5	72	6	PRT-04-30-DR New
110	100	8 x 45°	4.5	92	6	PRT-04-50-DR New
120	110	8 x 45°	4.5	102	6	PRT-04-60-DR New
160	150	8 x 45°	4.5	142	6	PRT-04-100-DR New
210	200	16 x 22,5°	4.5	192	6	PRT-04-150-DR New
260	250	16 x 22,5°	4.5	242	6	PRT-04-200-DR New
360	350	16 x 22,5°	4.5	342	6	PRT-04-300-DR New

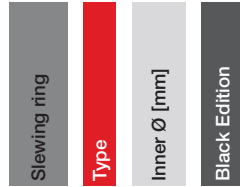
Order key

Type	Size	Options
PRT-04-	20	-DR
Slewing ring	Type	Inner Ø [mm]
		Spacer ring

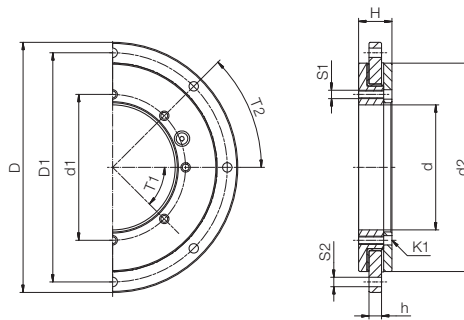


Type Size Options

PRT-04- 50 -BE



- Available with diameters from 20mm to 300mm
- 60% lighter and 50% more compact compared to PRT-01
- 20% more cost-effective compared to PRT-01
- Wear-resistant, lubrication-free and maintenance-free iglidur® sliding elements
- Black anodised coating anti-reflect. Black Edition for visible parts



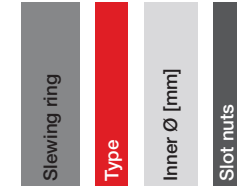
Dimensions [mm]

D	D1	d1	d	d2	H	h	T1	T2	S1	S2	K1	Part No.
												for screw
80	70	30	20	60	16	6	8 × 45°	8 × 45°	M4	Ø 4.5	Ø 4.5	PRT-04-20-BE New
90	80	40	30	70	16	6	8 × 45°	8 × 45°	M4	Ø 4.5	Ø 4.5	PRT-04-30-BE New
110	100	60	50	90	16	6	8 × 45°	8 × 45°	M4	Ø 4.5	Ø 4.5	PRT-04-50-BE
120	110	70	60	100	16	6	8 × 45°	8 × 45°	M4	Ø 4.5	Ø 4.5	PRT-04-60-BE
160	150	110	100	140	16	6	8 × 45°	8 × 45°	M4	Ø 4.5	Ø 4.5	PRT-04-100-BE
210	200	160	150	190	16	6	16 × 22.5°	16 × 22.5°	M4	Ø 4.5	Ø 4.5	PRT-04-150-BE
260	250	210	200	240	16	6	16 × 22.5°	16 × 22.5°	M4	Ø 4.5	Ø 4.5	PRT-04-200-BE
360	350	310	300	340	16	6	16 × 22.5°	16 × 22.5°	M4	Ø 4.5	Ø 4.5	PRT-04-300-BE

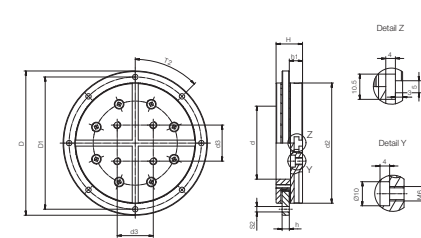


Type Size Options

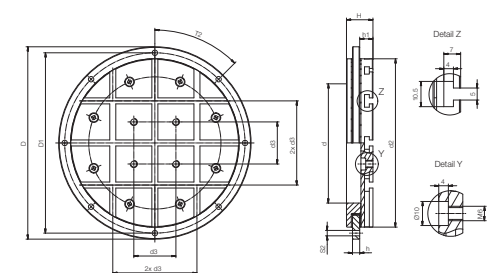
PRT-04- 50 - T



- Fast assembly
- Easy positioning with no additional holes



Slot nut profile up to size 60



Slot nut profile from size 100

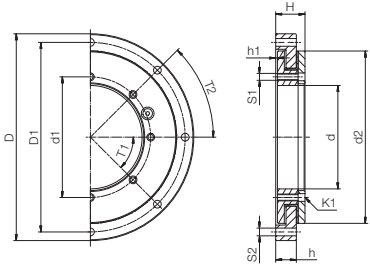
Dimensions [mm]

D	D1	d1	d	d2	H	h	h1	T2	S2	Part No.
80	70	30	20	60	22	6	11	8 × 45°	Ø 4.5	PRT-04-20-T New
90	80	40	30	70	22	6	11	8 × 45°	Ø 4.5	PRT-04-30-T New
110	100	60	50	90	22	6	11	8 × 45°	Ø 4.5	PRT-04-50-T
120	110	70	60	100	22	6	11	8 × 45°	Ø 4.5	PRT-04-60-T
160	150	110	100	140	22	6	11	8 × 45°	Ø 4.5	PRT-04-100-T
210	200	160	150	190	22	6	11	16 × 22.5°	Ø 4.5	PRT-04-150-T
260	250	210	200	240	22	6	11	16 × 22.5°	Ø 4.5	PRT-04-200-T
360	350	310	300	340	22	6	11	16 × 22.5°	Ø 4.5	PRT-04-300-T



With outer spacer ring

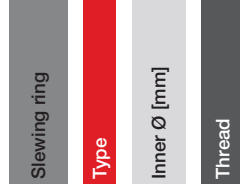
With large outer support ring



Order key

Type Size Options

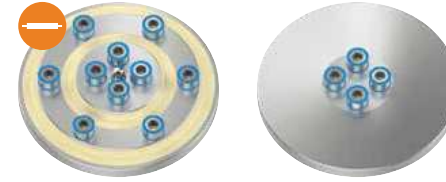
PRT-04- 50 -M4



- Maintenance-free and wear-resistant
- Easy installation
- Replaceable sliding elements

Dimensions [mm]

D	D1	d1	d	d2	H	h1	h	T1	T2	S1	S2	K1	Part No.
													for screw
With M4 thread in outer ring													
80	70	30	20	60	16	-	6	8 × 45°	8 × 45°	M4	M4	Ø 4.5	PRT-04-20-M4 New
90	80	40	30	70	16	-	6	8 × 45°	8 × 45°	M4	M4	Ø 4.5	PRT-04-30-M4 New
110	100	60	50	90	16	-	6	8 × 45°	8 × 45°	M4	M4	Ø 4.5	PRT-04-50-M4
120	110	70	60	100	16	-	6	8 × 45°	8 × 45°	M4	M4	Ø 4.5	PRT-04-60-M4
160	150	110	100	140	16	-	6	8 × 45°	8 × 45°	M4	M4	Ø 4.5	PRT-04-100-M4
210	200	160	150	190	16	-	6	16 × 22.5°	16 × 22.5°	M4	M4	Ø 4.5	PRT-04-150-M4
260	250	210	200	240	16	-	6	16 × 22.5°	16 × 22.5°	M4	M4	Ø 4.5	PRT-04-200-M4
360	350	310	300	340	16	-	6	16 × 22.5°	16 × 22.5°	M4	M4	Ø 4.5	PRT-04-300-M4
With enlarged outer ring													
80	70	30	20	60	16	-	6	8 × 45°	6 × 60°	M4	Ø 4.5	Ø 4.5	PRT-04-20-G New
100	91	40	30	70	16	-	6	8 × 45°	8 × 45°	M4	Ø 4.5	Ø 4.5	PRT-04-30-G New
150	135	60	50	90	16	-	6	8 × 45°	16 × 22.5°	M4	Ø 6.6	Ø 4.5	PRT-04-50-G
160	145	70	60	100	16	-	6	8 × 45°	20 × 18°	M4	Ø 5.5	Ø 4.5	PRT-04-60-G
185	170	110	100	140	16	-	6	8 × 45°	16 × 22.5°	M4	Ø 4.5	Ø 4.5	PRT-04-100-G
250	235	160	150	190	16	-	6	16 × 22.5°	16 × 22.5°	M4	Ø 4.5	Ø 4.5	PRT-04-150-G
300	285	210	200	240	16	-	6	16 × 22.5°	16 × 22.5°	M4	Ø 5.5	Ø 4.5	PRT-04-200-G
450	430	310	300	340	16	-	6	16 × 22.5°	16 × 22.5°	M4	Ø 9.0	Ø 4.5	PRT-04-300-G
With outer spacer ring													
80	70	30	20	60	17	1	12	8 × 45°	8 × 45°	M4	Ø 4.5	Ø 4.5	PRT-04-20-DRI New
90	80	40	30	70	17	1	12	8 × 45°	8 × 45°	M4	Ø 4.5	Ø 4.5	PRT-04-30-DRI New
110	100	60	50	90	17	1	12	8 × 45°	8 × 45°	M4	Ø 4.5	Ø 4.5	PRT-04-50-DRI
120	110	70	60	100	17	1	12	8 × 45°	8 × 45°	M4	Ø 4.5	Ø 4.5	PRT-04-60-DRI
160	150	110	100	140	17	1	12	8 × 45°	8 × 45°	M4	Ø 4.5	Ø 4.5	PRT-04-100-DRI
210	200	160	150	190	17	1	12	16 × 22.5°	16 × 22.5°	M4	Ø 4.5	Ø 4.5	PRT-04-150-DRI
260	250	210	200	240	17	1	12	16 × 22.5°	16 × 22.5°	M4	Ø 4.5	Ø 4.5	PRT-04-200-DRI
360	350	310	300	340	17	1	12	16 × 22.5°	16 × 22.5°	M4	Ø 4.5	Ø 4.5	PRT-04-300-DRI



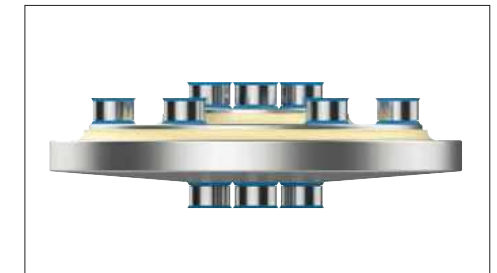
- Easy to clean according to hygienic design guidelines
- With certified hygienic design screws
- Low dead space design, even on the seals
- FDA-compliant seals

The slewing rings with hygienic design are used in special machine construction and designed to your requirements. Contact us!

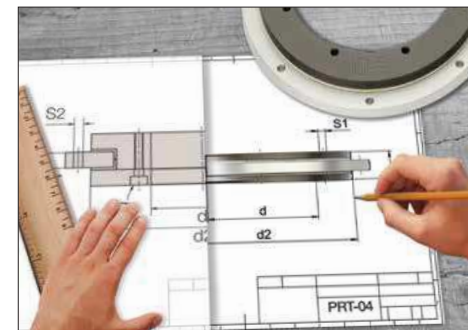
► www.igus.eu/prt-enquiry



Easy to clean: PRT hygienic design for the beverage industry

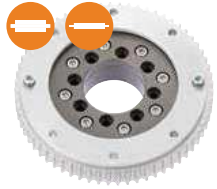


PRT made of stainless steel with hygienic design seals



If you cannot find the right product in our constantly growing range, simply contact us. We would be happy to help you designing your slewing ring bearing.

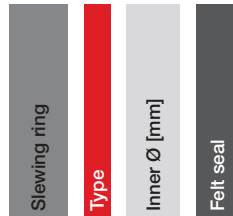
By entering a few parameters regarding installation space, load, speed and environment, we configure the right bearing for your application.



Order key

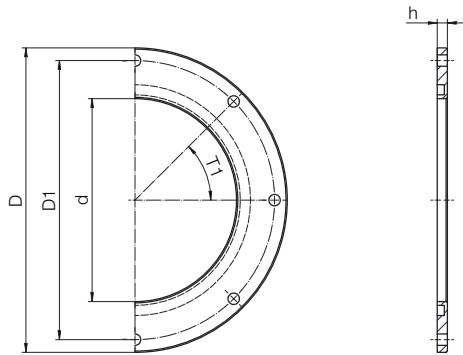
Type Size Options

PRT-□- 20 -SG



Options:
01: Type 01
04: Type 04

- Prevents dirt from reaching the sliding elements
- For all 01 and 04 series sizes
- Part of the extensive PRT modular system
- No additional lubricants necessary
- For all PRT series

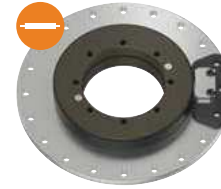


Dimensions [mm]

D	D1	d	h	T1	Part No.
80	70	20	4	8 x 45°	PRT-□-20-SG New
90	80	30	4	8 x 45°	PRT-□-30-SG New
110	100	50	4	8 x 45°	PRT-□-50-SG New
120	110	60	4	8 x 45°	PRT-□-60-SG New
160	150	100	4	8 x 45°	PRT-□-100-SG New
210	200	150	4	16 x 22,5°	PRT-□-150-SG New
260	250	200	4	16 x 22,5°	PRT-□-200-SG New
360	350	300	4	16 x 22,5°	PRT-□-300-SG New



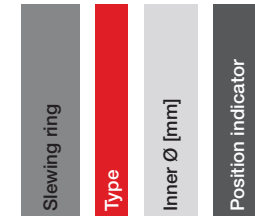
Assembly instructions available in the download area ► www.igus.eu/prt-assembly



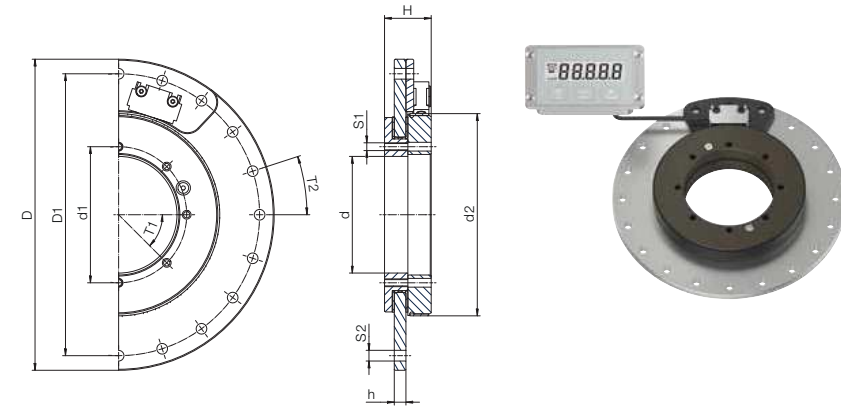
Order key

Type Size Options

PRT-04- 60 -AM

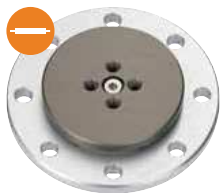


- Exact detection of the rotation angle
- Part of the extensive PRT modular system



Dimensions [mm]

D	D1	d	d1	d2	H	h	T1	T2	S1	S2	K1	Weight	Part No.
										H13	H13	[g]	
150	135	70	70	104	24	6	8 x 45°	8 x 45°	M4	4.5	4.5	4.5	PRT-04-60-AM New



- Tight tolerances
- Suitable for smallest installation space
- Robust and lightweight



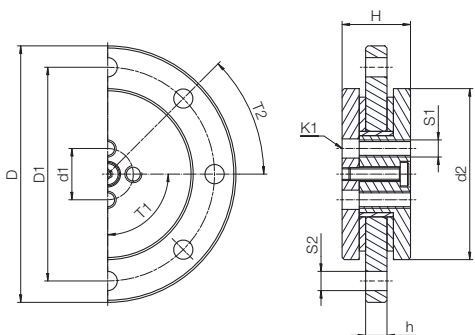
Order key

Type Size Options

PRT-04- 00 -PL

Slewing ring	Type	Inner Ø [mm]	Preload
--------------	------	--------------	---------

Option:
PL:
Pre-load version

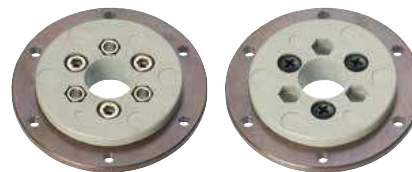


Dimensions [mm]

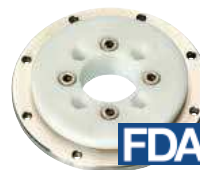
D	D1	d1	Ø d2	H	h	T1	T2	S1	S2	K1	Part No.
60	50	12	40	16	5	90°	8 x 45°	M4	4.5	4.5	PRT-04-00-PL New



Standard Stainless steel version



Low-cost version Solid plastic design



FDA-compliant

- Slewing rings with extremely light weight
- Outer ring made from anodised aluminium, 316 stainless steel (upon request) or iguton G
- Collar clamps made from iglidur® J4 or FDA-compliant iglidur® A180
- 30% lighter than standard -AL type



Order key

Type Size Options

PRT-02- 20 -AL -A180

Slewing ring	Type	Inner Ø [mm]	Housing material	Collar clamps
--------------	------	--------------	------------------	---------------

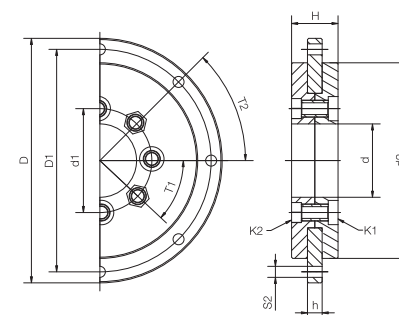
Options:

Housing material

- AL: Aluminium
- ES: 316 stainless steel
- LC: Low-cost
- P: Solid plastic

Collar clamps

- Blank: iglidur® J4
- A180: iglidur® A180, FDA-compliant



Dimensions [mm]

D ¹⁰⁾	D1	d1	d	d2	H	h	T1	T2	S2	K1	K2	Part No.
										for screw	for screw nut	
80	70	31	20	60	16	5	6 x 60°	6 x 60°	4.5	DIN 6912 M5	ISO 4035 M5	PRT-02-20- <input type="text"/>
100	91	42.5	30	80	19	6	8 x 45°	8 x 45°	4.5	DIN 7984 M5	ISO 4035 M5	PRT-02-30- <input type="text"/>
150	135	65	50	120	20	6	16 x 22,5°	8 x 45°	6.6	Through hole 6.5 mm		PRT-02-50- <input type="text"/>
160	145	86.0	60	130	30	10	12 x 30°	20 x 18°	5.5	Counterbore Ø16 and 6.5 deep		PRT-02-60- <input type="text"/> ¹¹⁶⁾

¹⁰⁾ Tolerance according to DIN ISO 2768 mK

¹¹⁶⁾ Only available with body made from aluminium and stainless steel

Please add suffix "-A180" for FDA-compliant version



Order key

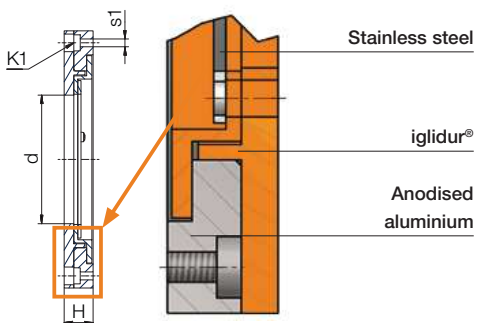
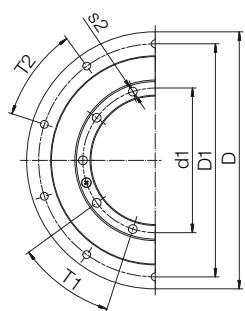
Type Size

PRT-03-80

Slewing ring	Type	Inner Ø [mm]
--------------	------	--------------

iglidur® PRT slewing rings in a low-cost design. Through consistent downsizing, an additional design has been created that relies even more on plastic.

- Maintenance-free and lubrication-free
- Cost-effective and lightweight
- Reduced space requirement
- Ready-to-fit
- For temperatures from 0 to +60°C



Dimensions [mm]

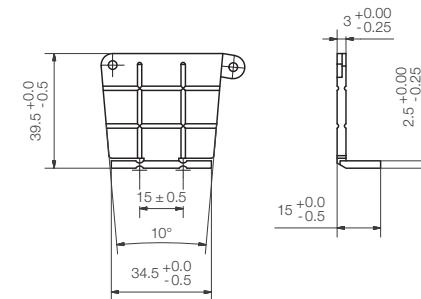
D	D1	d1	d	H	T1	T2	s1	s2	K1	Part No.
160	145	90	80	18	10 x 36°	10 x 36°	M6	5.5	DIN 7984 M5 for screw	PRT-03-80

Customise your own slewing ring systems

Using the versatile iglidur® PRT universal sliding elements, large slewing ring systems can be tailored to the type 01.

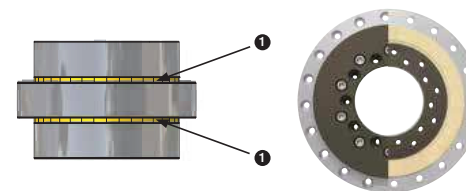


- Made from the proven iglidur® J ▶ **Page 163**
- Slewing ring bearings possible from 0.5 up to 5 metres
- Robust and resistant to dirt
- Corrosion-free and resistant to liquids



Part No.
JRS-500S/45S

Basic structure of type 01:



1 Sliding elements made from iglidur® J

Replacement kit for type 01 and 04

Wear-resistant parts easily replaceable

The PRT sliding element replacement kit for the PRT-01 and PRT-04 series allows you to replace worn sliding elements with new ones. They extend the service life of your PRT slewing ring bearings and protect the environment. Assembly instructions available in the download area ▶ www.igus.eu/prt-assembly

Order example:

PRT-01-20-KIT-J: Replacement kit for PRT slewing rings, type 01, inner diameter 20mm, sliding elements material iglidur® J



iglidur® A180

- Complies with Food and Drug Administration (FDA) regulations for contact with food



iglidur® F2

- ESD-compliant
- Electrically conductive



iglidur® H1

- Resistance to chemicals and high temperatures
- Well suited to pivoting movements



iglidur® J

- Low coefficient of friction during dry operation
- Low moisture absorption
- Low particle emission