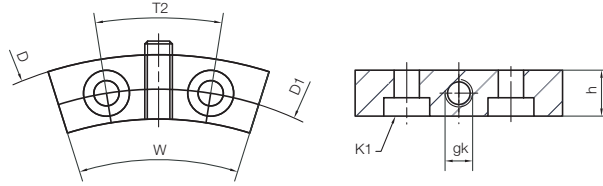




Hand clamp

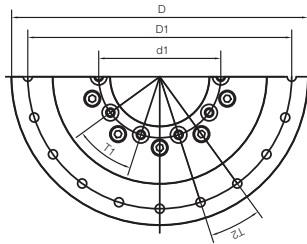


- With 1 Nm screw torque a holding torque up to 10 Nm is possible
- Easy to screw onto outer ring

Picture shows PRT with fitted manual clamp

Part No.	D[mm]	D1[mm]	T2[°]	K1	h[mm]	gk	W[°]
PRT-HK- 60	160	145	20x18	DIN 7984 M5	10	M6	35
PRT-HK-100*	205	185	16x22,5	DIN 7984 M5	12	M6	40
PRT-HK-200*	320	300	16x22,5	DIN 7984 M6	15	M6	40

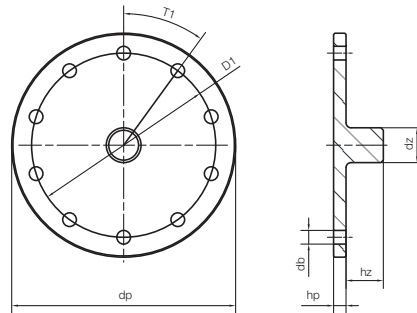
* Only available with large outer rings



Large outer ring

Part No.	D[mm]	D1[mm]	d1[mm]	T1[°]	T2[°]
PRT-01-100-ARG...	205	185	112	12 x 30	16 x 22,5
PRT-01-200-ARG...	320	300	215	12 x 30	16 x 22,5

Drive plate

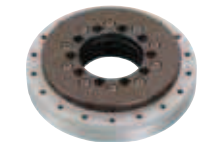
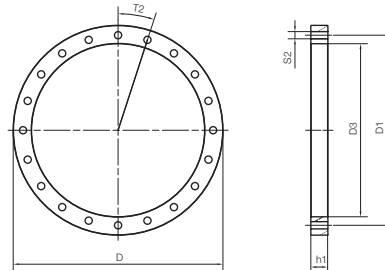
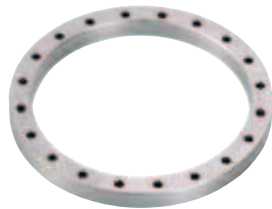


- For quick and easy drive coupling

Picture shows PRT with fitted drive plate

Part No.	dp[mm]	hp[mm]	dz[mm]	hz[mm]	D1[mm]	T1[°]	db[mm]
PRT-AZ-60	90	5	14	15	74	10x36	5,5

Distance rings



- Easier, more flexible mounting
- No bore in the mounting face necessary

Picture shows PRT with fitted distance ring

Part No.	D[mm]	D1[mm]	T2[°]	S2[mm]	D3[mm]	h1[mm]
PRT-01-30-DR	100	91	8x45	4,5	84	11
PRT-01-60-DR	160	145	20x18	5,5	132	13
PRT-01-100-DR	185	170	16x22,5	5,5	162	13
PRT-01-150-DR	250	235	16x22,5	5,5	222	13
PRT-01-200-DR	300	285	16x22,5	7,0	276	13