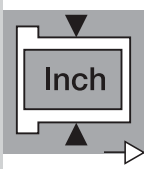
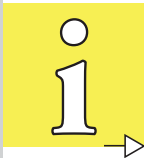
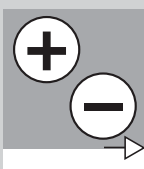


iglidur® W300

Phone +49 - 22 03 - 96 49-145
 Fax +49 - 22 03 - 96 49-334



iglidur® W300 – The Marathon Runner



- For especially high service life
- Low coefficient of friction
- Extremely high wear resistance
- Also suitable for soft shafts
- Resistant to dirt

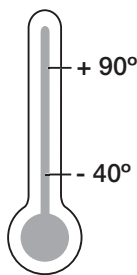
The iglidur® W300 material gives excellent wear resistance, even in harsh environments or when used with rough shafts. Of all iglidur® materials, iglidur® W300 is the most resistant to these conditions.

iglidur® W300

3 styles
> 400 dimensions
Ø 2–120 mm



Phone +49 - 22 03 - 96 49-145
Fax +49 - 22 03 - 96 49-334



igus® GmbH
51147 Cologne

Price index



The Marathon Runner



When to use iglidur® W300 plain bearings:

- When especially high service life is necessary
- When low coefficients of dynamic friction and high wear resistance are needed
- For use on 303 stainless steel shafts
- For harsh environments and very rough shafts
- Dirt resistant

When not to use iglidur® W300 plain bearings:

- For high loads starting at 50 MPa
▶ iglidur® Q (chapter 18)
- When temperatures are constantly above 130°C
▶ iglidur® H (chapter 12),
iglidur® X (chapter 6)
- For very wet ambiances
▶ iglidur® J (chapter 3)
- When an economical bearing is desired
▶ iglidur® G (chapter 2)
- ▶ iglidur® H (chapter 12), X (chapter 6)

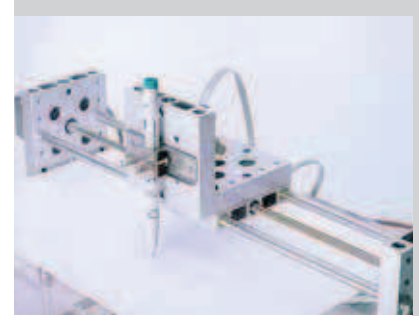


Picture 5.1: By converting to iglidur® W300 the life of the bearing on this tea bag packaging machine was increased by five times

Material Table

General Properties	Unit	iglidur® W300	Testing Method
Density	g/cm ³	1,24	
Colour		Yellow	
Max. moisture absorption at 23°C / 50% r.F.	% weight	1,3	DIN 53495
Max. moisture absorption	% weight	6,5	
Coefficient of sliding friction, dynamic against steel μ		0,08 - 0,23	
p x v value, max. (dry)	MPa x m/s	0,23	
Mechanical Properties			
Modulus of elasticity	MPa	3.500	DIN 53457
Tensile strength at 20°C	MPa	125	DIN 53452
Compressive strength	MPa	61	
Max. recommended surface pressure (20°C)	MPa	60	
Shore D hardness		77	DIN 53505
Physical and Thermal Properties			
Max. long term application temperature	°C	90	
Max. short term application temperature	°C	180	
Min. application temperature	°C	-40	
Thermal conductivity	W/m x K	0,24	ASTM C 177
Coefficient of thermal expansion	K ⁻¹ x 10 ⁻⁵	9	DIN 53752
Electrical Properties			
Specific volume resistance	Ω cm	> 10 ¹³	DIN IEC 93
Surface resistance	Ω	> 10 ¹²	DIN 53482

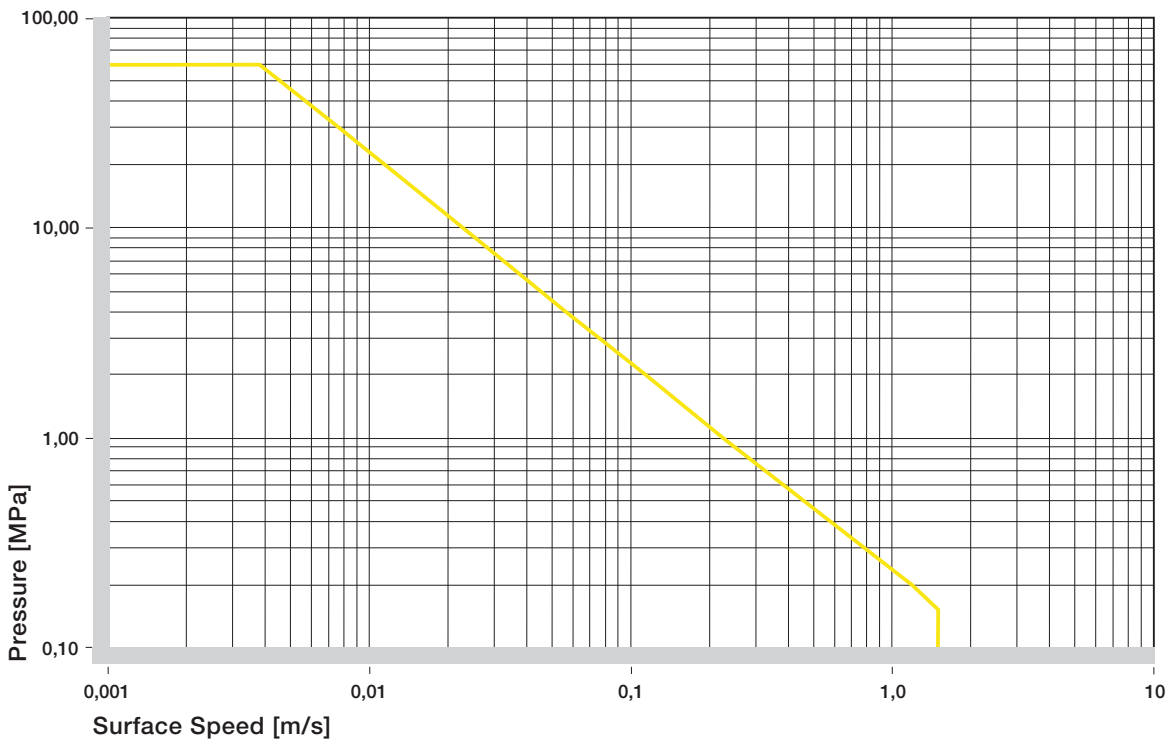
Table 5.1: Material Data



Picture 5.2: Very low coefficients of friction – essential when the driving force is low.

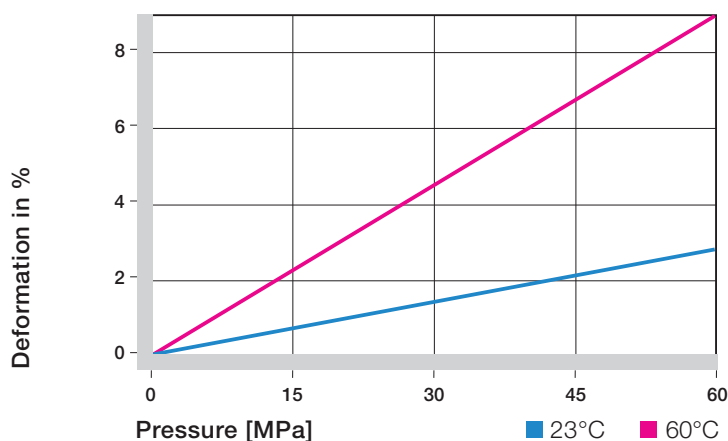


Picture 5.3: iglidur® W300: the highest wear resistance even in places where abrasive media contacts the bearing



Graph 5.1: Permissible p x v values for iglidur® W300 running dry against a steel shaft, at 20°C

Navigation icons: +, -, i, mm, Inch



Graph 5.2: Deformation under pressure and temperature

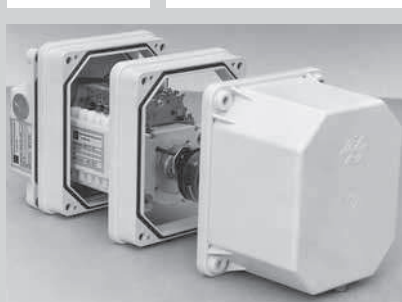
m/s	Rotating	Oscillating	Linear
Continuous	1	0,7	4
Short term	2,5	1,8	6

Table 5.2: Maximum surface speeds

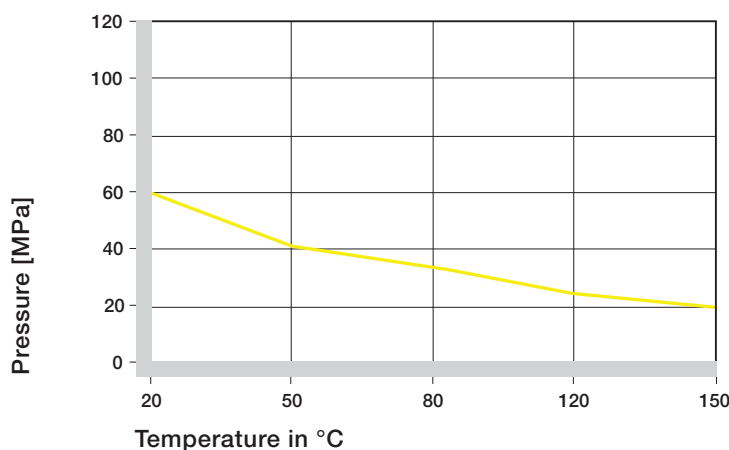
iglidur® W300 Application Temperature

Minimum	-40 °C
Max. long term	+90 °C
Mechanical fixed	+130 °C
Max. short term	+180 °C

Table 5.3: Temperature limits for iglidur® W300



Picture 5.4: A quote from the test evaluation: "The plain bearing with the W300 material showed no wear at all"



Graph 5.3: Recommended maximum surface pressure of iglidur® W300 as a function of temperature

iglidur® W300	Dry	Grease	Oil	Water
C.o.f. [μ]	0,08–0,23	0,09	0,04	0,04

Table 5.4: Coefficient of friction for iglidur® W300 against steel (Ra = 1 μm, 50 HRC)

iglidur® W300 gives excellent wear resistance, even in harsh environments or when used with rough shafts. This material is the most tolerant of these external effects out of all the iglidur® range.

Surface Pressure

iglidur® W300 exhibits a very high compression resistance in spite of its high elasticity. Graph 5.2 shows the elastic deformation of iglidur® W300 under radial loading. At the recommended maximum surface pressure of 60 MPa, the deformation at room temperature is less than 3%.

Below the recommended maximum surface pressure of 60 MPa the deformation at room temperature is virtually zero.

☒ Graph 5.2

▶ Surface Pressure, page 1.18

Permissible Surface Speeds

Even at higher surface speeds, the coefficients of friction for iglidur® W300 do not increase. Therefore, compared to other materials, higher surface speeds can be obtained, for example, up to 1.5 m/s rotating and up to 5 m/s linear.

The bearing wear remains low when used for long periods at high speeds, due to exceptional wear resistance.

Exceptionally high speeds can be obtained with iglidur® W300 bearings on hardened shafts with the recommended surface finish.

▶ Surface Speed, page 1.20

▶ $p \times v$ value, page 1.22

Temperatures

iglidur® W300 plain bearings show minimal reaction to environmental effects. This also applies to temperatures. iglidur® W300 bearings maintain their exceptional wear resistance even up to the highest permissible application temperatures and at the same time resist becoming brittle at low temperatures.

On the other hand, the mechanical properties at high temperatures limit the application of iglidur® W300. Even at temperatures of 80°C relaxation of the bearing can occur. In this process, the pressfit forces of the bearing decrease to a large extent due to temperature. During re-cooling and the subsequent contraction, migration of the bearing can occur. In order to avoid this situation, iglidur® W300 plain bearings always need to be axially secured in applications at 80°C and above.

☑ Graph 5.3

▶ Application Temperatures, page 1.23

Friction and Wear

The coefficients of friction for iglidur® W300 decrease with increasing load. When running dry run against steel (Cf53, hardened and ground), friction is reduced when pressure ranges from $p = 0.5$ to 3.5 Mpa by approximately 25%.

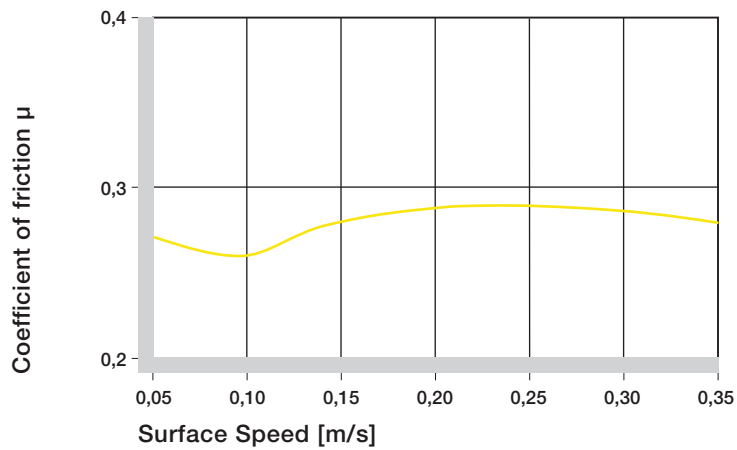
In contrast to other iglidur® materials, the coefficient of friction of iglidur® W300 remains consistently low at higher rotational speeds. Friction and wear are to a large extent also highly dependant on the shaft materials. Shafts that are too smooth increase both the coefficient of friction and the wear of the bearing. Smooth shafts have the danger of stick slip. Squeaking as an effect of stick slip is usually the result of shafts that are too smooth.

For the lowest coefficients of friction when using iglidur® W300 plain bearings, the surfaces should not be too smooth. Shaft roughnesses of 0.4 to 0.5 μm have proven to be the best (see Graph 5.6). Tests with iglidur® W300 have shown the wear resistance at this roughness is very high, while the friction reduces to the lowest value.

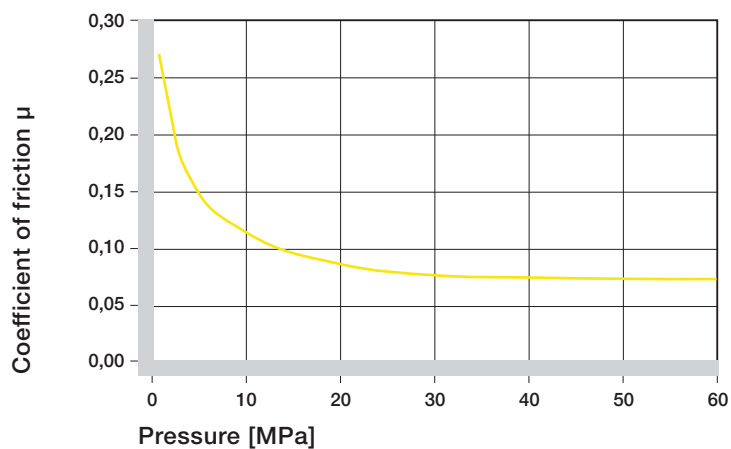
☑ Graphs 5.4 to 5.6

▶ Coefficients of Friction and Surfaces, page 1.25

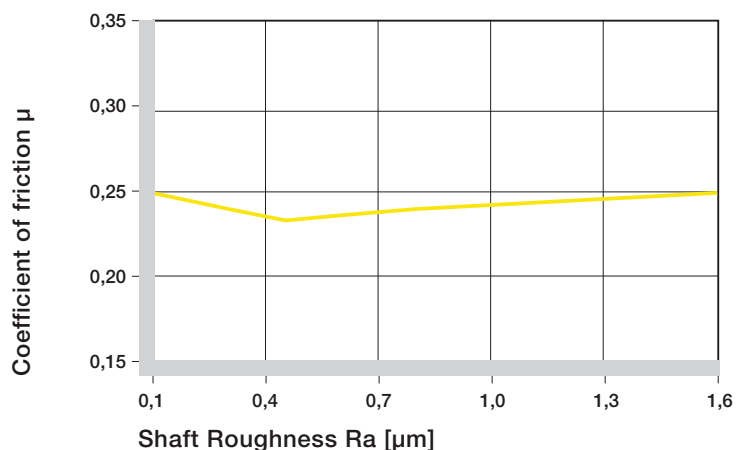
▶ Wear Resistance, page 1.26



Graph 5.4: Coefficient of friction of iglidur® W300 as a function of the surface speed, $p = 0.75$ MPa, Cf53 shaft



Graph 5.5: Coefficient of friction of iglidur® W300, as a function of the pressure, $v = 0.01$ m/s

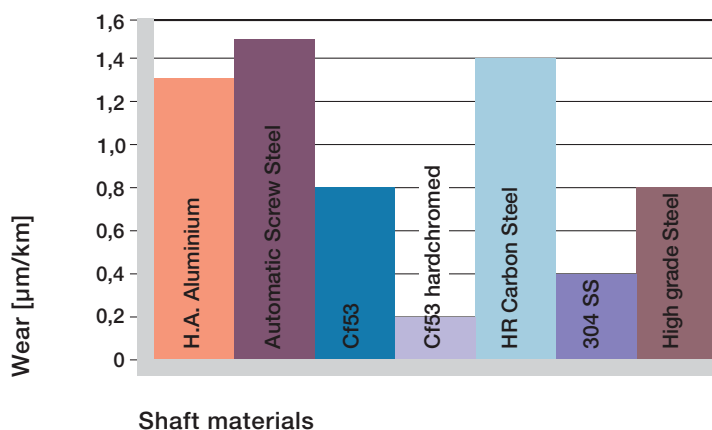


Graph 5.6: Coefficients of friction for iglidur® W300 as a function of the shaft surface (Cf53 hardened and ground steel)

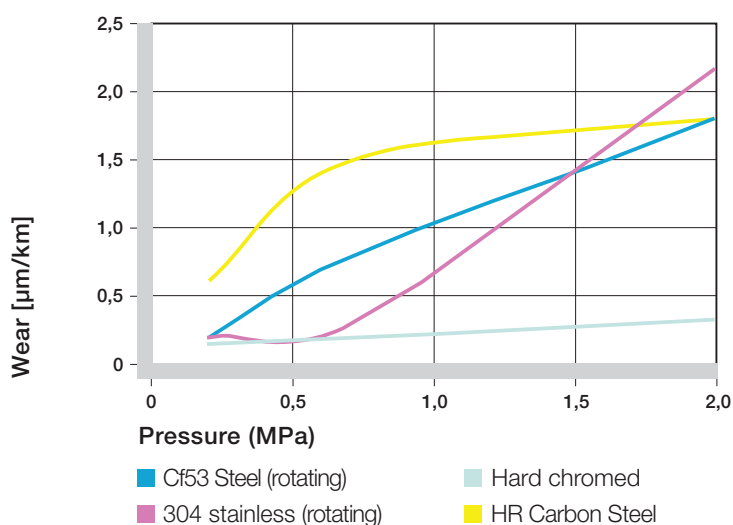
iglidur® W300

Phone +49 - 22 03 - 96 49-145
Fax +49 - 22 03 - 96 49-334

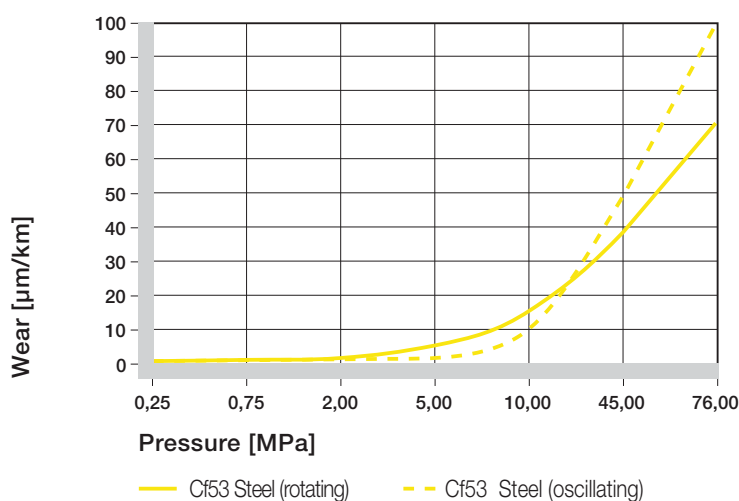
Navigation icons: Home (+), Stop (I), Information (i), and unit selection (mm, Inch).



Graph 5.7: Wear of iglidur® W300 with different shaft materials, $p = 0.75 \text{ MPa}$, $v = 0.5 \text{ m/s}$



Graph 5.8: Wear with different shaft materials in rotational operation, as a function of the pressure



Graph 5.9: Wear for oscillating and rotating applications with Cf53 hardened and ground steel shafts, as a function of the pressure

Shaft Materials

Graphs 5.7 and 5.8 show results of testing different shaft materials with iglidur® W300 plain bearings.

For rotational applications with low loads, the wear varies according to the shaft material. iglidur® W300 provides very good to acceptable coefficients of friction for all shafts that were tested. iglidur® W300 gives best results when running on hard shafts. For small radial loads with hard chromed shafts and/or shafts made of stainless steel, iglidur® W300 is the most suitable iglidur® material.

The soft shaft materials HR carbon steel and free-machining steel are not as well suited to iglidur® W300 plain bearings.

Hardened shafts are preferred for applications for higher loads. Graph 5.8 clearly shows the difference in materials for increasing loads. A similar picture emerges for oscillating applications. First, for low loads, the wear for the oscillating movement lies below that of a rotation at the same load. For higher loads, the situation changes.

If the shaft material you plan to use is not contained in this list, please contact us.

- Graphs 5.7 to 5.9
- Shaft Materials, pages 1.28

Installation Tolerances

iglidur® W300 plain bearings are meant to be oversized before pressfit. The bearings are designed for pressfit into a housing machined to a H7 tolerance. After being assembled into a nominal size housing, the inner diameter adjusts to meet our specified tolerances. Please adhere to the catalogue specifications for housing bore and recommended shaft sizes. This will help to ensure optimal performance of iglidur® plain bearings.

- Testing Methods, page 1.35

Chemical Resistance

iglidur® W300 plain bearings have a good resistance to chemicals. They are resistant to most lubricants. iglidur® W300 is not attacked by most weak organic or inorganic acids.

The moisture absorption of iglidur® W300 plain bearings is approximately 1.3% weight in the standard atmosphere. The maximum water absorption is 6.5%. This must be taken into account along with other environmental influences.

- Graph 5.10
- Chemical Table, pages 70.1

Radiation Resistance

Plain bearings made from iglidur® W300 are resistant to radiation up to an intensity of 300 Gy.

UV Resistance

iglidur® W300 plain bearings are permanently resistant to UV radiation. A slight change in colour (dark coloration) due to UV radiation and other weathering effects will not significantly influence the mechanical, electrical or thermal properties.

Vacuum

In a vacuum, iglidur® W300 plain bearings will outgas any moisture that may have been absorbed. The use of iglidur® W300 in a vacuum environment is only possible to a limited extent.

Electrical Properties

iglidur® W300 plain bearings are electrically insulating.

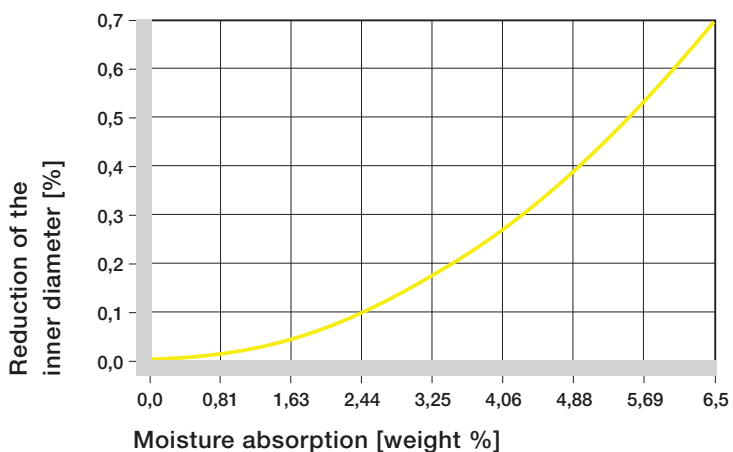
Diameter d1 [mm]	Shaft h9 [mm]	iglidur® W300 E10 [mm]	
up to 3	0-0,025	+0,014	+0,054
> 3 to 6	0-0,030	+0,020	+0,068
> 6 to 10	0-0,036	+0,025	+0,083
> 10 to 18	0-0,043	+0,032	+0,102
> 18 to 30	0-0,052	+0,040	+0,124
> 30 to 50	0-0,062	+0,050	+0,150
> 50 to 80	0-0,074	+0,060	+0,180
> 80 to 120	0-0,087	+0,072	+0,212
> 120	0-0,100	+0,085	+0,245

Table 5.5: Essential tolerances for iglidur® W300 plain bearings according to ISO 3547-1 after pressfit

Medium	Resistance
Alcohol	+ to 0
Hydrocarbons	+
Greases, oils	
without additives	+
Fuels	+
Diluted acids	0 to -
Strong acids	-
Diluted alkalines	+
Strong alkalines	0

Table 5.6: Chemical resistance of iglidur® W300 – detailed list, page 70.1

+ resistant 0 conditionally resistant - not resistant
All data given at room temperature [20°C]



Graph 5.10: Effect of moisture absorption on iglidur® W300 plain bearings

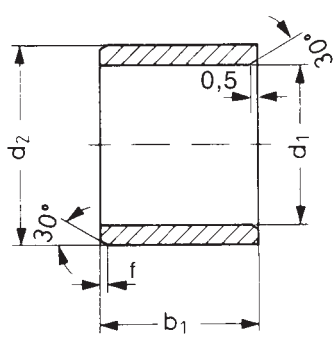
iglidur® W300	
Specific	
Volume resistance	> 10 ¹³ Ωcm
Surface resistance	> 10 ¹² Ω

Table 5.7: Electrical properties of iglidur® W300

iglidur® W300

Phone +49 - 22 03 - 96 49-145
Fax +49 - 22 03 - 96 49-334

Navigation icons: Plus (+), Information (i), Millimeter (mm), and Inch.



Data in mm
Structure – part no.
WS M-0203-03

- b1
- d2
- d1
- Metric
- Type
- Material

mm
 iglidur® W300 – Type S

Phone +49 - 22 03 - 96 49-145
 Fax +49 - 22 03 - 96 49-334

igus® GmbH
 51147 Cologne

Internet www.igus.de
 E-mail info@igus.de

Dimensions according to ISO 3547-1
 and special dimensions

Chamfer in relation to the d1

d1 [mm]:	Ø 1-6	Ø 6-12	Ø 12-30	Ø > 30
f [mm]:	0,3	0,5	0,8	1,2

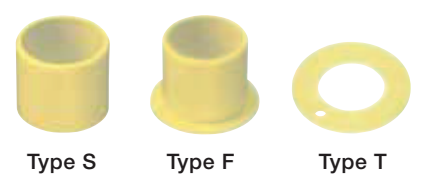
Part Number	d1	d1 Tolerance*	d2	b1	h13
WSM-0203-03	2,0	+0,014 +0,054	3,5	3,0	
WSM-0204-03	2,5	+0,014 +0,054	4,0	3,0	
WSM-0304-03	3,0	+0,014 +0,054	4,5	3,0	
WSM-0304-05	3,0	+0,014 +0,054	4,5	5,0	
WSM-0304-06	3,0	+0,014 +0,054	4,5	6,0	
WSM-0405-04	4,0	+0,020 +0,068	5,5	4,0	
WSM-0405-06	4,0	+0,020 +0,068	5,5	6,0	
WSM-0405-08	4,0	+0,020 +0,068	5,5	8,0	
WSM-0405-10	4,0	+0,020 +0,068	5,5	10,0	
WSM-0507-05	5,0	+0,020 +0,068	7,0	5,0	
WSM-0507-08	5,0	+0,020 +0,068	7,0	8,0	
WSM-0507-10	5,0	+0,020 +0,068	7,0	10,0	
WSM-0608-06	6,0	+0,020 +0,068	8,0	6,0	
WSM-0608-08	6,0	+0,020 +0,068	8,0	8,0	
WSM-0608-09	6,0	+0,020 +0,068	8,0	9,5	
WSM-0608-10	6,0	+0,020 +0,068	8,0	10,0	
WSM-0608-11	6,0	+0,020 +0,068	8,0	11,8	
WSM-0608-13	6,0	+0,020 +0,068	8,0	13,8	
WSM-0709-09	7,0	+0,025 +0,083	9,0	9,0	
WSM-0709-12	7,0	+0,025 +0,083	9,0	12,0	
WSM-0709-125	7,0	+0,025 +0,083	9,0	12,5	
WSM-0810-06	8,0	+0,025 +0,083	10,0	6,0	
WSM-0810-08	8,0	+0,025 +0,083	10,0	8,0	
WSM-0810-10	8,0	+0,025 +0,083	10,0	10,0	
WSM-0810-12	8,0	+0,025 +0,083	10,0	12,0	
WSM-0810-13	8,0	+0,025 +0,083	10,0	13,8	
WSM-0810-15	8,0	+0,025 +0,083	10,0	15,0	
WSM-0810-16	8,0	+0,025 +0,083	10,0	16,0	
WSM-0810-20	8,0	+0,025 +0,083	10,0	20,0	
WSM-0810-21	8,0	+0,025 +0,083	10,0	21,0	
WSM-0911-06	9,0	+0,025 +0,083	11,0	6,0	
WSM-1012-04	10,0	+0,025 +0,083	12,0	4,0	
WSM-1012-06	10,0	+0,025 +0,083	12,0	6,0	
WSM-1012-08	10,0	+0,025 +0,083	12,0	8,0	
WSM-1012-09	10,0	+0,025 +0,083	12,0	9,0	
WSM-1012-10	10,0	+0,025 +0,083	12,0	10,0	
WSM-1012-12	10,0	+0,025 +0,083	12,0	12,0	
WSM-1012-15	10,0	+0,025 +0,083	12,0	15,0	
WSM-1012-17	10,0	+0,025 +0,083	12,0	17,0	
WSM-1012-20	10,0	+0,025 +0,083	12,0	20,0	
WSM-1012-25.5	10,0	+0,025 +0,083	12,0	25,5	
WSM-1113-08	11,0	+0,032 +0,102	13,0	8,0	
WSM-1214-04	12,0	+0,032 +0,102	14,0	4,0	
WSM-1214-05	12,0	+0,032 +0,102	14,0	5,0	
WSM-1214-06	12,0	+0,032 +0,102	14,0	6,0	
WSM-1214-08	12,0	+0,032 +0,102	14,0	8,0	
WSM-1214-10	12,0	+0,032 +0,102	14,0	10,0	
WSM-1214-12	12,0	+0,032 +0,102	14,0	12,0	
WSM-1214-15	12,0	+0,032 +0,102	14,0	15,0	
WSM-1214-20	12,0	+0,032 +0,102	14,0	20,0	
WSM-1214-25	12,0	+0,032 +0,102	14,0	25,0	
WSM-1315-07	13,0	+0,032 +0,102	15,0	7,0	
WSM-1315-10	13,0	+0,032 +0,102	15,0	10,0	
WSM-1315-15	13,0	+0,032 +0,102	15,0	15,0	
WSM-1315-20	13,0	+0,032 +0,102	15,0	20,0	
WSM-1416-07	14,0	+0,032 +0,102	16,0	7,25	
WSM-1416-10	14,0	+0,032 +0,102	16,0	10,0	
WSM-1416-15	14,0	+0,032 +0,102	16,0	15,0	
WSM-1416-20	14,0	+0,032 +0,102	16,0	20,0	
WSM-1416-25	14,0	+0,032 +0,102	16,0	25,0	
WSM-1416-33	14,0	+0,032 +0,102	16,0	33,0	
WSM-1517-10	15,0	+0,032 +0,102	17,0	10,0	
WSM-1517-15	15,0	+0,032 +0,102	17,0	15,0	
WSM-1517-20	15,0	+0,032 +0,102	17,0	20,0	
WSM-1517-25	15,0	+0,032 +0,102	17,0	25,0	

*after pressfit. Testing methods ► page 1.35

Order example

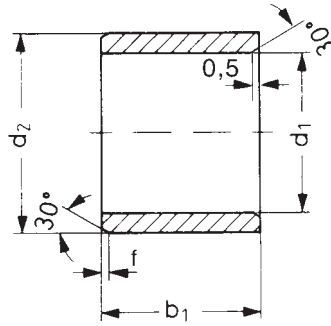
Our price breaks are defined by the order quantity.

1- 9	25-49	100-199	500- 999	2500-4999
10-24	50-99	200-499	1000-2499	



For the current prices please visit the igus®-Homepage www.igus.de/en
No minimum order quantities!

No surcharges!



Data in mm

Structure – part no.
WS M-1618-07



Dimensions according to ISO 3547-1 and special dimensions

Chamfer in relation to the d1

d1 [mm]:	Ø 1-6	Ø 6-12	Ø 12-30	Ø > 30
f [mm]:	0,3	0,5	0,8	1,2

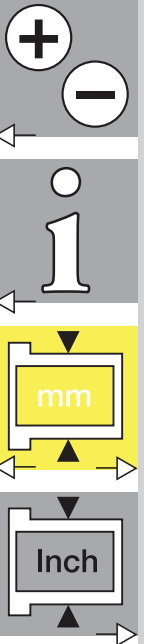
Part Number	d1	d1 Tolerance*	d2	b1
				h13
WSM-1618-07	16,0	+0,032 +0,102	18,0	7,0
WSM-1618-08	16,0	+0,032 +0,102	18,0	8,0
WSM-1618-11	16,0	+0,032 +0,102	18,0	11,5
WSM-1618-12	16,0	+0,032 +0,102	18,0	12,0
WSM-1618-15	16,0	+0,032 +0,102	18,0	15,0
WSM-1618-20	16,0	+0,032 +0,102	18,0	20,0
WSM-1618-25	16,0	+0,032 +0,102	18,0	25,0
WSM-1820-12	18,0	+0,032 +0,102	20,0	12,0
WSM-1820-15	18,0	+0,032 +0,102	20,0	15,0
WSM-1820-20	18,0	+0,032 +0,102	20,0	20,0
WSM-1820-25	18,0	+0,032 +0,102	20,0	25,0
WSM-1820-33	18,0	+0,032 +0,102	20,0	33,0
WSM-1820-35	18,0	+0,032 +0,102	20,0	35,0
WSM-1922-28	19,0	+0,040 +0,124	22,0	28,0
WSM-2022-11	20,0	+0,040 +0,124	22,0	11,5
WSM-2022-12	20,0	+0,040 +0,124	22,0	12,0
WSM-2022-15	20,0	+0,040 +0,124	22,0	15,0
WSM-2022-20	20,0	+0,040 +0,124	22,0	20,0
WSM-2022-30	20,0	+0,040 +0,124	22,0	30,0
WSM-2023-08	20,0	+0,040 +0,124	23,0	8,0
WSM-2023-12	20,0	+0,040 +0,124	23,0	12,0
WSM-2023-15	20,0	+0,040 +0,124	23,0	15,0
WSM-2023-20	20,0	+0,040 +0,124	23,0	20,0
WSM-2023-23	20,0	+0,040 +0,124	23,0	23,0
WSM-2023-25	20,0	+0,040 +0,124	23,0	25,0
WSM-2023-30	20,0	+0,040 +0,124	23,0	30,0
WSM-2224-15	22,0	+0,040 +0,124	24,0	15,0
WSM-2224-20	22,0	+0,040 +0,124	24,0	20,0
WSM-2224-30	22,0	+0,040 +0,124	24,0	30,0
WSM-2224-35	22,0	+0,040 +0,124	24,0	35,0
WSM-2225-15	22,0	+0,040 +0,124	25,0	15,0
WSM-2225-20	22,0	+0,040 +0,124	25,0	20,0
WSM-2225-25	22,0	+0,040 +0,124	25,0	25,0
WSM-2225-30	22,0	+0,040 +0,124	25,0	30,0
WSM-2427-15	24,0	+0,040 +0,124	27,0	15,0
WSM-2427-20	24,0	+0,040 +0,124	27,0	20,0
WSM-2427-25	24,0	+0,040 +0,124	27,0	25,0
WSM-2427-30	24,0	+0,040 +0,124	27,0	30,0
WSM-2528-12	25,0	+0,040 +0,124	28,0	12,0
WSM-2528-14	25,0	+0,040 +0,124	28,0	14,0
WSM-2528-15	25,0	+0,040 +0,124	28,0	15,0
WSM-2528-20	25,0	+0,040 +0,124	28,0	20,0
WSM-2528-25	25,0	+0,040 +0,124	28,0	25,0
WSM-2528-30	25,0	+0,040 +0,124	28,0	30,0

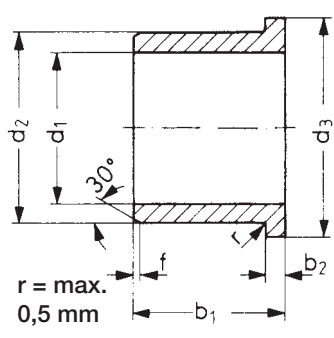
Part Number	d1	d1 Tolerance*	d2	b1
				h13
WSM-2630-16	26,0	+0,040 +0,124	30,0	16,0
WSM-2630-25	26,0	+0,040 +0,124	30,0	25,0
WSM-2830-10	28,0	+0,040 +0,124	30,0	10,0
WSM-2831-10	28,0	+0,040 +0,124	31,0	10,0
WSM-2832-20	28,0	+0,040 +0,124	32,0	20,0
WSM-2832-25	28,0	+0,040 +0,124	32,0	25,0
WSM-2832-30	28,0	+0,040 +0,124	32,0	30,0
WSM-3034-16	30,0	+0,040 +0,124	34,0	16,0
WSM-3034-20	30,0	+0,040 +0,124	34,0	20,0
WSM-3034-24	30,0	+0,040 +0,124	34,0	24,0
WSM-3034-25	30,0	+0,040 +0,124	34,0	25,0
WSM-3034-30	30,0	+0,040 +0,124	34,0	30,0
WSM-3034-36	30,0	+0,040 +0,124	34,0	36,0
WSM-3034-38	30,0	+0,040 +0,124	34,0	38,0
WSM-3034-40	30,0	+0,040 +0,124	34,0	40,0
WSM-3034-45	30,0	+0,040 +0,124	34,0	45,0
WSM-3236-20	32,0	+0,050 +0,150	36,0	20,0
WSM-3236-25	32,0	+0,050 +0,150	36,0	25,0
WSM-3236-30	32,0	+0,050 +0,150	36,0	30,0
WSM-3236-40	32,0	+0,050 +0,150	36,0	40,0
WSM-3539-20	35,0	+0,050 +0,150	39,0	20,0
WSM-3539-30	35,0	+0,050 +0,150	39,0	30,0
WSM-3539-40	35,0	+0,050 +0,150	39,0	40,0
WSM-3539-50	35,0	+0,050 +0,150	39,0	50,0
WSM-3540-07	35,0	+0,050 +0,150	40,0	7,0
WSM-4044-20	40,0	+0,050 +0,150	44,0	20,0
WSM-4044-30	40,0	+0,050 +0,150	44,0	30,0
WSM-4044-40	40,0	+0,050 +0,150	44,0	40,0
WSM-4044-50	40,0	+0,050 +0,150	44,0	50,0
WSM-4550-30	45,0	+0,050 +0,150	50,0	30,0
WSM-4550-50	45,0	+0,050 +0,150	50,0	50,0
WSM-5055-20	50,0	+0,050 +0,150	55,0	20,0
WSM-5055-30	50,0	+0,050 +0,150	55,0	30,0
WSM-5055-40	50,0	+0,050 +0,150	55,0	40,0
WSM-5055-50	50,0	+0,050 +0,150	55,0	50,0
WSM-5560-40	55,0	+0,060 +0,180	60,0	40,0
WSM-5560-60	55,0	+0,060 +0,180	60,0	60,0
WSM-6065-30	60,0	+0,060 +0,180	65,0	30,0
WSM-6065-60	60,0	+0,060 +0,180	65,0	60,0
WSM-6570-60	65,0	+0,060 +0,180	70,0	60,0
WSM-7075-60	70,0	+0,060 +0,180	75,0	60,0
WSM-8085-100	80,0	+0,060 +0,180	85,0	100,0
WSM-9095-100	90,0	+0,072 +0,212	95,0	100,0
WSM-100105-100	100,0	+0,072 +0,212	105,0	100,0

iglidur® W300 – Type S

mm

Phone +49 - 22 03 - 96 49-145
Fax +49 - 22 03 - 96 49-334





Data in mm
Structure – part no.
WF M-0304-03

- b1
- d2
- d1
- Metric
- Type
- Material

mm

iglidur® W300 – Type F

Phone +49 - 22 03 - 96 49-145
 Fax +49 - 22 03 - 96 49-334

igus® GmbH
 51147 Cologne

Internet www.igus.de
 E-mail info@igus.de

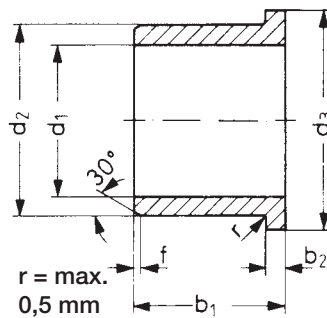
Dimensions according to ISO 3547-1 and special dimensions

Chamfer in relation to the d1

d1 [mm]:	Ø 1-6	Ø 6-12	Ø 12-30	Ø > 30
f [mm]:	0,3	0,5	0,8	1,2

Part Number	d1	d1 Tolerance*	d2	d3	b1	b2
WFM-0304-03	3,0	+0,014 +0,054	4,5	7,5	3,0	0,75
WFM-0304-05	3,0	+0,014 +0,054	4,5	7,5	5,0	0,75
WFM-0405-03	4,0	+0,020 +0,068	5,5	9,5	3,0	0,75
WFM-0405-04	4,0	+0,020 +0,068	5,5	9,5	4,0	0,75
WFM-0405-06	4,0	+0,020 +0,068	5,5	9,5	6,0	0,75
WFM-0506-08	5,0	+0,010 +0,040	6,0	10,0	8,0	0,50
WFM-0507-04	5,0	+0,020 +0,068	7,0	11,0	4,0	1,00
WFM-0507-05	5,0	+0,020 +0,068	7,0	11,0	5,0	1,00
WFM-0608-04	6,0	+0,020 +0,068	8,0	12,0	4,0	1,00
WFM-0608-06	6,0	+0,020 +0,068	8,0	12,0	6,0	1,00
WFM-0608-08	6,0	+0,020 +0,068	8,0	12,0	8,0	1,00
WFM-0608-10	6,0	+0,020 +0,068	8,0	12,0	10,0	1,00
WFM-0608-15	6,0	+0,020 +0,068	8,0	12,0	15,0	1,00
WFM-0709-12	7,0	+0,025 +0,083	9,0	15,0	12,0	1,00
WFM-0810-02	8,0	+0,025 +0,083	10,0	15,0	2,7	1,00
WFM-0810-05	8,0	+0,025 +0,083	10,0	15,0	5,5	1,00
WFM-0810-07	8,0	+0,025 +0,083	10,0	15,0	7,5	1,00
WFM-0810-09	8,0	+0,025 +0,083	10,0	15,0	9,5	1,00
WFM-0810-10	8,0	+0,025 +0,083	10,0	15,0	10,0	1,00
WFM-0810-23	8,0	+0,025 +0,083	10,0	15,0	23,0	1,00
WFM-0810-30	8,0	+0,025 +0,083	10,0	15,0	30,0	1,00
WFM-081015-05	8,0	+0,025 +0,083	10,0	15,0	5,0	1,00
WFM-1012-04	10,0	+0,025 +0,083	12,0	18,0	4,0	1,00
WFM-1012-05	10,0	+0,025 +0,083	12,0	18,0	5,0	1,00
WFM-1012-06	10,0	+0,025 +0,083	12,0	18,0	6,0	1,00
WFM-1012-07	10,0	+0,025 +0,083	12,0	18,0	7,0	1,00
WFM-1012-09	10,0	+0,025 +0,083	12,0	18,0	9,0	1,00
WFM-1012-10	10,0	+0,025 +0,083	12,0	18,0	10,0	1,00
WFM-1012-12	10,0	+0,025 +0,083	12,0	18,0	12,0	1,00
WFM-1012-15	10,0	+0,025 +0,083	12,0	18,0	15,0	1,00
WFM-1012-17	10,0	+0,025 +0,083	12,0	18,0	17,0	1,00
WFM-1214-04	12,0	+0,032 +0,102	14,0	20,0	4,0	1,00
WFM-1214-044	12,0	+0,032 +0,102	14,0	20,0	4,4	1,00
WFM-1214-06	12,0	+0,032 +0,102	14,0	20,0	6,0	1,00
WFM-1214-07	12,0	+0,032 +0,102	14,0	20,0	7,0	1,00
WFM-1214-09	12,0	+0,032 +0,102	14,0	20,0	9,0	1,00
WFM-1214-10	12,0	+0,032 +0,102	14,0	20,0	10,0	1,00
WFM-1214-11	12,0	+0,032 +0,102	14,0	20,0	11,0	1,00

* after pressfit. Testing methods ► page 1.35



Data in mm

Structure – part no.
WF M-1214-12



- b1
- d2
- d1
- Metric
- Type
- Material

Dimensions according to ISO 3547-1 and special dimensions

Chamfer in relation to the d1

d1 [mm]:	Ø 1-6	Ø 6-12	Ø 12-30	Ø > 30
f [mm]:	0,3	0,5	0,8	1,2

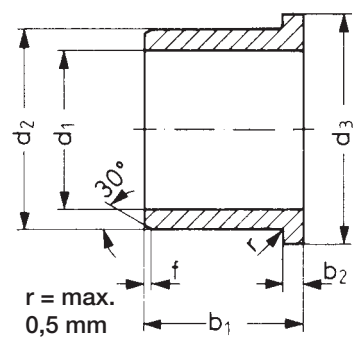
Part Number	d1	d1 Tolerance*	d2	d3	b1	b2
WFM-1214-12	12,0	+0,032 +0,102	14,0	20,0	12,0	1,00
WFM-1214-15	12,0	+0,032 +0,102	14,0	20,0	15,0	1,00
WFM-1214-17	12,0	+0,032 +0,102	14,0	20,0	17,0	1,00
WFM-1214-20	12,0	+0,032 +0,102	14,0	20,0	20,0	1,00
WFM-1315-06	13,0	+0,032 +0,102	15,0	22,0	6,0	1,00
WFM-1416-04	14,0	+0,032 +0,102	16,0	22,0	4,0	1,00
WFM-1416-05	14,0	+0,032 +0,102	16,0	22,0	5,0	1,00
WFM-1416-08	14,0	+0,032 +0,102	16,0	22,0	8,0	1,00
WFM-1416-12	14,0	+0,032 +0,102	16,0	22,0	12,0	1,00
WFM-1416-17	14,0	+0,032 +0,102	16,0	22,0	17,0	1,00
WFM-1416-29	14,0	+0,032 +0,102	16,0	22,0	29,0	1,00
WFM-1517-09	15,0	+0,032 +0,102	17,0	23,0	9,0	1,00
WFM-1517-12	15,0	+0,032 +0,102	17,0	23,0	12,0	1,00
WFM-1517-17	15,0	+0,032 +0,102	17,0	23,0	17,0	1,00
WFM-1517-20	15,0	+0,032 +0,102	17,0	23,0	20,0	1,00
WFM-1618-09	16,0	+0,032 +0,102	18,0	24,0	9,0	1,00
WFM-1618-12	16,0	+0,032 +0,102	18,0	24,0	12,0	1,00
WFM-1618-17	16,0	+0,032 +0,102	18,0	24,0	17,0	1,00
WFM-1719-12	17,0	+0,032 +0,102	19,0	25,0	12,0	1,00
WFM-1719-18	17,0	+0,032 +0,102	19,0	25,0	18,0	1,00
WFM-1719-25	17,0	+0,032 +0,102	19,0	25,0	25,0	1,00
WFM-1820-12	18,0	+0,032 +0,102	20,0	26,0	12,0	1,00
WFM-1820-17	18,0	+0,032 +0,102	20,0	26,0	17,0	1,00
WFM-1820-22	18,0	+0,032 +0,102	20,0	26,0	22,0	1,00
WFM-2023-11	20,0	+0,040 +0,124	23,0	30,0	11,5	1,50
WFM-2023-14	20,0	+0,040 +0,124	23,0	30,0	14,0	1,50
WFM-2023-16	20,0	+0,040 +0,124	23,0	30,0	16,5	1,50
WFM-2023-21	20,0	+0,040 +0,124	23,0	30,0	21,5	1,50
WFM-2427-10	24,0	+0,040 +0,124	27,0	32,0	10,0	1,50
WFM-2528-11	25,0	+0,040 +0,124	28,0	35,0	11,0	1,50
WFM-2528-16	25,0	+0,040 +0,124	28,0	35,0	16,0	1,50
WFM-2528-21	25,0	+0,040 +0,124	28,0	35,0	21,0	1,50
WFM-2528-30	25,0	+0,040 +0,124	28,0	32,0	30,0	1,50
WFM-252831-13	25,0	+0,040 +0,124	28,0	31,0	13,0	1,50
WFM-2830-36	28,0	+0,040 +0,124	30,0	35,0	36,0	1,00
WFM-3034-10	30,0	+0,040 +0,124	34,0	42,0	10,0	2,00
WFM-3034-16	30,0	+0,040 +0,124	34,0	42,0	16,0	2,00
WFM-3034-26	30,0	+0,040 +0,124	34,0	42,0	26,0	2,00

* after pressfit. Testing methods ► page 1.35

iglidur® W300 – Type F
mm

Phone +49 - 22 03 - 96 49-145
Fax +49 - 22 03 - 96 49-334

Navigation icons: Home, Search, Information, Unit Selection (mm, Inch), Back, Forward.



Data in mm
Structure – part no.
WF M-3034-37

- b1
- d2
- d1
- Metric
- Type
- Material

Chamfer in relation to the d1

d1 [mm]:	Ø 1-6	Ø 6-12	Ø 12-30	Ø > 30
f [mm]:	0,3	0,5	0,8	1,2

Dimensions according to ISO 3547-1 and special dimensions

Part Number	d1	d1 Tolerance*	d2	d3	b1	b2
WFM-3034-37	30,0	+0,040 +0,124	34,0	42,0	37,0	2,00
WFM-3236-16	32,0	+0,050 +0,150	36,0	40,0	16,0	2,00
WFM-3236-26	32,0	+0,050 +0,150	36,0	40,0	26,0	2,00
WFM-3539-16	35,0	+0,050 +0,150	39,0	47,0	16,0	2,00
WFM-3539-26	35,0	+0,050 +0,150	39,0	47,0	26,0	2,00
WFM-353950-35	35,0	+0,050 +0,150	39,0	50,0	35,0	2,00
WFM-3842-22	38,0	+0,050 +0,150	42,0	50,0	22,0	2,00
WFM-4044-30	40,0	+0,050 +0,150	44,0	52,0	30,0	2,00
WFM-4044-40	40,0	+0,050 +0,150	44,0	52,0	40,0	2,00
WFM-4550-50	45,0	+0,050 +0,150	50,0	58,0	50,0	2,00
WFM-5055-40	50,0	+0,050 +0,150	55,0	63,0	40,0	2,00
WFM-5055-50	50,0	+0,050 +0,150	55,0	63,0	50,0	2,00
WFM-5560-60	55,0	+0,060 +0,180	60,0	68,0	60,0	2,00
WFM-5762-40	57,0	+0,060 +0,180	62,0	67,0	40,0	2,00
WFM-6065-60	60,0	+0,060 +0,180	65,0	73,0	60,0	2,00
WFM-6570-60	65,0	+0,060 +0,180	70,0	78,0	60,0	2,00
WFM-7075-100	70,0	+0,060 +0,180	75,0	83,0	100,0	2,50
WFM-7580-100	75,0	+0,060 +0,180	80,0	88,0	100,0	2,50
WFM-8085-100	80,0	+0,060 +0,180	85,0	93,0	100,0	2,50
WFM-9095-100	90,0	+0,072 +0,212	95,0	103,0	100,0	2,50
WFM-100105-100	100,0	+0,072 +0,212	105,0	113,0	100,0	2,50
WFM-120125-100	120,0	+0,072 +0,212	125,0	133,0	100,0	2,50

* after pressfit. Testing methods ► page 1.35



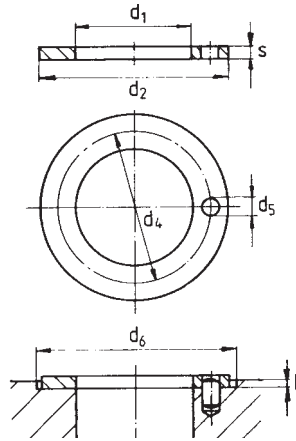
iglidur® W300 gives the important advantage of weight reduction, crucial in motorsport. Also, the bearings require no maintenance and run dry.

Lifetime calculation, CAD files and much more support ► www.igus.de/en/w300

Phone +49 - 22 03 - 96 49-145
 Fax +49 - 22 03 - 96 49-334

igus® GmbH
 51147 Cologne

Internet www.igus.de
 E-mail info@igus.de



Data in mm

Structure – part no.
W T M-0509-006



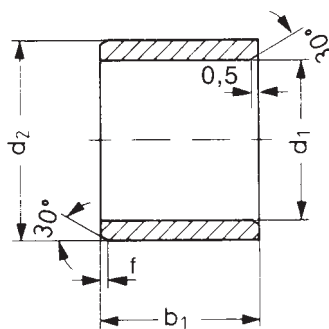
Dimensions according to ISO 3547-1 and special dimensions

Part Number	d1 +0,25	d2 -0,25	s -0,05	d4 -0,12 +0,12	d5 +0,375 +0,125	h +0,2 -0,2	d6 +0,12
WTM-0509-006	5,0	9,5	0,6	**	**	0,3	9,5
WTM-0620-015	6,0	20,0	1,5	13,0	1,5	1,0	20,0
WTM-0818-015	8,0	18,0	1,5	13,0	1,5	1,0	18,0
WTM-1018-010	10,0	18,0	1,0	**	**	0,7	18,0
WTM-1018-015	10,0	18,0	1,5	**	**	1,0	18,0
WTM-1224-015	12,0	24,0	1,5	18,0	1,5	1,0	24,0
WTM-1426-015	14,0	26,0	1,5	20,0	2,0	1,0	26,0
WTM-1524-015	15,0	24,0	1,5	19,5	1,5	1,0	24,0
WTM-1630-015	16,0	30,0	1,5	23,0	2,0	1,0	30,0
WTM-1832-015	18,0	32,0	1,5	25,0	2,0	1,0	32,0
WTM-2036-015	20,0	36,0	1,5	28,0	3,0	1,0	36,0
WTM-2238-015	22,0	38,0	1,5	30,0	3,0	1,0	38,0
WTM-2442-015	24,0	42,0	1,5	33,0	3,0	1,0	42,0
WTM-2644-015	26,0	44,0	1,5	35,0	3,0	1,0	44,0
WTM-2848-015	28,0	48,0	1,5	38,0	4,0	1,0	48,0
WTM-3254-015	32,0	54,0	1,5	43,0	4,0	1,0	54,0
WTM-3862-015	38,0	62,0	1,5	50,0	4,0	1,0	62,0
WTM-4266-015	42,0	66,0	1,5	54,0	4,0	1,0	66,0
WTM-4874-020	48,0	74,0	2,0	61,0	4,0	1,5	74,0
WTM-5278-020	52,0	78,0	2,0	65,0	4,0	1,5	78,0
WTM-6290-020	62,0	90,0	2,0	76,0	4,0	1,5	90,0
WTM-82110-020	82,0	110,0	2,0	**	**	1,5	110,0
WTM-102130-020	102,0	130,0	2,0	**	**	1,5	130,0
WTM-120150-020	120,0	150,0	2,0	**	**	1,5	150,0

** Design without fixing bore

iglidur® W300 – Type T
mm

Phone +49 - 22 03 - 96 49-145
Fax +49 - 22 03 - 96 49-334



Data in inches

Structure – part no.
W S I -0203-03

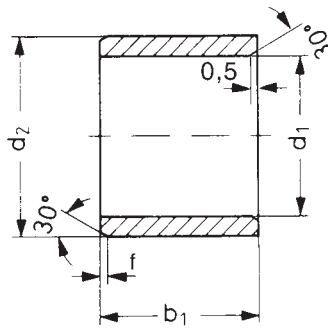


Chamfer in relation to the d1

d1 [mm]:	Ø 1-6	Ø 6-12	Ø 12-30	Ø > 30
f [mm]:	0,3	0,5	0,8	1,2

Part Number	d1	d2	b1	d1*		Housing Bore		Shaft Size	
				max.	min.	max.	min.	max.	min.
WSI-0203-03	1/8	3/16	3/16	,1269	,1251	,1878	,1873	,1243	,1236
WSI-0203-04	1/8	3/16	1/4	,1269	,1251	,1878	,1873	,1243	,1236
WSI-0203-06	1/8	3/16	3/8	,1269	,1251	,1878	,1873	,1243	,1236
WSI-0304-04	3/16	1/4	1/4	,1892	,1873	,2503	,2497	,1865	,1858
WSI-0304-06	3/16	1/4	3/8	,1892	,1873	,2503	,2497	,1865	,1858
WSI-0304-08	3/16	1/4	1/2	,1892	,1873	,2503	,2497	,1865	,1858
WSI-0405-03	1/4	5/16	3/16	,2521	,2498	,3128	,3122	,2490	,2481
WSI-0405-04	1/4	5/16	1/4	,2521	,2498	,3128	,3122	,2490	,2481
WSI-0405-05	1/4	5/16	5/16	,2521	,2498	,3128	,3122	,2490	,2481
WSI-0405-06	1/4	5/16	3/8	,2521	,2498	,3128	,3122	,2490	,2481
WSI-0405-08	1/4	5/16	1/2	,2521	,2498	,3128	,3122	,2490	,2481
WSI-0506-04	5/16	3/8	1/4	,3148	,3125	,3753	,3747	,3115	,3106
WSI-0506-06	5/16	3/8	3/8	,3148	,3125	,3753	,3747	,3115	,3106
WSI-0506-08	5/16	3/8	1/2	,3148	,3125	,3753	,3747	,3115	,3106
WSI-0506-12	5/16	3/8	3/4	,3148	,3125	,3753	,3747	,3115	,3106
WSI-0607-04	3/8	15/32	1/4	,3773	,3750	,4691	,4684	,3740	,3731
WSI-0607-06	3/8	15/32	3/8	,3773	,3750	,4691	,4684	,3740	,3731
WSI-0607-07	3/8	15/32	7/16	,3773	,3750	,4691	,4684	,3740	,3731
WSI-0607-08	3/8	15/32	1/2	,3773	,3750	,4691	,4684	,3740	,3731
WSI-0607-12	3/8	15/32	3/4	,3773	,3750	,4691	,4684	,3740	,3731
WSI-0608-12	3/8	17/32	3/4	,3773	,3750	,5316	,5309	,3740	,3731
WSI-0708-04	7/16	17/32	1/4	,4406	,4379	,5316	,5309	,4365	,4355
WSI-0708-08	7/16	17/32	1/2	,4406	,4379	,5316	,5309	,4365	,4355
WSI-0809-03	1/2	19/32	3/16	,5030	,5003	,5941	,5934	,4990	,4980
WSI-0809-04	1/2	19/32	1/4	,5030	,5003	,5941	,5934	,4990	,4980
WSI-0809-06	1/2	19/32	3/8	,5030	,5003	,5941	,5934	,4990	,4980
WSI-0809-08	1/2	19/32	1/2	,5030	,5003	,5941	,5934	,4990	,4980
WSI-0809-10	1/2	19/32	5/8	,5030	,5003	,5941	,5934	,4990	,4980
WSI-0809-12	1/2	19/32	3/4	,5030	,5003	,5941	,5934	,4990	,4980
WSI-0809-16	1/2	19/32	1	,5030	,5003	,5941	,5934	,4990	,4980
WSI-0810-08	1/2	5/8	1/2	,5040	,5013	,6260	,6250	,5000	,4990
WSI-0810-10	1/2	5/8	5/8	,5040	,5013	,6260	,6250	,5000	,4990
WSI-0810-12	1/2	5/8	3/4	,5040	,5013	,6260	,6250	,5000	,4990
WSI-0810-16	1/2	5/8	1	,5040	,5013	,6260	,6250	,5000	,4990
WSI-0910-08	9/16	5/8	1/2	,5655	,5627	,6566	,6559	,5615	,5605
WSI-0910-12	9/16	5/8	3/4	,5655	,5627	,6566	,6559	,5615	,5605
WSI-1011-04	5/8	23/32	1/4	,6280	,6253	,7192	,7184	,6240	,6230
WSI-1011-06	5/8	23/32	3/8	,6280	,6253	,7192	,7184	,6240	,6230

* after pressfit. Testing methods ► page 1.35



Data in inches

Structure – part no.
WS I-1011-08

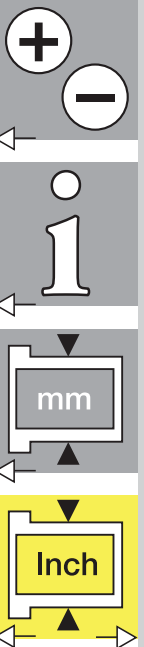


Chamfer in relation to the d1

d1 [mm]:	Ø 1-6	Ø 6-12	Ø 12-30	Ø > 30
f [mm]:	0,3	0,5	0,8	1,2

Part Number	d1	d2	b1	d1*		Housing Bore		Shaft Size	
				max.	min.	max.	min.	max.	min.
WSI-1011-08	5/8	23/32	1/2	,6280	,6253	,7192	,7184	,6240	,6230
WSI-1011-10	5/8	23/32	5/8	,6280	,6253	,7192	,7184	,6240	,6230
WSI-1011-12	5/8	23/32	3/4	,6280	,6253	,7192	,7184	,6240	,6230
WSI-1011-16	5/8	23/32	1	,6280	,6253	,7192	,7184	,6240	,6230
WSI-1112-12	11/16	25/32	3/4	,6906	,6879	,7817	,7809	,6865	,6855
WSI-1214-08	3/4	7/8	1/2	,7541	,7507	,8755	,8747	,7491	,7479
WSI-1214-12	3/4	7/8	3/4	,7541	,7507	,8755	,8747	,7491	,7479
WSI-1214-16	3/4	7/8	1	,7541	,7507	,8755	,8747	,7491	,7479
WSI-1214-24	3/4	7/8	1 1/2	,7541	,7507	,8755	,8747	,7491	,7479
WSI-1416-04	7/8	1	1/4	,8791	,8757	1,0005	,9997	,8741	,8729
WSI-1416-06	7/8	1	3/8	,8791	,8757	1,0005	,9997	,8741	,8729
WSI-1416-08	7/8	1	1/2	,8791	,8757	1,0005	,9997	,8741	,8729
WSI-1416-10	7/8	1	5/8	,8791	,8757	1,0005	,9997	,8741	,8729
WSI-1416-12	7/8	1	3/4	,8791	,8757	1,0005	,9997	,8741	,8729
WSI-1416-16	7/8	1	1	,8791	,8757	1,0005	,9997	,8741	,8729
WSI-1416-24	7/8	1	1 1/2	,8791	,8757	1,0005	,9997	,8741	,8729
WSI-1618-06	1	1 1/8	3/8	1,0041	1,0007	1,1255	1,1247	,9991	,9979
WSI-1618-08	1	1 1/8	1/2	1,0041	1,0007	1,1255	1,1247	,9991	,9979
WSI-1618-12	1	1 1/8	3/4	1,0041	1,0007	1,1255	1,1247	,9991	,9979
WSI-1618-16	1	1 1/8	1	1,0041	1,0007	1,1255	1,1247	,9991	,9979
WSI-1618-20	1	1 1/8	1 5/16	1,0041	1,0007	1,1255	1,1247	,9991	,9979
WSI-1618-22	1	1 1/8	1 3/8	1,0041	1,0007	1,1255	1,1247	,9991	,9979
WSI-1618-24	1	1 1/8	1 1/2	1,0041	1,0007	1,1255	1,1247	,9991	,9979
WSI-1820-12	1 1/8	1 9/32	3/4	1,1288	1,1254	1,2818	1,2808	1,1238	1,1226
WSI-2022-14	1 1/4	1 13/32	7/8	1,2548	1,2508	1,4068	1,4058	1,2488	1,2472
WSI-2022-16	1 1/4	1 13/32	1	1,2548	1,2508	1,4068	1,4058	1,2488	1,2472
WSI-2022-20	1 1/4	1 13/32	1 1/4	1,2548	1,2508	1,4068	1,4058	1,2488	1,2472
WSI-2022-24	1 1/4	1 13/32	1 1/2	1,2548	1,2508	1,4068	1,4058	1,2488	1,2472
WSI-2224-16	1 3/8	1 17/32	1	1,3798	1,3758	1,5318	1,5308	1,3738	1,3722
WSI-2224-24	1 3/8	1 17/32	1 1/2	1,3798	1,3758	1,5318	1,5308	1,3738	1,3722
WSI-2426-12	1 1/2	1 21/32	3/4	1,5048	1,5008	1,6568	1,6558	1,4988	1,4972
WSI-2426-16	1 1/2	1 21/32	1	1,5048	1,5008	1,6568	1,6558	1,4988	1,4972
WSI-2426-24	1 1/2	1 21/32	1 1/2	1,5048	1,5008	1,6568	1,6558	1,4988	1,4972
WSI-2426-44	1 1/2	1 21/32	2 3/4	1,5048	1,5008	1,6568	1,6558	1,4988	1,4972
WSI-2629-16	1 5/8	1 25/32	1	1,6297	1,6258	1,7818	1,7808	1,6238	1,6222
WSI-2629-20	1 5/8	1 25/32	1 1/4	1,6297	1,6258	1,7818	1,7808	1,6238	1,6222
WSI-2831-16	1 3/4	1 15/16	1	1,7547	1,7507	1,9381	1,9371	1,7487	1,7471
WSI-2831-24	1 3/4	1 15/16	1 1/2	1,7547	1,7507	1,9381	1,9371	1,7487	1,7471

* after pressfit. Testing methods ► page 1.35



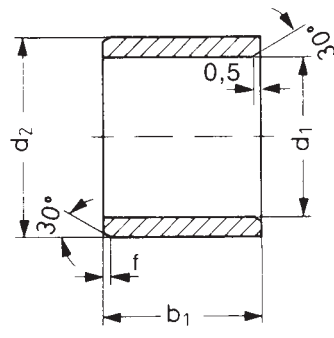
inch

iglidur® W300 – Type S

Phone +49 - 22 03 - 96 49-145
 Fax +49 - 22 03 - 96 49-334

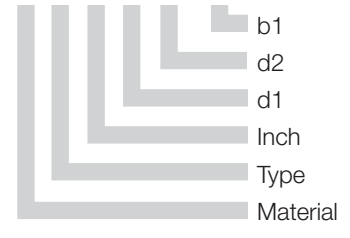
igus® GmbH
 51147 Cologne

Internet www.igus.de
 E-mail info@igus.de



Data in inches

Structure – part no.
W S I-2831-32



Chamfer in relation to the d1

d1 [mm]:	Ø 1-6	Ø 6-12	Ø 12-30	Ø > 30
f [mm]:	0,3	0,5	0,8	1,2

Part Number	d1	d2	b1	d1*		Housing Bore		Shaft Size	
				max.	min.	max.	min.	max.	min.
WSI-2831-32	1 3/4	1 15/16	2	1,7547	1,7507	1,9381	1,9371	1,7487	1,7471
WSI-2831-48	1 3/4	1 15/16	3	1,7547	1,7507	1,9381	1,9371	1,7487	1,7471
WSI-3235-16	2	2 3/16	1	2,0057	2,0011	2,1883	2,1871	1,9981	1,9969
WSI-3235-24	2	2 3/16	1 1/2	2,0057	2,0011	2,1883	2,1871	1,9981	1,9969
WSI-3235-32	2	2 3/16	2	2,0057	2,0011	2,1883	2,1871	1,9981	1,9969
WSI-3639-32	2 1/4	2 7/16	2	2,2577	2,2531	2,4377	2,4365	2,2507	2,2489

* after pressfit. Testing methods ► page 1.35

Order example

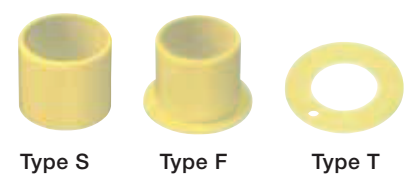
Our price breaks are defined by the order quantity.

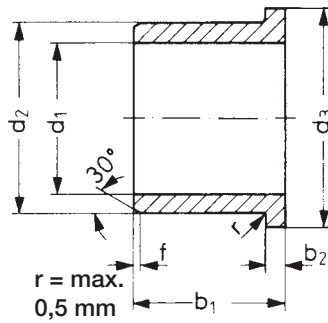
1- 9	25-49	100-199	500- 999	2500-4999
10-24	50-99	200-499	1000-2499	

For the current prices please visit the igus®-Homepage www.igus.de/en

No minimum order quantities!

No surcharges!





Data in inches

Structure – part no.
W F I -0203-03



b1	Inch
d2	Type
d1	Material

Chamfer in relation to the d1

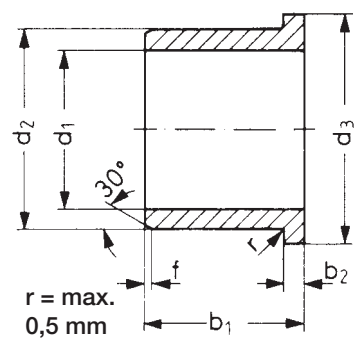
d1 [mm]:	Ø 1-6	Ø 6-12	Ø 12-30	Ø > 30
f [mm]:	0,3	0,5	0,8	1,2

Part Number	d1	d2	b1	d3	b2	d1*		Housing Bore		Shaft Size	
						max.	min.	max.	min.	max.	min.
WFI-0203-03	1/8	3/16	3/16	,312	,032	,1269	,1251	,1878	,1873	,1243	,1236
WFI-0203-04	1/8	3/16	1/4	,312	,032	,1269	,1251	,1878	,1873	,1243	,1236
WFI-0203-06	1/8	3/16	3/8	,312	,032	,1269	,1251	,1878	,1873	,1243	,1236
WFI-0304-02	3/16	1/4	1/8	,375	,032	,1892	,1873	,2503	,2497	,1865	,1858
WFI-0304-04	3/16	1/4	1/4	,375	,032	,1892	,1873	,2503	,2497	,1865	,1858
WFI-0304-06	3/16	1/4	3/8	,375	,032	,1892	,1873	,2503	,2497	,1865	,1858
WFI-0304-08	3/16	1/4	1/2	,375	,032	,1892	,1873	,2503	,2497	,1865	,1858
WFI-0405-04	1/4	5/16	1/4	,500	,032	,2521	,2498	,3128	,3122	,2490	,2481
WFI-0405-05	1/4	5/16	5/16	,500	,032	,2521	,2498	,3128	,3122	,2490	,2481
WFI-0405-06	1/4	5/16	3/8	,500	,032	,2521	,2498	,3128	,3122	,2490	,2481
WFI-0405-08	1/4	5/16	1/2	,500	,032	,2521	,2498	,3128	,3122	,2490	,2481
WFI-0405-12	1/4	5/16	3/4	,500	,032	,2521	,2498	,3128	,3122	,2490	,2481
WFI-0506-04	5/16	3/8	1/4	,562	,032	,3148	,3125	,3753	,3747	,3115	,3106
WFI-0506-06	5/16	3/8	3/8	,562	,032	,3148	,3125	,3753	,3747	,3115	,3106
WFI-0506-08	5/16	3/8	1/2	,562	,032	,3148	,3125	,3753	,3747	,3115	,3106
WFI-0506-12	5/16	3/8	3/4	,562	,032	,3148	,3125	,3753	,3747	,3115	,3106
WFI-0607-04	3/8	15/32	1/4	,687	,046	,3773	,3750	,4691	,4684	,3740	,3731
WFI-0607-06	3/8	15/32	3/8	,687	,046	,3773	,3750	,4691	,4684	,3740	,3731
WFI-0607-08	3/8	15/32	1/2	,687	,046	,3773	,3750	,4691	,4684	,3740	,3731
WFI-0607-12	3/8	15/32	3/4	,687	,046	,3773	,3750	,4691	,4684	,3740	,3731
WFI-0708-08	7/16	17/32	1/2	,750	,046	,4406	,4379	,5316	,5309	,4365	,4355
WFI-0809-04	1/2	19/32	1/4	,875	,046	,5030	,5003	,5941	,5934	,4990	,4980
WFI-0809-06	1/2	19/32	3/8	,875	,046	,5030	,5003	,5941	,5934	,4990	,4980
WFI-0809-08	1/2	19/32	1/2	,875	,046	,5030	,5003	,5941	,5934	,4990	,4980
WFI-0809-12	1/2	19/32	3/4	,875	,046	,5030	,5003	,5941	,5934	,4990	,4980
WFI-0809-16	1/2	19/32	1	,875	,046	,5030	,5003	,5941	,5934	,4990	,4980
WFI-1011-045	5/8	23/32	9/32	,937	,046	,6280	,6253	,7192	,7184	,6240	,6230
WFI-1011-08	5/8	23/32	1/2	,937	,046	,6280	,6253	,7192	,7184	,6240	,6230
WFI-1011-12	5/8	23/32	3/4	,937	,046	,6280	,6253	,7192	,7184	,6240	,6230
WFI-1011-16	5/8	23/32	1	,937	,046	,6280	,6253	,7192	,7184	,6240	,6230
WFI-1011-24	5/8	23/32	1 1/2	,937	,046	,6280	,6253	,7192	,7184	,6240	,6230
WFI-1214-08	3/4	7/8	1/2	1,125	,062	,7541	,7507	,8755	,8747	,7491	,7479
WFI-1214-10	3/4	7/8	5/8	1,125	,062	,7541	,7507	,8755	,8747	,7491	,7479
WFI-1214-12	3/4	7/8	3/4	1,125	,062	,7541	,7507	,8755	,8747	,7491	,7479
WFI-1214-16	3/4	7/8	1	1,125	,062	,7541	,7507	,8755	,8747	,7491	,7479
WFI-1214-24	3/4	7/8	1 1/2	1,125	,062	,7541	,7507	,8755	,8747	,7491	,7479
WFI-1416-04	7/8	1	1/4	1,250	,062	,8791	,8757	1,0005	,9997	,8741	,8729
WFI-1416-075	7/8	1	15/32	1,250	,062	,8791	,8757	1,0005	,9997	,8741	,8729

* after pressfit. Testing methods ► page 1.35

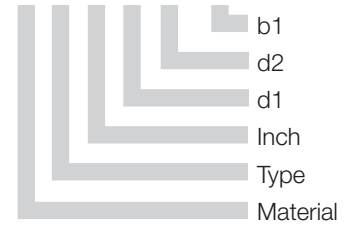
iglidur® W300 – Type F
inch

Phone +49 - 22 03 - 96 49-145
Fax +49 - 22 03 - 96 49-334



Data in inches

Structure – part no.
W F I-1416-08



Chamfer in relation to the d1

d1 [mm]:	Ø 1-6	Ø 6-12	Ø 12-30	Ø > 30
f [mm]:	0,3	0,5	0,8	1,2

inch

iglidur® W300 – Type F

Phone +49 - 22 03 - 96 49-145
Fax +49 - 22 03 - 96 49-334

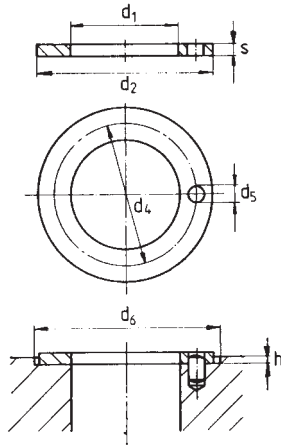
igus® GmbH
51147 Cologne

Internet www.igus.de
E-mail info@igus.de

Part Number	d1	d2	b1	d3	b2	d1*		Housing Bore		Shaft Size	
						max.	min.	max.	min.	max.	min.
WFI-1416-08	7/8	1	1/2	1,250	,062	,8791	,8757	1,0005	,9997	,8741	,8729
WFI-1416-115	7/8	1	23/32	1,250	,062	,8791	,8757	1,0005	,9997	,8741	,8729
WFI-1416-12	7/8	1	3/4	1,250	,062	,8791	,8757	1,0005	,9997	,8741	,8729
WFI-1416-16	7/8	1	1	1,250	,062	,8791	,8757	1,0005	,9997	,8741	,8729
WFI-1416-20	7/8	1	1 1/4	1,250	,062	,8791	,8757	1,0005	,9997	,8741	,8729
WFI-1416-24	7/8	1	1 1/2	1,250	,062	,8791	,8757	1,0005	,9997	,8741	,8729
WFI-141618-10	7/8	1	5/8	1,250	,062	,8791	,8757	1,0005	,9997	,8741	,8729
WFI-141620-11	7/8	1	11/16	1,250	,062	,8791	,8757	1,0005	,9997	,8741	,8729
WFI-1618-08	1	1 1/8	1/2	1,375	,062	1,0041	1,0007	1,1255	1,1247	,9991	,9979
WFI-1618-12	1	1 1/8	3/4	1,375	,062	1,0041	1,0007	1,1255	1,1247	,9991	,9979
WFI-1618-16	1	1 1/8	1	1,375	,062	1,0041	1,0007	1,1255	1,1247	,9991	,9979
WFI-1618-20	1	1 1/8	1 1/4	1,375	,062	1,0041	1,0007	1,1255	1,1247	,9991	,9979
WFI-1618-24	1	1 1/8	1 1/2	1,375	,062	1,0041	1,0007	1,1255	1,1247	,9991	,9979
WFI-1820-08	1 1/8	1 9/32	1/2	1,562	,078	1,1288	1,1254	1,2818	1,2808	1,1238	1,1226
WFI-1820-12	1 1/8	1 9/32	3/4	1,562	,078	1,1288	1,1254	1,2818	1,2808	1,1238	1,1226
WFI-1820-24	1 1/8	1 9/32	1 1/2	1,562	,078	1,1288	1,1254	1,2818	1,2808	1,1238	1,1226
WFI-2022-12	1 1/4	1 13/32	3/4	1,687	,078	1,2548	1,2508	1,4068	1,4058	1,2488	1,2472
WFI-2022-14	1 1/4	1 13/32	7/8	1,687	,078	1,2548	1,2508	1,4068	1,4058	1,2488	1,2472
WFI-2022-16	1 1/4	1 13/32	1	1,687	,078	1,2548	1,2508	1,4068	1,4058	1,2488	1,2472
WFI-2022-20	1 1/4	1 13/32	1 1/4	1,687	,078	1,2548	1,2508	1,4068	1,4058	1,2488	1,2472
WFI-2022-24	1 1/4	1 13/32	1 1/2	1,687	,078	1,2548	1,2508	1,4068	1,4058	1,2488	1,2472
WFI-2224-16	1 3/8	1 17/32	1	1,875	,078	1,3798	1,3758	1,5318	1,5308	1,3738	1,3722
WFI-2426-12	1 1/2	1 21/32	3/4	2,000	,078	1,5048	1,5008	1,6568	1,6558	1,4988	1,4972
WFI-2426-16	1 1/2	1 21/32	1	2,000	,078	1,5048	1,5008	1,6568	1,6558	1,4988	1,4972
WFI-2426-24	1 1/2	1 21/32	1 1/2	2,000	,078	1,5048	1,5008	1,6568	1,6558	1,4988	1,4972
WFI-2831-16	1 3/4	1 15/16	1	2,375	,093	1,7547	1,7507	1,9381	1,9371	1,7487	1,7471
WFI-2831-24	1 3/4	1 15/16	1 1/2	2,375	,093	1,7547	1,7507	1,9381	1,9371	1,7487	1,7471
WFI-2831-32	1 3/4	1 15/16	2	2,375	,093	1,7547	1,7507	1,9381	1,9371	1,7487	1,7471
WFI-3235-16	2	2 3/16	1	2,625	,093	2,0057	2,0011	2,1883	2,1871	1,9981	1,9969
WFI-3235-24	2	2 3/16	1 1/2	2,625	,093	2,0057	2,0011	2,1883	2,1871	1,9981	1,9969
WFI-3235-32	2	2 3/16	2	2,625	,093	2,0057	2,0011	2,1883	2,1871	1,9981	1,9969

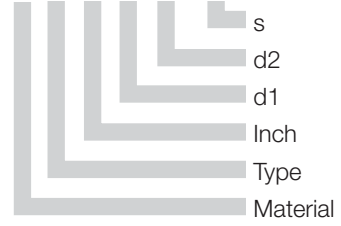
* after pressfit. Testing methods ► page 1.35

iglidur® W300 | Thrust Washer | inch



Data in inches

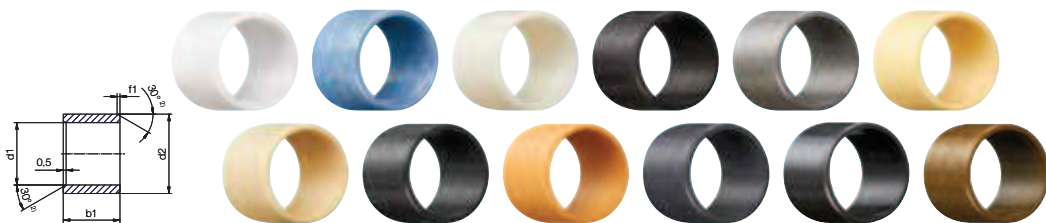
Structure - part no.
WT I-0814-01



Part Number	d1	d2	s	d4	d5	h	d6
	+ _{,010}	- _{,010}	- _{,0020}	+ _{,005}	+ _{,015} + _{,005}	+ _{,008}	+ _{,005}
WTI-0814-01	,500	,875	,0585	,692	,067	,040	,875
WTI-1018-01	,625	1,125	,0585	,880	,099	,040	1,125
WTI-1220-01	,750	1,250	,0585	1,005	,099	,040	1,250
WTI-1424-01	,875	1,500	,0585	1,192	,130	,040	1,500
WTI-1628-01	1,000	1,750	,0585	1,380	,130	,040	1,750
WTI-2034-01	1,250	2,125	,0585	1,692	,161	,040	2,125
WTI-2440-01	1,500	2,500	,0585	2,005	,192	,040	2,500
WTI-2844-01	1,750	2,750	,0585	2,255	,192	,040	2,750
WTI-3248-01	2,000	3,000	,0895	2,505	,192	,070	3,000

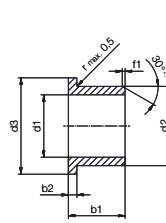
iglidur® W300 - Type T
inch

Phone +49 - 22 03 - 96 49-145
Fax +49 - 22 03 - 96 49-334



Dimensions sleeve Abmessungen zylindrisch [mm]

Part No. Art.-Nr.	d1	d1 tolerance d1-Toleranz	d2	b1 h13
A180SM-0810-15	8.0	+0.025 +0.083	10.0	15.0
A350SM-1416-12	14.0	+0.016 +0.068	16.0	12.0
C500SM-3034-30	30.0	+0.020 +0.104	34.0	30.0
F2SM-1214-15	12.0	+0.032 +0.102	14.0	15.0
F2SM-1618-20	16.0	+0.032 +0.102	18.0	20.0
GSM-0406-06	4.0	+0.020 +0.068	6.0	6.0
GSM-0810-36	8.0	+0.025 +0.083	10.0	36.0
GSM-120125-78	120.0	+0.072 +0.212	125.0	78.0
GSM-1214-45	12.0	+0.032 +0.102	14.0	45.0
GSM-1820-30	18.0	+0.032 +0.102	20.0	30.0
GSM-1822-15	18.0	+0.032 +0.102	22.0	15.0
GSM-2021-095	20.0	+0.020 +0.072	21.0	9.5
JSM-0814-08	8.0	+0.040 +0.130	14.0	8.0
JSM-1216-06	12.0	+0.050 +0.0160	16.0	6.0
JSM-1218-10	12.0	+0.050 +0.0160	18.0	10.0
JSM-1315-06	13.0	+0.050 +0.0160	15.0	6.0
JSM-1620-20	16.0	+0.050 +0.0160	20.0	20.0
JSM-6065-100	60.0	+0.060 +0.180	65.0	100.0
MSM-1620-10	16.0	+0.050 +0.0160	20.0	10.0
P210SM-1214-04	12.0	+0.032 +0.102	14.0	4.0
PSM-0608-05	6.0	+0.020 +0.068	8.0	5.0
PSM-0812-10	8.0	+0.040 +0.130	12.0	10.0
PSM-3236-15	32.0	+0.050 +0.150	36.0	15.0
Q2SM-1012-04	10.0	+0.025 +0.083	12.0	4.0
Q2SM-4246-52	42.0	+0.050 +0.150	46.0	52.0
X6SM-1416-22	14.0	+0.016 +0.086	16.0	22.0
X6SM-1618-12	16.0	+0.016 +0.086	18.0	12.0
X6SM-2023-15	20.0	+0.020 +0.104	23.0	15.0
ZSM-2225-35	22.0	+0.020 +0.104	25.0	35.0
ZSM-6065-25	60.0	+0.030 +0.150	65.0	25.0
ZSM-9095-100	90.0	+0.036 +0.176	95.0	100.0



Dimensions with flange Abmessungen mit Bund [mm]

Part No. Art.-Nr.	d1	d1 tolerance d1-Toleranz	d2	d3	b1 h13	b2
GFM-060710-06	6.0	+0.010 +0.040	7.0	10.0	6.0	0.5
GFM-0812-16	8.0	+0.040 +0.130	12.0	16.0	16.0	2.0
GFM-101115-03	10.0	+0.013 +0.046	11.0	15.0	3.0	1.0
GFM-1012-11	10.0	+0.025 +0.083	12.0	18.0	11.0	1.0
GFM-1012-25	10.0	+0.025 +0.083	12.0	18.0	25.0	1.0
GFM-1719-07	17.0	+0.032 +0.102	19.0	25.0	7.0	1.0
GFM-2527-12	25.0	+0.040 +0.124	27.0	32.0	12.0	1.0
GFM-2527-15	25.0	+0.040 +0.124	27.0	32.0	15.0	1.0
GFM-3034-12	30.0	+0.040 +0.124	34.0	42.0	12.0	2.0
GFM-303440-07	30.0	+0.040 +0.124	34.0	40.0	7.0	2.0
H1FM-0405-06	4.0	+0.010 +0.058	5.5	9.5	6.0	0.8
J350FM-6065-50	60.0	+0.030 +0.150	65.0	73.0	50.0	2.0
J3FM-081418-15	8.0	+0.025 +0.083	14.0	18.0	15.0	2.0
JFM-040810-15	4.0	+0.020 +0.068	8.0	10.0	15.0	2.0
JFM-0810-03	8.0	+0.025 +0.083	10.0	15.0	3.0	1.0
JFM-121419-06	12.0	+0.032 +0.102	14.0	19.0	6.0	1.0
JFM-121622-20	12.0	+0.050 +0.0160	16.0	22.0	20.0	2.0
JFM-2023-07	20.0	+0.040 +0.124	23.0	30.0	7.0	1.5
PFM-1214-08	12.0	+0.032 +0.102	14.0	8.0	20.0	1.0
PFM-1618-08	16.0	+0.032 +0.102	18.0	8.0	24.0	1.0
P210FM-0405-06	4.0	+0.020 +0.068	5.5	9.5	6.0	0.8
Q290FM-8085-100	80.0	+0.060 +0.180	85.0	93.0	100.0	2.5
Q2FM-101219-13	10.0	+0.025 +0.083	12.0	19.0	13.0	1.0
Q2FM-1013-05	10.0	+0.025 +0.083	13.0	20.0	5.0	1.0
Q2FM-2023-07	20.0	+0.040 +0.124	23.0	30.0	7.0	1.5
QFM-101215-04	10.0	+0.025 +0.083	12.0	15.0	4.0	1.0
QFM-121418-06	12.0	+0.032 +0.102	14.0	18.0	6.0	1.0
WFM-2023-08	20.0	+0.040 +0.124	23.0	30.0	8.0	1.5
XFM-1214-50	12.0	+0.016 +0.086	14.0	50.0	20.0	1.0
X6FM-0608-04	6.0	+0.010 +0.058	8.0	12.0	4.0	1.0
ZFM-1012-25	10.0	+0.013 +0.071	12.0	18.0	25.0	1.0
ZFM-2023-075	20.0	+0.020 +0.104	23.0	30.0	7.5	1.5

Calculate online Online berechenbar
www.igus.eu/iglidur-experte
www.igus.de/iglidur-expert

Available Lieferbar
 from stock ab Lager

www.igus.de/iglidur
www.igus.eu/iglidur

Calculate online Online berechenbar
www.igus.eu/iglidur-experte
www.igus.de/iglidur-expert

Available Lieferbar
 from stock ab Lager

www.igus.de/iglidur
www.igus.eu/iglidur