



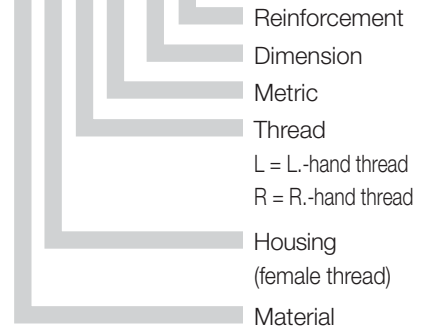
**EB..M**  
**mm**  
**Rod End Bearings**



Data in mm

Structure – part no.

**E B ... M-04 V**



EBRM V with metal inlay



### Material

Housing: igumid G  
▶ Page 70.6

Spherical Bearing: iglidur® W300  
▶ Chapter 5  
More Spherical bearing materials on request  
▶ Page 57.3

## igubal® – Rod End Bearings:

- Maintenance-free, self-lubricating
- High strength under impact loads
- Very high tensile strength for varying loads
- Compensation for alignment errors
- Compensation for edge loads
- Resistant to dirt, dust and lint
- Resistant to corrosion and chemicals
- High vibration dampening capacity
- Suitable for rotating, oscillating and linear movements
- Lightweight
- Dimensional series E according to standard DIN ISO 12240
- 50 % higher tensile force possible due to metal inlay (only dimension 16, more dimensions on request)

## Load Data

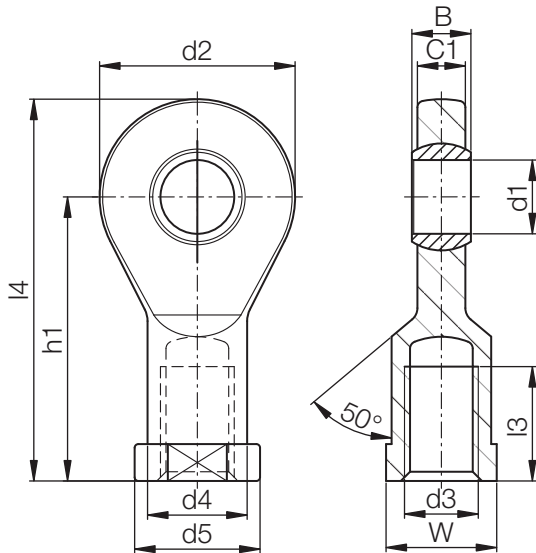
igubal® – Rod End Bearings EBRM / EBLM

Part Number		Max. static tensile strength		Max. radial load		Min. thread depth [mm]	Max. torque inside thread [Nm]	Max. torque through ball [Nm]
R.-hand thread	L.-hand thread	Short term [N]	Long term [N]	Short term [N]	Long term [N]			
EBRM-04	EBLM-04	800	400	100	50	7	0,4	2,0
EBRM-05	EBLM-05	1300	650	150	75	8	0,5	2,0
EBRM-06	EBLM-06	1500	750	200	100	8	1,5	2,5
EBRM-08	EBLM-08	2000	1000	450	225	11	5,0	7,0
EBRM-10	EBLM-10	2300	1150	500	250	13	15,0	14,0
EBRM-10 F	EBLM-10 F	2300	1150	500	250	13	6,0	14,0
EBRM-12	EBLM-12	3300	1650	550	275	14	20,0	25,0
EBRM-12 F	EBLM-12 F	3300	1650	550	275	14	15,0	25,0
EBRM-15	EBLM-15	4800	2400	800	400	18	25,0	30,0
EBRM-16	EBLM-16	5000	2500	850	425	18	20,0	32,0
EBRM-16 F	EBLM-16 F	5000	2500	850	425	18	15,0	32,0
EBRM-17	EBLM-17	5300	2650	1100	550	19	30,0	35,0
EBRM-17 F	EBLM-17 F	5300	2650	1100	550	19	27,5	35,0
EBRM-20	EBLM-20	7200	3600	1800	900	22	60,0	40,0
EBRM-20 M20	EBLM-20 M20	7200	3600	1800	900	22	60,0	40,0
EBRM-25	EBLM-25	10000	5000	2600	1300	27	115,0	55,0
EBRM-30	EBLM-30	10500	5250	3000	1500	33	130,0	70,0

Phone +49 - 22 03 - 96 49-145  
Fax +49 - 22 03 - 96 49-334

igus® GmbH  
51147 Cologne

Internet [www.igus.de](http://www.igus.de)  
E-mail [info@igus.de](mailto:info@igus.de)



**Dimensions [mm]**

igubal® – Rod End Bearings EBRM / EBLM

Part Number		d1	d2	d3	d4	d5	C1	B	h1	l3	l4	W	Max. pivot angle
		E10											
R.-hand thread	L.-hand thread												
EBRM-04	EBLM-04	4	15	M04	-	-	3,5	5	22,5	9,5	30,0	SW08	33°
EBRM-05	EBLM-05	5	19	M05	9,0	11	4,4	6	30	12	39,5	SW09	33°
EBRM-06	EBLM-06	6	21	M06	11,0	13	4,4	6	30	12	40,5	SW11	27°
EBRM-08	EBLM-08	8	24	M08	13,0	16	6,0	8	36	16	48,0	SW14	24°
EBRM-10	EBLM-10	10	29	M10	15,0	19	7,0	9	43	18	57,5	SW17	24°
EBRM-10 F	EBLM-10 F	10	29	M10x1,25	15,0	19	7,0	9	43	18	57,5	SW17	24°
EBRM-12	EBLM-12	12	34	M12	18,0	22	8,0	10	50	20	67,0	SW19	21°
EBRM-12 F	EBLM-12 F	12	34	M12x1,25	18,0	22	8,0	10	50	20	67,0	SW19	21°
EBRM-15	EBLM-15	15	40	M14	21,0	26	10,0	12	61	26	81,0	SW22	21°
EBRM-16	EBLM-16	16	43	M16	-	-	10,5	13	64,5	26,5	86,0	SW22	21°
EBRM-16 F	EBLM-16 F	16	43	M16 x 1,5	-	-	10,5	13	64,5	26,5	86,0	SW22	21°
EBRM-16 V		16	43	M16	-	-	10,5	13	64,5	26,5	86,0	SW22	21°
EBRM-17	EBLM-17	17	46	M16	24,0	30	11,0	14	67	27	90,0	SW27	18°
EBRM-17 F	EBLM-17 F	17	46	M16x1,5	24,0	30	11,0	14	67	27	90,0	SW27	18°
EBRM-20	EBLM-20	20	53	M20x1,5	27,0	34	13,0	16	77	31	103,5	SW30	16°
EBRM-20 M20	EBLM-20 M20	20	53	M20x2,5	27,0	34	13,0	16	77	31	103,5	SW30	16°
EBRM-25	EBLM-25	25	64	M24x2,0	34,0	41	17,0	20	94	38	126,5	SW36	16°
EBRM-30	EBLM-30	30	73	M30x2,0	41,0	48	19,0	22	110	47	146,5	SW41	13°

Available from stock

**Spherical bearing material to choose ▶ Page 57.3**



J4VEM:  
clearance-free



JEM: Low  
moisture absorption



REM:  
Low Cost

