



igubal®

igubal® KGLM SL | Pivoting Bearing Slim line | mm

KGLM SL/H
Pivoting Bearings

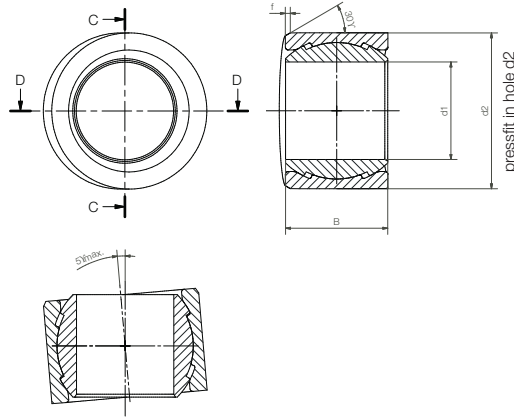
mm

Phone +49 - 22 03 - 96 49-145
Fax +49 - 22 03 - 96 49-334

igus® GmbH
51147 Cologne

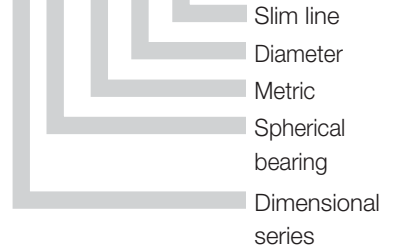
Internet www.igus.de
E-mail info@igus.de

55.4



Data in mm

Structure - part no.
K GL M-08 SL



Special Properties

- Very small space, halved wall thickness compared to KGLM
- Angle balancing up to 5°
- Low weight



Material

Housing: igumid G

► Page 70.6

Spherical Bearing:

iglidur® W300

► Chapter 5

Load Data and Dimensions [mm]

igubal® Mini KGLM-SL

Part Number	Max. static compressive strength (short term)		Max. static compressive strength (long term)		d1 [mm] E10	d2 [mm]	B [mm]	f [mm]	Max. Pivot Angle
	radial [N]	axial [N]	radial [N]	axial [N]					
	KGLM-08 SL	2700	450	1350					
KGLM-10 SL	4000	750	2000	375	10	16	10,5	0,5	5°
KGLM-12 SL	4500	750	2250	375	12	18	12,0	0,5	5°
KGLM-16 SL	6500	500	3250	250	16	22	15,0	0,5	5°

Available from stock