

**INDUSTRY**

**FORUM**

20 & 21 MARCH 2019

2019

## 20<sup>th</sup> Industry Forum

20. & 21. March 2019 | Augsburg

### Symposium for Component Manufacturers and the Industry

- Strategic Parts Management
- Clean Master Data & Classification 2.0
- Intelligent Finding & PURCHINEERING 2.0
- Electronic Product Catalogs
- Intelligent Engineering Data & Industry 4.0
- BIMcatalogs.net – Perfect Product Data for AEC & BIM

## LOD / LOI and the „I“ in BIM

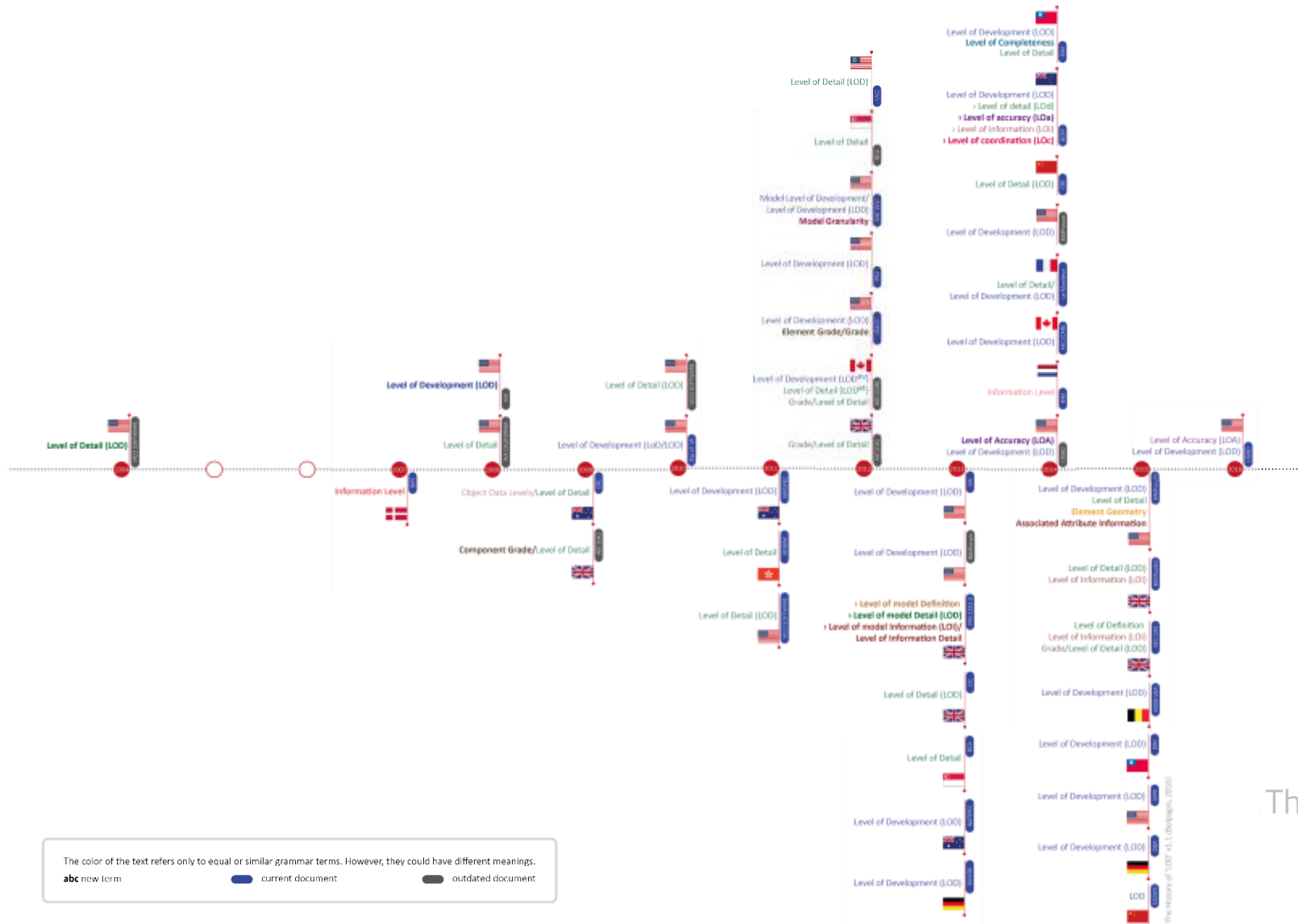
- History of LoX
- Meaning of the TLA´s
- Practice-oriented use cases

Stefan Günter  
Product Management BIM  
With CADENAS since 2003

[Email: S.Guenter@cadenas.de](mailto:S.Guenter@cadenas.de)

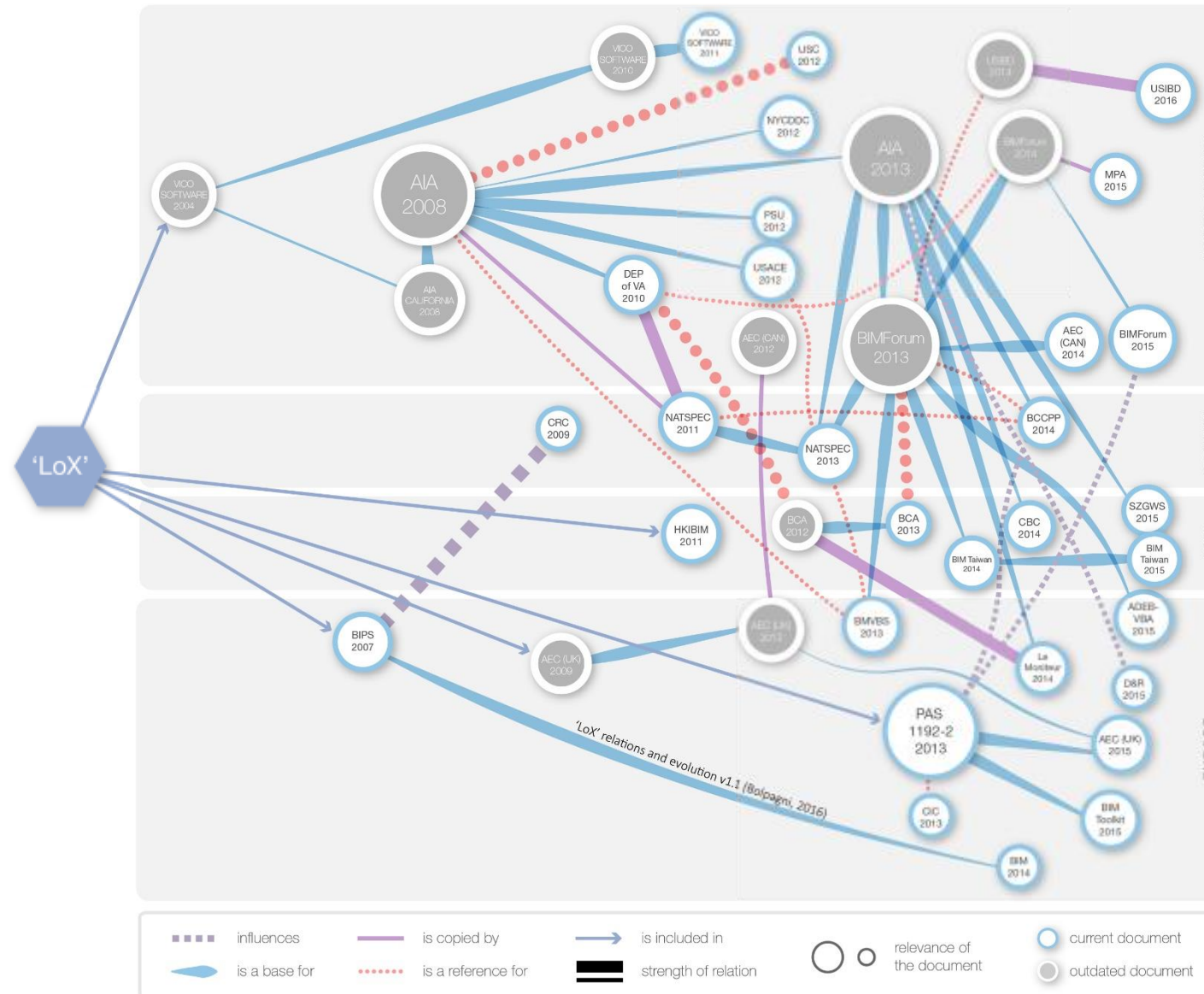


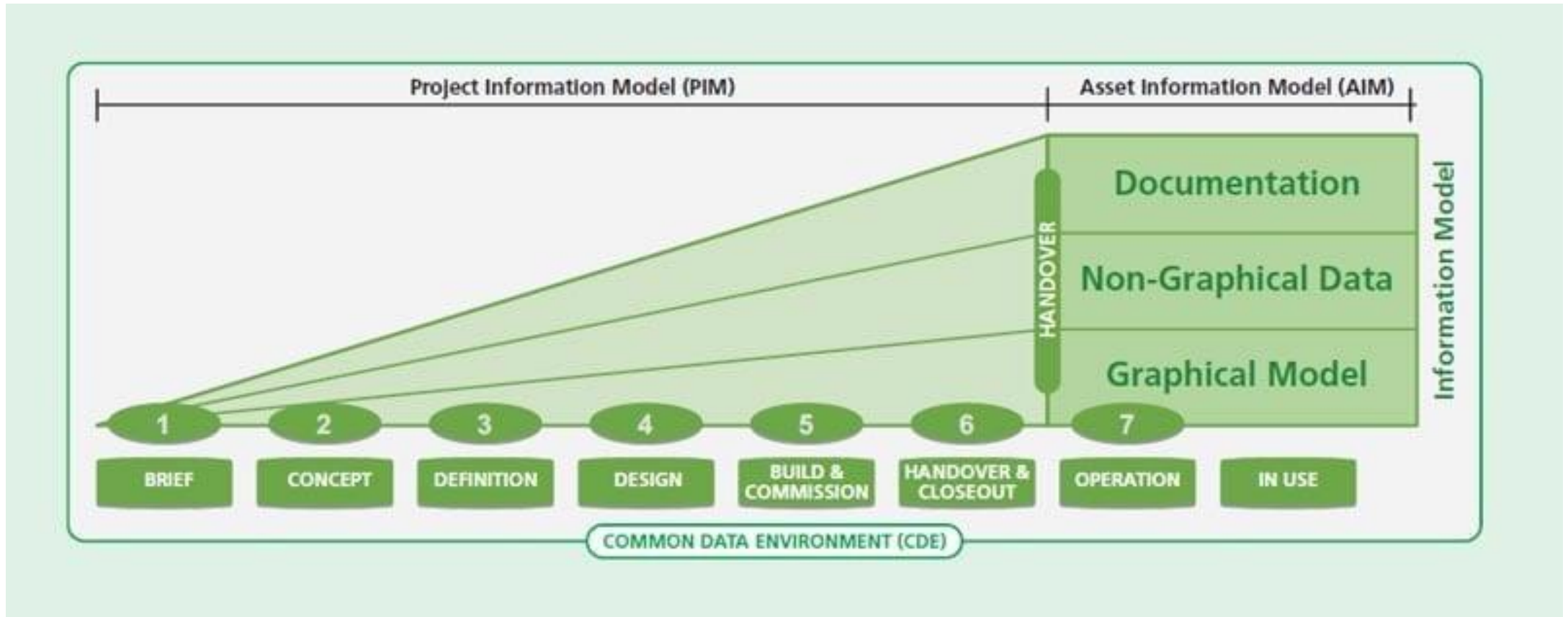


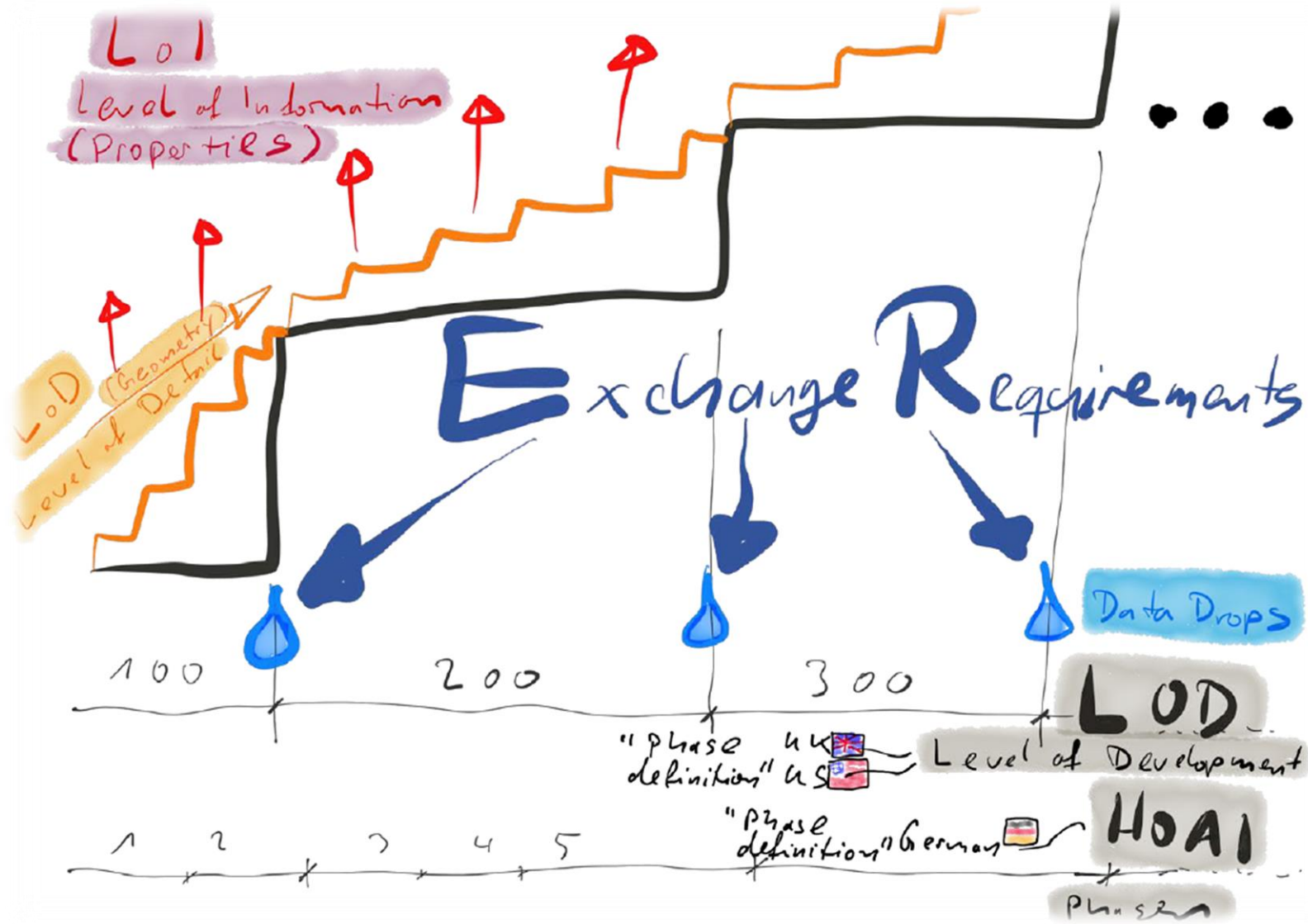


The history of „LOD“ v1.1 (Bolpagni, 2016)

Source: www.bimthinkspace.com







Quelle:  
 Vortrag zu IFC & BCF für den  
 Informationsaustausch in BIM  
 Projekten  
 (Prof. Rasso Steinmann)



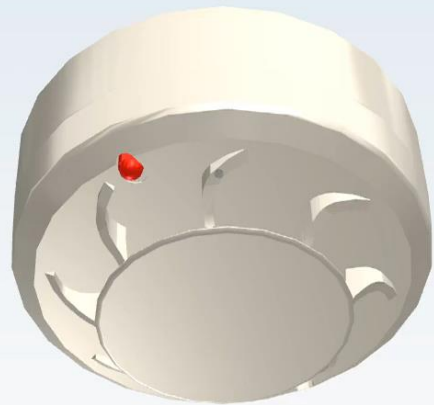




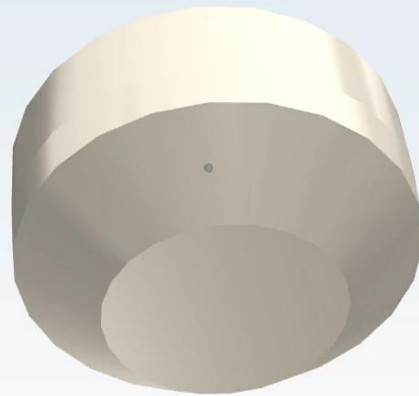




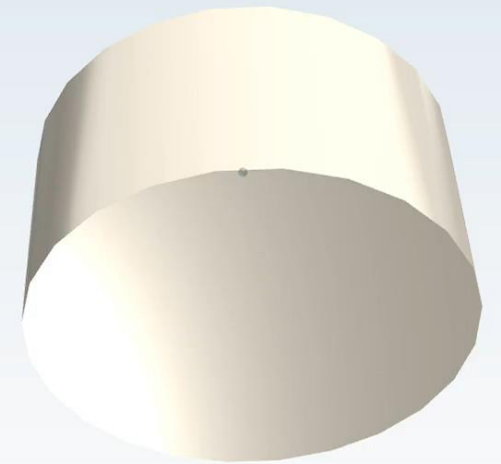




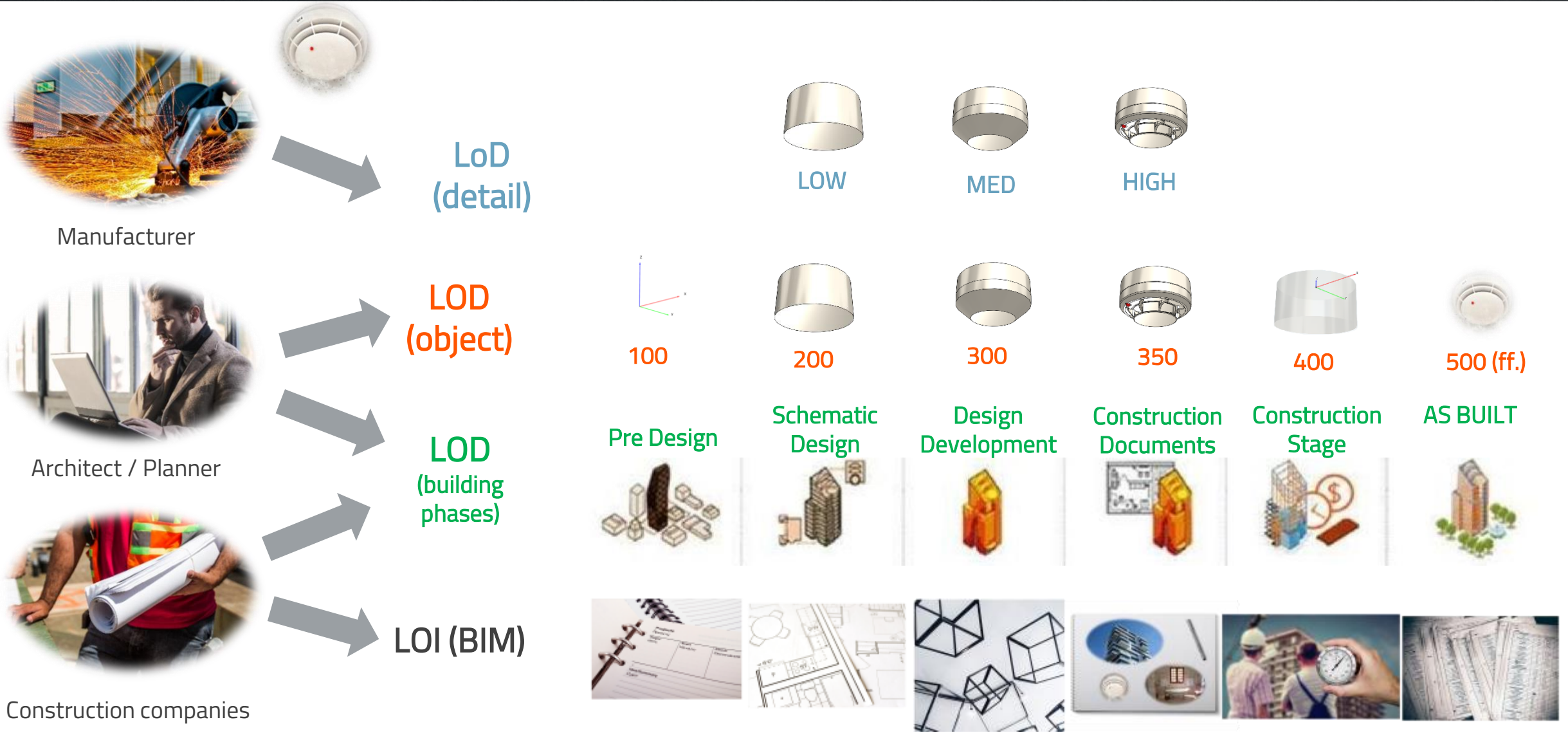
LoD HIGH LOD 350



LoD MED LOD 300



LoD LOW LOD 200





English

### Stormpan 44 natuurrood - Tuile tempête 44 rouge naturel

Export

Product Type	clay roofing tiles and fittings
Product standard	EN 1304 - clay roofing tiles and fittings - product definitions and ... see more ...
Product Type Definition	products for discontinuous laying on pitched roofs, and for wall ... see more ...
Country	Belgium
GTIN	5415059021213
Product code	12844000
Manufacturer	Wienerberger



Properties Classifications Documents BIM Files Components Live 3D

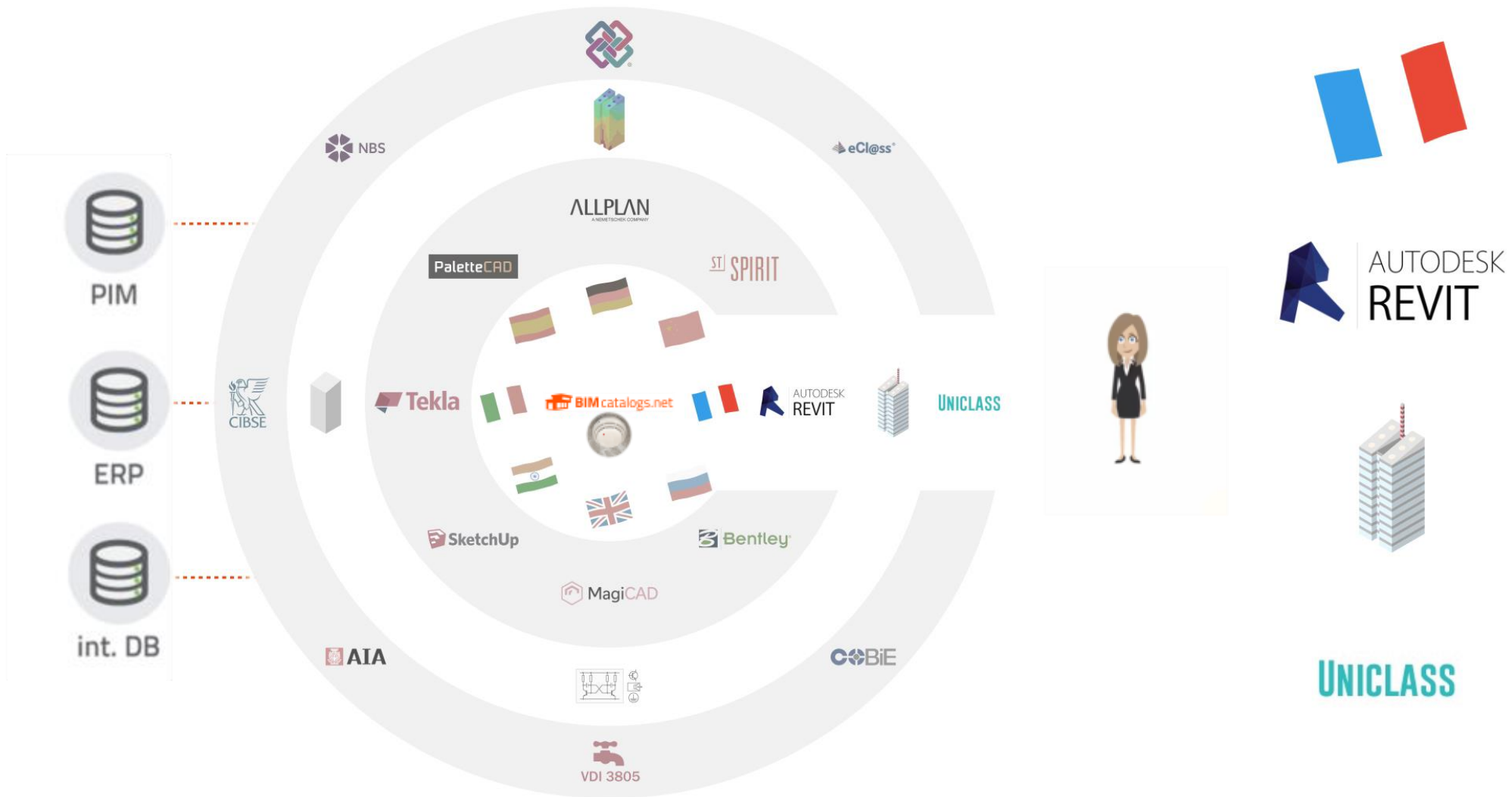
Selectable products: 1

19885676

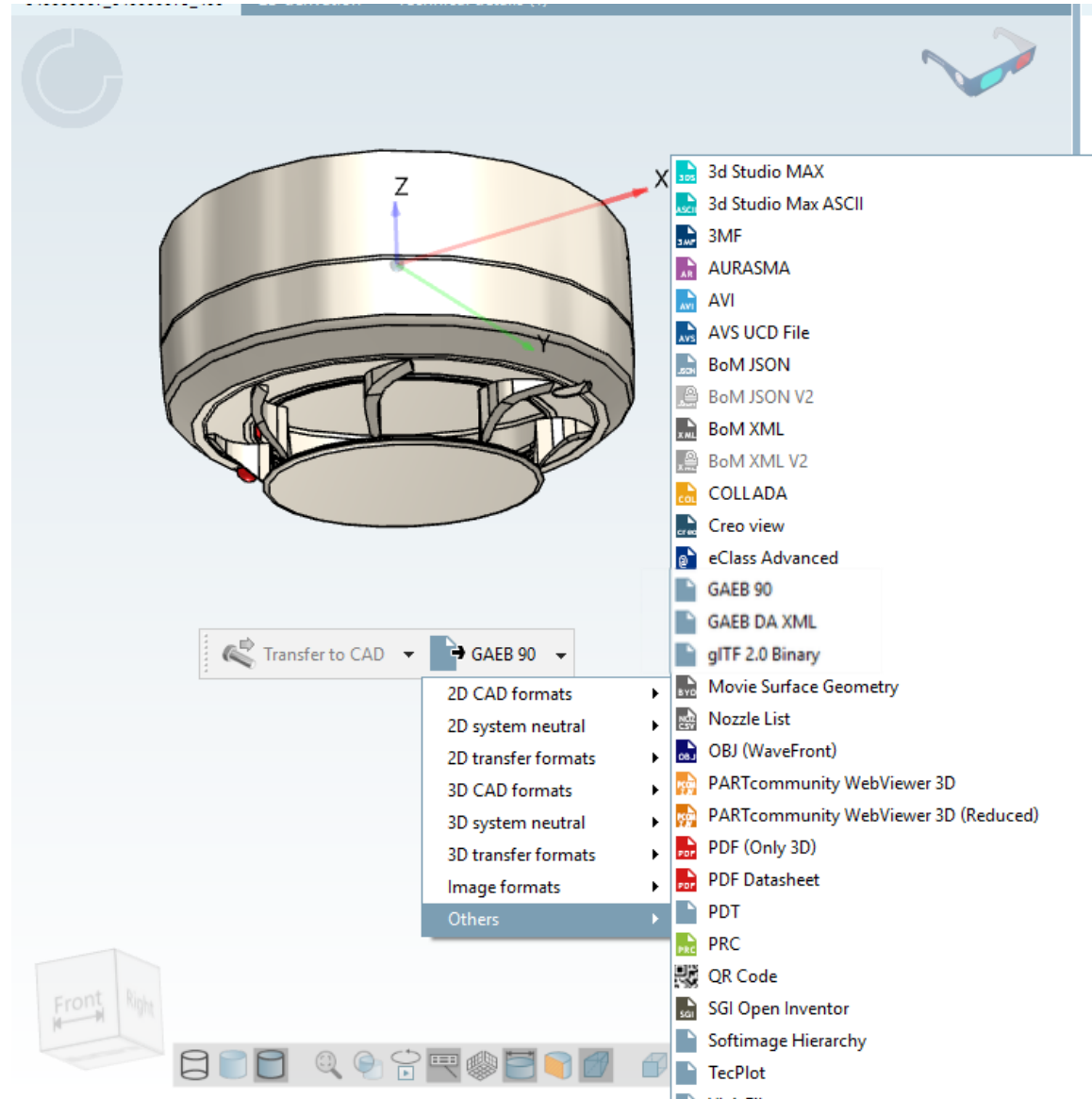
<b>CNSORDERNO</b> Order number	19885676			
<b>PN</b> Product Name	Stormpan 44			
<b>TYPE</b> Product Type	Clay Roofing Tiles and Fittings			
<b>LODLEVEL</b> LOD level	400			
<b>W</b> Nominal Width	221	mm		
<b>CN</b> Color Number	600			
<b>COL</b> Color	Natural Red			
<b>L</b> Nominal Length	302	mm		
<b>DT</b> Dimensional Tolerance	Pass			

3D Dimension 2D

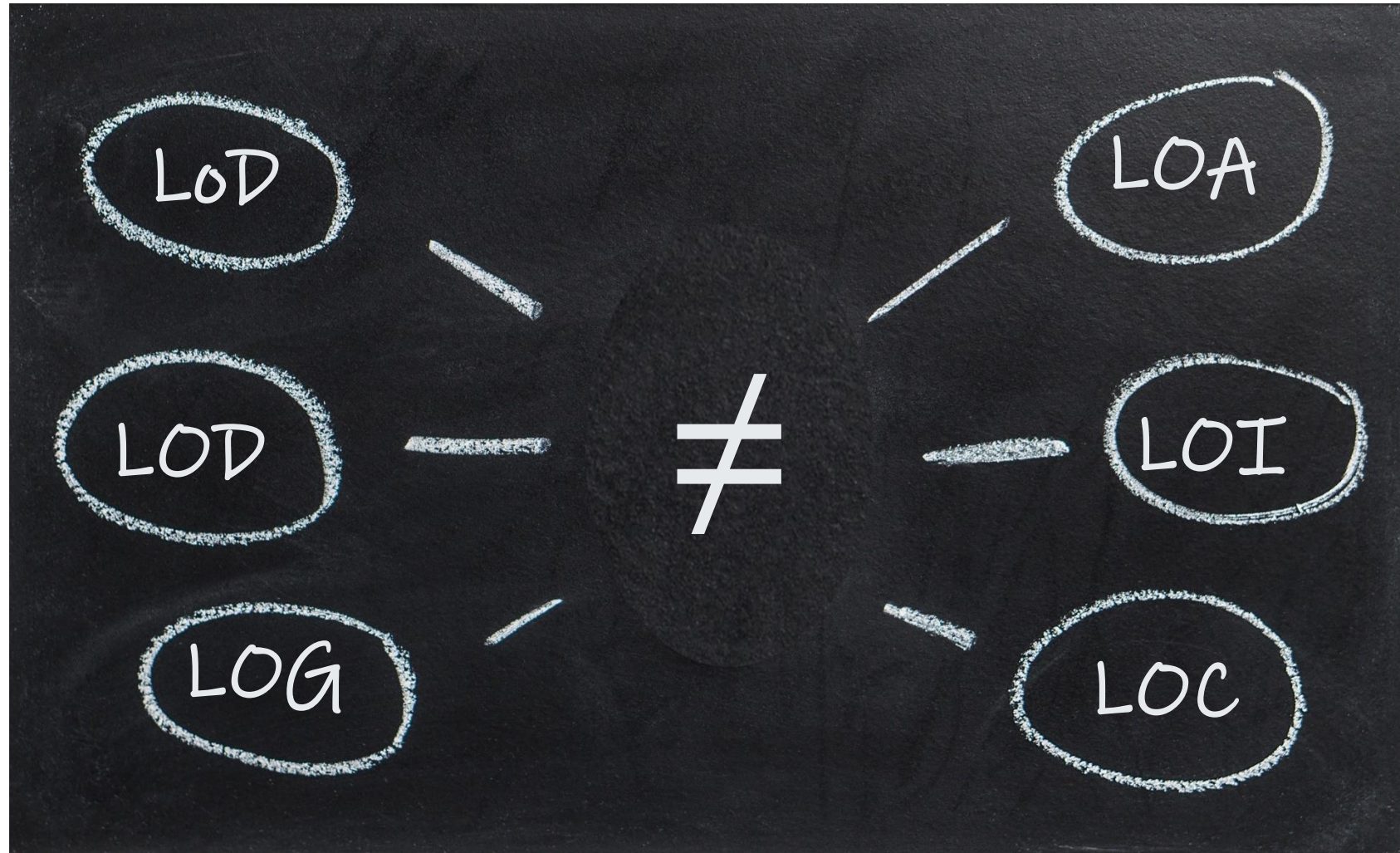










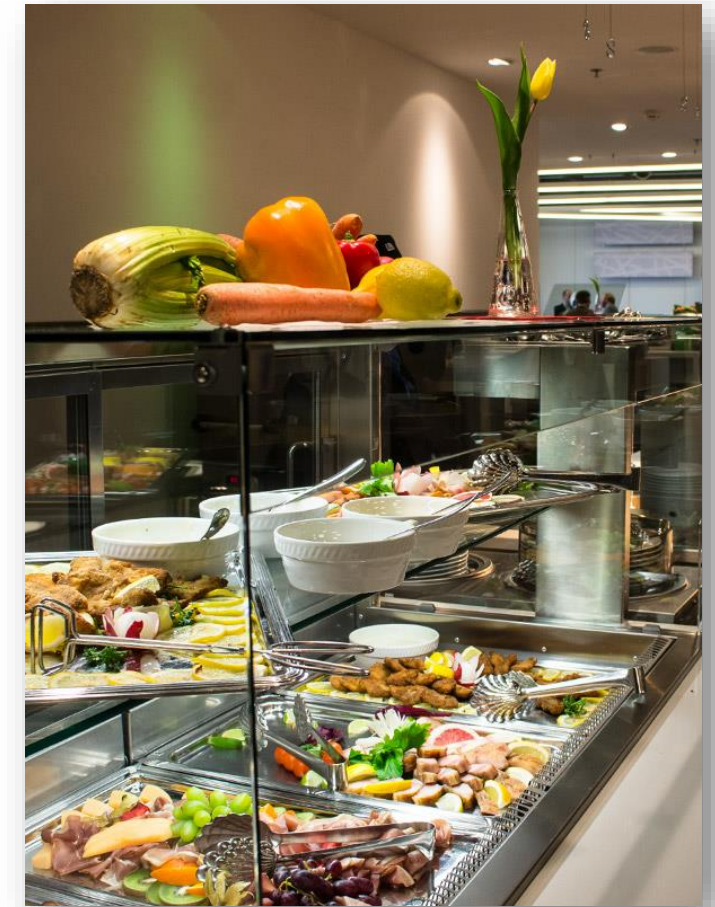


Thank you  
for your attention

Questions?  
Feedback?



**CADENAS**  
THE INNOVATION COMPANY



This document and all information contained herein is the sole property of CADENAS AG. No intellectual property rights are granted by the delivery of this document or the disclosure of its content. This document shall not be reproduced or disclosed to a third party without the express written consent of CADENAS AG. This document and its content shall only be used for its intended purpose.

The statements made herein do not constitute an offer. They are based on the mentioned assumptions and are expressed in good faith. Where the supporting grounds for these statements are not shown, CADENAS AG will be pleased to explain the basis thereof.