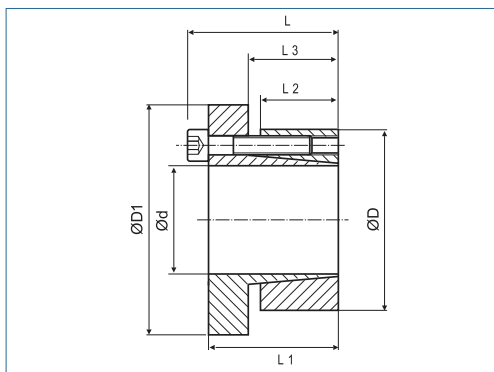


## Locking Device

optional  
nickel-plated version  
optional full stainless  
steel version



transmittable Torque	medium
surface pressure on hub	medium
self-centering	yes
axial movement of the hub during assembly	no
height D/d	high
overall length	short

Order Code

**KBS 15 - 20 x 55**

Type                      Ød                      ØD

Recommended finishing tolerances of contact surfaces are: shaft h8 / hub H8

Inner / Outer Ø dxD	Torque T Nm	Dimensions					Surface pressure on		Screws			Mass kg
		D1 mm	L mm	L1 mm	L2 mm	L3 mm	Shaft Pw N/mm <sup>2</sup>	Hub Pn N/mm <sup>2</sup>	No.	ISO 4762	TA Nm	
14 x 55	290	62	39	31	17	22	460	110	4	M8x25	42	0.50
16 x 55	360	62	39	31	17	22	400	110	4	M8x25	42	0.50
18 x 55	370	62	39	31	17	22	360	110	4	M8x25	42	0.50
19 x 55	390	62	39	31	17	22	340	110	4	M8x25	42	0.50
20 x 55	410	62	39	31	17	22	320	110	4	M8x25	42	0.50
22 x 55	450	62	39	31	17	22	290	110	4	M8x25	42	0.45
24 x 55	490	62	39	31	17	22	270	110	4	M8x25	42	0.45
25 x 55	510	62	39	31	17	22	260	110	4	M8x25	42	0.45
28 x 55	570	62	39	31	17	22	230	110	4	M8x25	42	0.45
30 x 55	610	62	39	31	17	22	220	110	4	M8x25	42	0.60
24 x 65	610	72	39	31	17	22	330	120	5	M8x25	42	0.65
25 x 65	640	72	39	31	17	22	320	120	5	M8x25	42	0.40
28 x 65	710	72	39	31	17	22	290	120	5	M8x25	42	0.60
30 x 65	770	72	39	31	17	22	270	120	5	M8x25	42	0.60
32 x 65	820	72	39	31	17	22	250	120	5	M8x25	42	0.60
33 x 65	850	72	39	31	17	22	240	120	5	M8x25	42	0.60
35 x 65	890	72	39	31	17	22	230	120	5	M8x25	42	0.60
38 x 65	970	72	39	31	17	22	210	120	5	M8x25	42	0.50
40 x 65	1020	72	39	31	17	22	200	120	5	M8x25	42	0.50
30 x 80	1070	87	41	33	20	25	320	110	7	M8x25	42	0.95
32 x 80	1140	87	41	33	20	25	300	110	7	M8x25	42	1.00
33 x 80	1180	87	41	33	20	25	280	110	7	M8x25	42	1.00
35 x 80	1250	87	41	33	20	25	270	110	7	M8x25	42	1.10
38 x 80	1350	87	41	33	20	25	250	110	7	M8x25	42	1.00
40 x 80	1420	87	41	33	20	25	240	110	7	M8x25	42	1.00
42 x 80	1500	87	41	33	20	25	230	110	7	M8x25	42	0.90
45 x 80	1600	87	41	33	20	25	210	110	7	M8x25	42	0.88
48 x 80	1710	87	41	33	20	25	200	110	7	M8x25	42	0.80
50 x 80	1780	87	41	33	20	25	190	110	7	M8x25	42	1.00