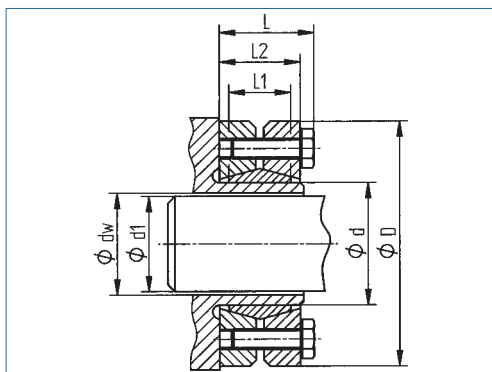


Shrink Disc

optional
nickel-plated version
optional full stainless
steel version



transmittable torque	medium
surface pressure on hub	medium
self-centering	no
height D/d	medium
overall length	medium

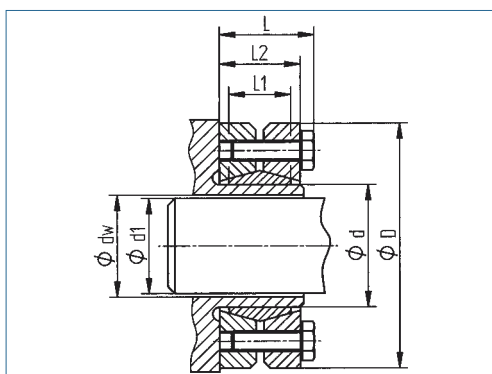
Order Code **KBS 19 - 165 x 290**
Type Ød ØD

Recommended finishing tolerances of contact surfaces are: shaft d h 9

Hollow Ød mm	Shaft Ø dw mm	Outer ØD mm	Torque T Nm	Dimensions				Fitting Tolerance max. mm	Surface pressure on		Screws			Mass kg
				L mm	L1 mm	L2 mm	Shaft Pw N/mm²		No.	ISO 4017	TA Nm			
14	10	38	40	18.5	10	15	0.014	154	4	M5x12	3	0.10		
	50		191											
	65		243											
16	12	41	65	20.5	12	17	0.014	108	5	M5x12	3	0.14		
	80		151											
	95		190											
18	14	44	85	20.5	12	17	0.014	172	4	M5x12	4	0.15		
	100		205											
	130		233											
20	15	46	110	20.5	12	17	0.017	205	5	M5x12	4	0.17		
	130		232											
	150		258											
21	16	50	180	23.5	14	20	0.017	220	6	M5x12	5	0.23		
	220		245											
	270		275											
24	19	50	220	23.5	14	20	0.017	189	6	M5x18	4	0.22		
	280		209											
	330		228											
30	24	60	350	25.5	16	22	0.017	159	7	M5x18	4	0.33		
	400		172											
	470		184											
36	28	72	730	27.5	18	23.5	0.032	232	5	M6x20	12	0.52		
	860		240											
	880		250											
38	29	72	710	28,5	19	24,5	0,032	198	6	M6x20	12	0.5		
	735		205											
	760		211											
40	30	72	770	28,5	19,0	24,5	0,032	216	6	M6x20	12	0.5		
	800		223											
	825		230											
44	32	80	1200	29.5	20	25.5	0.032	225	7	M6x20	12	0.64		
	1400		235											
	1500		244											
48	36	80	1350	29.5	20	25.5	0.032	222	7	M6x20	12	0.60		
	1450		236											
	1530		248											

Shrink Disc

optional
nickel-plated version
optional full stainless
steel version



transmittable torque	medium
surface pressure on hub	medium
self-centering	no
height D/d	medium
overall length	medium

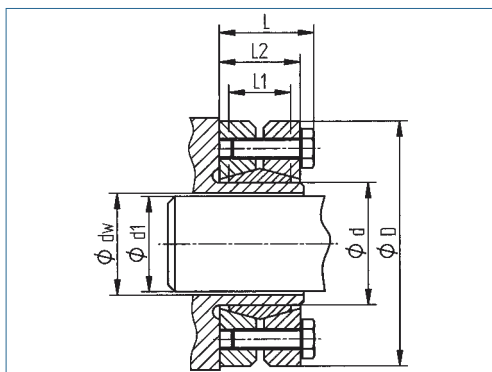
Order Code **KBS 19 - 165 x 290**
Type Ød ØD

Recommended finishing tolerances of contact surfaces are: shaft d h 9

Hollow Ød mm	Shaft Ø dw mm	Outer ØD mm	Torque T Nm	Dimensions				Fitting Tolerance max. mm	Surface pressure on	Screws			Mass kg
				L mm	L1 mm	L2 mm	Shaft Pw N/mm ²		No.	ISO 4017	TA Nm		
50	38	90	1500	31.5	22	27.5	0.032	204	8	M6x25	12	0.87	
	40		219										
	42		232										
55	42	100	1700	34.5	23	30.5	0.032	176	8	M6x25	12	1.18	
	45		193										
	48		210										
62	48	110	2700	34.5	23	30.5	0.048	213	10	M6x25	12	1.41	
	50		218										
	52		222										
68	50	115	2500	34.5	23	30.5	0.048	184	10	M6x25	12	1.46	
	55		188										
	60		212										
75	55	138	3500	37.8	25	32.5	0.048	199	7	M8x30	30	2.45	
	60		221										
	65		241										
80	60	145	4100	37.8	25	32.5	0.048	192	7	M8x30	30	2.66	
	65		211										
	70		228										
85	60	155	6900	44,3	30,0	39,0	0.048	179	10	M8x35	30	3.5	
	65		194										
	70		209										
90	65	155	6200	44.3	30	39	0.048	206	10	M8x35	30	3.4	
	70		222										
	75		236										
95	65	170	7200	49.3	34	44	0.048	197	12	M8x35	30	4.7	
	70		213										
	75		228										
100	70	170	7600	49.3	34	44	0.048	194	12	M8x35	30	4.6	
	75		207										
	80		220										
110	75	185	9100	56.4	39	50	0.048	176	9	M10x40	59	6.0	
	80		188										
	85		183										
115	80	185	10400	56.4	39	50	0.048	177	9	M10x40	59	6.1	
	90		199										
	95		210										
125	85	215	13300	60.4	42	54	0.069	186	12	M10x40	59	8.3	
	90		198										
	95		209										

Shrink Disc

optional
nickel-plated version
optional full stainless
steel version



transmittable torque	medium
surface pressure on hub	medium
self-centering	no
height D/d	medium
overall length	medium

Order Code **KBS 19 - 165 x 290**
Type Ød ØD

Recommended finishing tolerances of contact surfaces are: shaft d h 9

Hollow Ød mm	Shaft Ø dw mm	Outer ØD mm	Torque T Nm	Dimensions				Surface pressure on Shaft Pw N/mm²	Screws			Mass kg
				L mm	L1 mm	L2 mm	Fitting Tolerance max. mm		No.	ISO 4017	TA Nm	
140	95	230	18600	68	46	60.5	0.07	190	10	M12x45	100	10
	21600		199									
	24900		208									
155	105	265	25400	72	50	64.5	0.07	195	12	M12x50	100	15
	29000		203									
	32800		211									
165	115	290	38900	81	56	71	0.07	223	8	M16x55	250	22
	43600		230									
	47600		231									
175	125	300	42900	81	56	71	0.08	208	8	M16x55	250	22
	47800		215									
	53100		221									
185	135	330	60000	96	71	86	0.09	197	10	M16x65	250	37
	66400		202									
	73100		208									
195	140	350	75600	96	71	86	0.09	231	12	M16x65	250	41
	90600		241									
	98700		245									
200	150	350	87000	96	71	86	0.09	231	12	M16x65	250	41
	94800		236									
	103000		240									
220	160	370	110000	114	88	104	0.09	208	15	M16x80	250	54
	120000		212									
	129000		216									
240	170	405	146000	121.5	92	109	0.09	233	12	M20x80	490	67
	168000		239									
	190000		243									
260	190	430	197000	132.5	103	120	0.10	225	14	M20x90	490	82
	224000		231									
	254000		237									
280	210	460	260000	146.5	114	134	0.10	220	16	M20x100	490	102
	292000		225									
	327000		230									