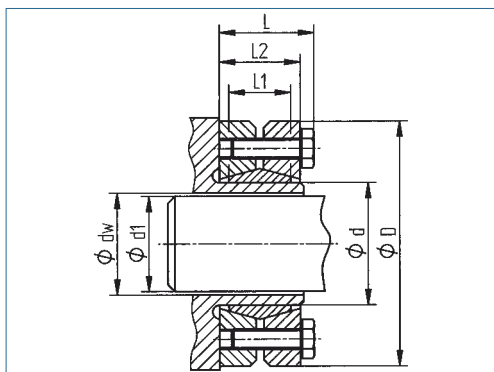


## Schrumpfscheibe

optional  
chem. vernickelt  
optional komplett  
in Edelstahl



|                                     |               |
|-------------------------------------|---------------|
| <b>übertragbares Drehmoment</b>     | <b>mittel</b> |
| <b>Flächenpressung auf der Nabe</b> | <b>mittel</b> |
| <b>selbstzentrierend</b>            | <b>nein</b>   |
| <b>Bauhöhe D/d</b>                  | <b>mittel</b> |
| <b>Baulänge</b>                     | <b>mittel</b> |

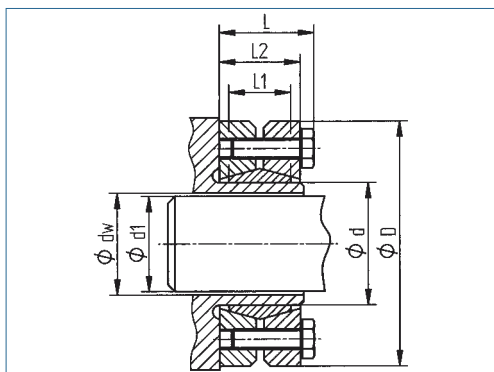
**Bestellbeispiel**    **KBS 19 - 165 x 290**  
Typ                      Ød                      ØD

**Die empfohlenen Bearbeitungstoleranzen für die Druckflächen sind: Welle d h 9**

| Hohlwelle<br>Ød mm | Welle<br>Ø dw<br>mm | Außen<br>ØD<br>mm | Drehmoment<br>T<br>Nm | Abmessungen |          |          |       | Passungs-<br>spiel<br>max.<br>mm | Flächenpressung an<br>Welle<br>Pw<br>N/mm² | Spannschrauben |          |      | Gewicht<br>kg |
|--------------------|---------------------|-------------------|-----------------------|-------------|----------|----------|-------|----------------------------------|--|----------------|----------|------|---------------|
|                    |                     |                   |                       | L<br>mm     | L1<br>mm | L2<br>mm | St.   |                                  |  | ISO 4017       | TA<br>Nm |      |               |
| 14                 | 10                  | 38                | 40                    | 18.5        | 10       | 15       | 0.014 | 154                              | 4  | M5x12          | 3        | 0.10 |               |
|                    | 11                  |                   | 191                   |             |          |          |       |                                  |  |                |          |      |               |
|                    | 12                  |                   | 243                   |             |          |          |       |                                  |  |                |          |      |               |
| 16                 | 12                  | 41                | 65                    | 20.5        | 12       | 17       | 0.014 | 108                              | 5  | M5x12          | 3        | 0.14 |               |
|                    | 13                  |                   | 151                   |             |          |          |       |                                  |  |                |          |      |               |
|                    | 14                  |                   | 190                   |             |          |          |       |                                  |  |                |          |      |               |
| 18                 | 14                  | 44                | 85                    | 20.5        | 12       | 17       | 0.014 | 172                              | 4  | M5x12          | 4        | 0.15 |               |
|                    | 15                  |                   | 205                   |             |          |          |       |                                  |  |                |          |      |               |
|                    | 16                  |                   | 233                   |             |          |          |       |                                  |  |                |          |      |               |
| 20                 | 15                  | 46                | 110                   | 20.5        | 12       | 17       | 0.017 | 205                              | 5  | M5x12          | 4        | 0.17 |               |
|                    | 16                  |                   | 232                   |             |          |          |       |                                  |  |                |          |      |               |
|                    | 17                  |                   | 258                   |             |          |          |       |                                  |  |                |          |      |               |
| 21                 | 16                  | 50                | 180                   | 23.5        | 14       | 20       | 0.017 | 220                              | 6  | M5x12          | 5        | 0.23 |               |
|                    | 17                  |                   | 245                   |             |          |          |       |                                  |  |                |          |      |               |
|                    | 18                  |                   | 275                   |             |          |          |       |                                  |  |                |          |      |               |
| 24                 | 19                  | 50                | 220                   | 23.5        | 14       | 20       | 0.017 | 189                              | 6  | M5x18          | 4        | 0.22 |               |
|                    | 20                  |                   | 209                   |             |          |          |       |                                  |  |                |          |      |               |
|                    | 21                  |                   | 228                   |             |          |          |       |                                  |  |                |          |      |               |
| 30                 | 24                  | 60                | 350                   | 25.5        | 16       | 22       | 0.017 | 159                              | 7  | M5x18          | 4        | 0.33 |               |
|                    | 25                  |                   | 172                   |             |          |          |       |                                  |  |                |          |      |               |
|                    | 26                  |                   | 184                   |             |          |          |       |                                  |  |                |          |      |               |
| 36                 | 28                  | 72                | 730                   | 27.5        | 18       | 23.5     | 0.032 | 232                              | 5  | M6x20          | 12       | 0.52 |               |
|                    | 30                  |                   | 240                   |             |          |          |       |                                  |  |                |          |      |               |
|                    | 31                  |                   | 250                   |             |          |          |       |                                  |  |                |          |      |               |
| 38                 | 29                  | 72                | 710                   | 28,5        | 19       | 24,5     | 0,032 | 198                              | 6  | M6x20          | 12       | 0.5  |               |
|                    | 30                  |                   | 205                   |             |          |          |       |                                  |  |                |          |      |               |
|                    | 31                  |                   | 211                   |             |          |          |       |                                  |  |                |          |      |               |
| 40                 | 30                  | 72                | 770                   | 28,5        | 19,0     | 24,5     | 0,032 | 216                              | 6  | M6x20          | 12       | 0.5  |               |
|                    | 31                  |                   | 223                   |             |          |          |       |                                  |  |                |          |      |               |
|                    | 32                  |                   | 230                   |             |          |          |       |                                  |  |                |          |      |               |
| 44                 | 32                  | 80                | 1200                  | 29.5        | 20       | 25.5     | 0.032 | 225                              | 7  | M6x20          | 12       | 0.64 |               |
|                    | 35                  |                   | 235                   |             |          |          |       |                                  |  |                |          |      |               |
|                    | 36                  |                   | 244                   |             |          |          |       |                                  |  |                |          |      |               |
| 48                 | 36                  | 80                | 1350                  | 29.5        | 20       | 25.5     | 0.032 | 222                              | 7  | M6x20          | 12       | 0.60 |               |
|                    | 38                  |                   | 236                   |             |          |          |       |                                  |  |                |          |      |               |
|                    | 40                  |                   | 248                   |             |          |          |       |                                  |  |                |          |      |               |

## Schrumpfscheibe

optional  
chem. vernickelt  
optional komplett  
in Edelstahl



|                                     |               |
|-------------------------------------|---------------|
| <b>übertragbares Drehmoment</b>     | <b>mittel</b> |
| <b>Flächenpressung auf der Nabe</b> | <b>mittel</b> |
| <b>selbstzentrierend</b>            | <b>nein</b>   |
| <b>Bauhöhe D/d</b>                  | <b>mittel</b> |
| <b>Baulänge</b>                     | <b>mittel</b> |

Bestellbeispiel

**KBS 19 - 165 x 290**

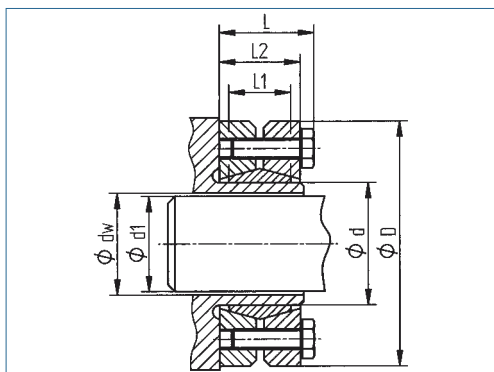
Typ                      Ød                      ØD

Die empfohlenen Bearbeitungstoleranzen für die Druckflächen sind: Welle d h 9

| Hohlwelle<br>Ød mm | Welle<br>Ø dw<br>mm | Außen<br>ØD<br>mm | Drehmo-<br>ment<br>T<br>Nm | Abmessungen |          |          |                               | Flächenpressung an<br>Welle<br>Pw<br>N/mm² | Spannschrauben |          |          | Gewicht<br>kg |
|--------------------|---------------------|-------------------|----------------------------|-------------|----------|----------|-------------------------------|--|----------------|----------|----------|---------------|
|                    |                     |                   |                            | L<br>mm     | L1<br>mm | L2<br>mm | Passungs-<br>spiel max.<br>mm |  | St.            | ISO 4017 | TA<br>Nm |               |
| 50                 | 38                  | 90                | 1500                       | 31.5        | 22       | 27.5     | 0.032                         | 204  | 8              | M6x25    | 12       | 0.87          |
|                    | 40                  |                   | 1800                       |             |          |          |                               | 219  |                |          |          |               |
|                    | 42                  |                   | 2100                       |             |          |          |                               | 232  |                |          |          |               |
| 55                 | 42                  | 100               | 1700                       | 34.5        | 23       | 30.5     | 0.032                         | 176  | 8              | M6x25    | 12       | 1.18          |
|                    | 45                  |                   | 2100                       |             |          |          |                               | 193  |                |          |          |               |
|                    | 48                  |                   | 2600                       |             |          |          |                               | 210  |                |          |          |               |
| 62                 | 48                  | 110               | 2700                       | 34.5        | 23       | 30.5     | 0.048                         | 213  | 10             | M6x25    | 12       | 1.41          |
|                    | 50                  |                   | 3000                       |             |          |          |                               | 218  |                |          |          |               |
|                    | 52                  |                   | 3200                       |             |          |          |                               | 222  |                |          |          |               |
| 68                 | 50                  | 115               | 2500                       | 34.5        | 23       | 30.5     | 0.048                         | 184  | 10             | M6x25    | 12       | 1.46          |
|                    | 55                  |                   | 3100                       |             |          |          |                               | 188  |                |          |          |               |
|                    | 60                  |                   | 4100                       |             |          |          |                               | 212  |                |          |          |               |
| 75                 | 55                  | 138               | 3500                       | 37.8        | 25       | 32.5     | 0.048                         | 199  | 7              | M8x30    | 30       | 2.45          |
|                    | 60                  |                   | 4700                       |             |          |          |                               | 221  |                |          |          |               |
|                    | 65                  |                   | 6000                       |             |          |          |                               | 241  |                |          |          |               |
| 80                 | 60                  | 145               | 4100                       | 37.8        | 25       | 32.5     | 0.048                         | 192  | 7              | M8x30    | 30       | 2.66          |
|                    | 65                  |                   | 5200                       |             |          |          |                               | 211  |                |          |          |               |
|                    | 70                  |                   | 6600                       |             |          |          |                               | 228  |                |          |          |               |
| 85                 | 60                  | 155               | 6900                       | 44,3        | 30,0     | 39,0     | 0.048                         | 179  | 10             | M8x35    | 30       | 3.5           |
|                    | 65                  |                   | 7500                       |             |          |          |                               | 194  |                |          |          |               |
|                    | 70                  |                   | 8150                       |             |          |          |                               | 209  |                |          |          |               |
| 90                 | 65                  | 155               | 6200                       | 44.3        | 30       | 39       | 0.048                         | 206  | 10             | M8x35    | 30       | 3.4           |
|                    | 70                  |                   | 7700                       |             |          |          |                               | 222  |                |          |          |               |
|                    | 75                  |                   | 9400                       |             |          |          |                               | 236  |                |          |          |               |
| 95                 | 65                  | 170               | 7200                       | 49.3        | 34       | 44       | 0.048                         | 197  | 12             | M8x35    | 30       | 4.7           |
|                    | 70                  |                   | 7800                       |             |          |          |                               | 213  |                |          |          |               |
|                    | 75                  |                   | 8300                       |             |          |          |                               | 228  |                |          |          |               |
| 100                | 70                  | 170               | 7600                       | 49.3        | 34       | 44       | 0.048                         | 194  | 12             | M8x35    | 30       | 4.6           |
|                    | 75                  |                   | 9300                       |             |          |          |                               | 207  |                |          |          |               |
|                    | 80                  |                   | 11300                      |             |          |          |                               | 220  |                |          |          |               |
| 110                | 75                  | 185               | 9100                       | 56.4        | 39       | 50       | 0.048                         | 176  | 9              | M10x40   | 59       | 6.0           |
|                    | 80                  |                   | 11000                      |             |          |          |                               | 188  |                |          |          |               |
|                    | 85                  |                   | 12200                      |             |          |          |                               | 183  |                |          |          |               |
| 115                | 80                  | 185               | 10400                      | 56.4        | 39       | 50       | 0.048                         | 177  | 9              | M10x40   | 59       | 6.1           |
|                    | 90                  |                   | 11700                      |             |          |          |                               | 199  |                |          |          |               |
|                    | 95                  |                   | 12400                      |             |          |          |                               | 210  |                |          |          |               |
| 125                | 85                  | 215               | 13300                      | 60.4        | 42       | 54       | 0.069                         | 186  | 12             | M10x40   | 59       | 8.3           |
|                    | 90                  |                   | 15800                      |             |          |          |                               | 198  |                |          |          |               |
|                    | 95                  |                   | 18600                      |             |          |          |                               | 209  |                |          |          |               |

## Schrumpfscheibe

optional  
chem. vernickelt  
optional komplett  
in Edelstahl



|                              |        |
|------------------------------|--------|
| übertragbares Drehmoment     | mittel |
| Flächenpressung auf der Nabe | mittel |
| selbstzentrierend            | nein   |
| Bauhöhe D/d                  | mittel |
| Baulänge                     | mittel |

Bestellbeispiel

**KBS 19 - 165 x 290**

Typ                      Ød                      ØD

Die empfohlenen Bearbeitungstoleranzen für die Druckflächen sind: Welle d h 9

| Hohlwelle<br>Ød mm | Welle<br>Ø dw<br>mm | Außen<br>ØD<br>mm | Drehmo-<br>ment<br>T<br>Nm | Abmessungen |          |          |      | Passungs-<br>spiel<br>max.<br>mm | Flächenpressung an<br>Welle<br>Pw<br>N/mm² | Spannschrauben |          |     | Gewicht<br>kg |
|--------------------|---------------------|-------------------|----------------------------|-------------|----------|----------|------|----------------------------------|--|----------------|----------|-----|---------------|
|                    |                     |                   |                            | L<br>mm     | L1<br>mm | L2<br>mm | St.  |                                  |  | ISO 4017       | TA<br>Nm |     |               |
| 140                | 95                  | 230               | 18600                      | 68          | 46       | 60.5     | 0.07 | 190                              | 10   | M12x45         | 100      | 10  |               |
|                    | 100                 |                   | 199                        |             |          |          |      |                                  |  |                |          |     |               |
|                    | 105                 |                   | 208                        |             |          |          |      |                                  |  |                |          |     |               |
| 155                | 105                 | 265               | 25400                      | 72          | 50       | 64.5     | 0.07 | 195                              | 12   | M12x50         | 100      | 15  |               |
|                    | 110                 |                   | 203                        |             |          |          |      |                                  |  |                |          |     |               |
|                    | 115                 |                   | 211                        |             |          |          |      |                                  |  |                |          |     |               |
| 165                | 115                 | 290               | 38900                      | 81          | 56       | 71       | 0.07 | 223                              | 8  | M16x55         | 250      | 22  |               |
|                    | 120                 |                   | 230                        |             |          |          |      |                                  |  |                |          |     |               |
|                    | 125                 |                   | 231                        |             |          |          |      |                                  |  |                |          |     |               |
| 175                | 125                 | 300               | 42900                      | 81          | 56       | 71       | 0.08 | 208                              | 8  | M16x55         | 250      | 22  |               |
|                    | 130                 |                   | 215                        |             |          |          |      |                                  |  |                |          |     |               |
|                    | 135                 |                   | 221                        |             |          |          |      |                                  |  |                |          |     |               |
| 185                | 135                 | 330               | 60000                      | 96          | 71       | 86       | 0.09 | 197                              | 10   | M16x65         | 250      | 37  |               |
|                    | 140                 |                   | 202                        |             |          |          |      |                                  |  |                |          |     |               |
|                    | 145                 |                   | 208                        |             |          |          |      |                                  |  |                |          |     |               |
| 195                | 140                 | 350               | 75600                      | 96          | 71       | 86       | 0.09 | 231                              | 12   | M16x65         | 250      | 41  |               |
|                    | 150                 |                   | 241                        |             |          |          |      |                                  |  |                |          |     |               |
|                    | 155                 |                   | 245                        |             |          |          |      |                                  |  |                |          |     |               |
| 200                | 150                 | 350               | 87000                      | 96          | 71       | 86       | 0.09 | 231                              | 12   | M16x65         | 250      | 41  |               |
|                    | 155                 |                   | 236                        |             |          |          |      |                                  |  |                |          |     |               |
|                    | 160                 |                   | 240                        |             |          |          |      |                                  |  |                |          |     |               |
| 220                | 160                 | 370               | 110000                     | 114         | 88       | 104      | 0.09 | 208                              | 15   | M16x80         | 250      | 54  |               |
|                    | 165                 |                   | 212                        |             |          |          |      |                                  |  |                |          |     |               |
|                    | 170                 |                   | 216                        |             |          |          |      |                                  |  |                |          |     |               |
| 240                | 170                 | 405               | 146000                     | 121.5       | 92       | 109      | 0.09 | 233                              | 12   | M20x80         | 490      | 67  |               |
|                    | 180                 |                   | 239                        |             |          |          |      |                                  |  |                |          |     |               |
|                    | 190                 |                   | 243                        |             |          |          |      |                                  |  |                |          |     |               |
| 260                | 190                 | 430               | 197000                     | 132.5       | 103      | 120      | 0.10 | 225                              | 14   | M20x90         | 490      | 82  |               |
|                    | 200                 |                   | 231                        |             |          |          |      |                                  |  |                |          |     |               |
|                    | 210                 |                   | 237                        |             |          |          |      |                                  |  |                |          |     |               |
| 280                | 210                 | 460               | 260000                     | 146.5       | 114      | 134      | 0.10 | 220                              | 16   | M20x100        | 490      | 102 |               |
|                    | 220                 |                   | 225                        |             |          |          |      |                                  |  |                |          |     |               |
|                    | 230                 |                   | 230                        |             |          |          |      |                                  |  |                |          |     |               |