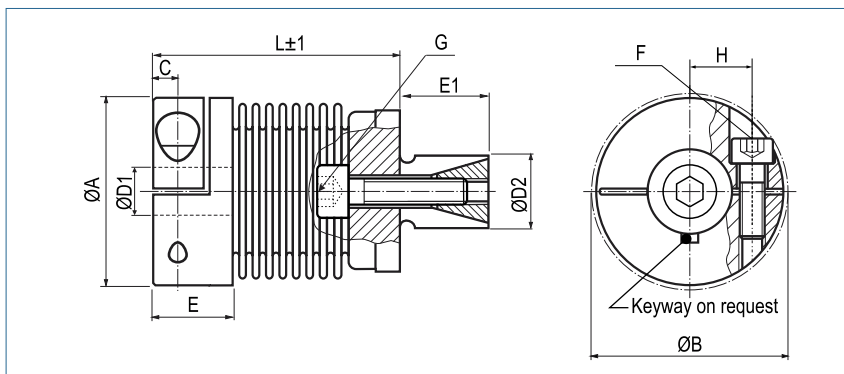


Metal Bellows Coupling

with expanding clamps

optional
laserwelded
optional full stainless
steel version

optional chem.
nickel-plated



Order Code

KB8 / 30	-	53	-	15	-	20	-	S
Type / Size		Length L		ØD1 (H7)		ØD2 (f7)		Options

Size	Torque TKN (Nm)	Dimensions (mm)										Technical Data										
		L Length	Ø A Outer Ø	D1 Bore Size (H7) min-max	D2 (f7) min-max	H	C	E	E1	B	F/G Screw (ISO4762) TA (Nm)	Mass (kg)	Moment of Inertia J (g m²)	Spring Stiffness			Misalignment			max. speed (min-1)		
													torsional CT 10³ (Nmrad)	radial CR (N/mm)	axial CA (N/mm)	radial ΔKr (mm)	axial ΔKa (mm)	angular ΔKw (°)				
18	18	45	45	10-25.4	13-25	17	5.5	17.5	20	47.4			M5	0.14	0.04	20	205	50	0.2	0.5	1.5	12800
		8											0.15	0.05	15	82	35	0.25	0.5	2	12800	
30	30	53	56	10-32 #30	14-30	20	7.5	24.5	25	56.4			M6	0.30	0.15	38	720	50	0.15	0.6	1.5	10300
		15											0.31	0.16	28	225	28	0.25	1.0	2	10300	
60	60	62	66	12-35	23-38	23	10	29	27	66			M8	0.40	0.28	75	1150	90	0.15	0.6	1.5	8700
		40											0.42	0.31	50	340	50	0.25	1.0	2	8700	
150	150	71	82	14-44	26-42	28	11	33.5	32	82.9			M10	0.80	0.90	155	2020	145	0.2	0.5	1.5	6900
		84											0.85	0.95	105	595	85	0.25	0.5	2	6900	
300	300	84	110	20-60	38-60	39	13	38	45	110			M12	1.62	3.28	502	6300	280	0.2	0.5	1.5	6000
		145											1.66	3.37	285	1400	145	0.25	0.8	2	6000	

Material	bellows – stainless steel collet clamps - aluminium expanding clamps - steel
Hub and Hollow Shaft	bore tolerance: H7
Keyway	optional acc. DIN 6885 biggest bore marked with a #
Temperature Range	-30 °C ~ 120 °C