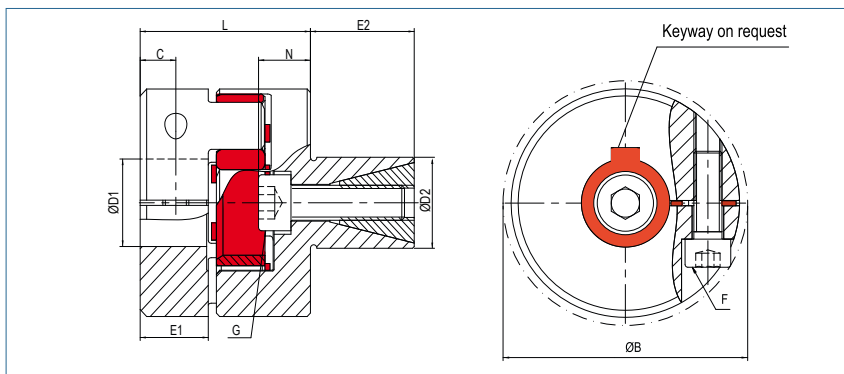


Servo Insert Coupling

with expanding clamps

optional full stainless steel version



Order Code	KBE4	-	38	-	40	-	35	-	98Sh
	Type		Size		ØD1 (H7)		ØD2 (h7)		Shore-hardness

Size	Dimensions (mm)											Technical Data			
	ØA Outer Ø	L	Ø D1 Bore Size (H7) min~max	Ø D2 (h7) min~max	E1	E2	N	C	B	F Screw (ISO4762) TA (Nm)	G Screw (ISO4762) TA (Nm)	max. speed upm. (1/min)	Mass (per coupling) (g)	Moment of Inertia (per coupling) J (g m²)	Torque (Nm)
14	30	28	4 - 16	13 - 25	11	20	7	5	32.2	M3 2	M5 9	20000	98	0.010	12.5
19	40	40	10 - 22/24*	14 - 30	17	25	10	9	45.7	M6 15	M6 15	19000	240	0.042	17
24	55	46	12 - 32	23 - 36	20	27	11	10	56.4	M6 15	M8 40	14000	463	0.158	60
28	65	51	19 - 37	26 - 42	21	32	16	11	72.6	M8 40	M10 84	11500	799	0.375	160
38	80	68	20 - 48	38 - 60	31	45	20	15	83.3	M8 40	M12 145	9500	1754	1.213	325

Ø Bore Size (mm)																							
Size	4	6	8	9	10	11	12	14	15	16	18	19	20	24	25	28	30	32	35	38	40	42	45
14	7.7	8.3	8.9	9.2	9.4	9.7	10	10.6	10.9	11.2													
19					44	45	47	49	50	51	54	55	56										
24							61	63	64	65	67	69	70	74	76	79	81	84					
28												114	116	123	124	130	133	137	142				
38													135	142	144	149	152	156	161	166	169	173	178

+ **Material** hub - aluminium
 expanding clamps - steel
 spider element - polyurethane

Hub bore tolerance: H7

Keyway optional acc. DIN 6885

Shore-hardness 98 Sh A (red)

* Hubs for bores > 22H7 to 24H7 will be supplied with 2 x M4 screws.
 Further spider elements and technical data are available on page 42.