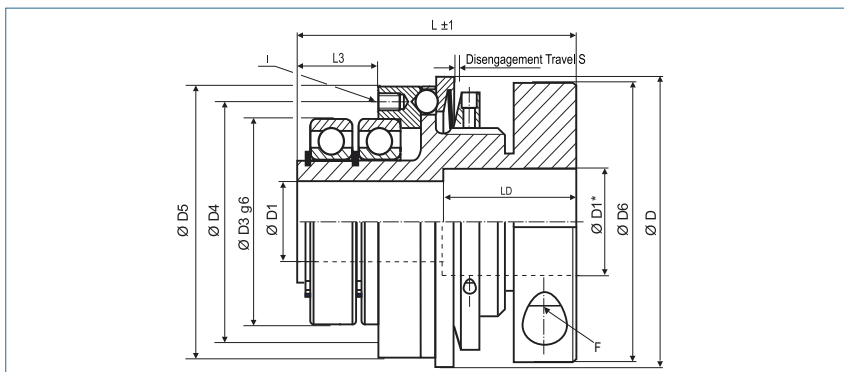


## Safety Coupling

with collet clamp and two bearings

optional  
nickel-plated version  
optional full stainless  
steel version



Order Code

**KBK/LL-K - 60 - 20H7 - 20Nm - C or D - 2**

Type

Size

ØD1 (H7)

Disengagement Torque

Torque Range

C = Single Position D = Multi Position Engagement

Size	Dimensions (mm)											Technical Data				
	ØD	Ø D1	Ø D3	Ø D4	Ø D5	Ø D6	L	L3	S	I	F	Torque Range		max. speed (1/min)	Mass (kg)	Moment of Inertia J (kg cm²)
	Outer Ø	Bore Size (H7) min-max					Length		6x	Screw ISO4762 T <sub>A</sub> (Nm)	1 T <sub>KN</sub> (Nm)	2 T <sub>KN</sub> (Nm)				
-2	29	3-8	19	21	25	25	34	7	0.7	M2	M3 2	0.2-1.5	0.5-2	13200	0.07	0.06
-4.5	36	6-13 9#	26	28	32	32.5	37	9	0.7	M2	M4 3.5	1-3	3-6	12300	0.13	0.22
-7	49	6-16 11#	37	42	47	40.5	46	15	0.7	M3	M4 4.5	1-4	3-7	12000	0.21	0.5
-10	49	6-16 11#	37	42	47	40.5	46	15	0.7	M3	M4 5.1	3-7	5-10	12000	0.21	0.5
-30	64	10-20 14#	47	53	60	56	66	20	1.2	M4	M6 15	5-15	10-30	9400	0.67	2.8
-60	79	12-28 21#	62	69	75	66	90	26	1.2	M5	M8 36	13-35	20-65	7800	1.2	7.3
-80	94	14-35 27#	68	80	90	82	83	27	2	M6	M10 84	15-40	30-80	6400	2.7	23
-150	94	14-35 27#	68	80	90	82	83	27	2	M6	M10 84	50-130	65-150	6400	2.7	23
-200	109	22-41 33#	80	90	105	90	96	28	2	M6	M12 125	30-90	80-200	5500	3.3	39
-300	119	30-50 42#	90	102	115	110	104	31	2	M8	M12 145	60-200	150-300	5000	4.9	73
-500	129	35-56 46#	100	112	125	122	113	31	2	M8	M12 145	80-250	200-500	4500	7.0	125

- Bore** > Ø D1 and ≤ D1\* only over LD
- Keyway** optional acc. DIN 6885  
biggest bore marked with a #
- Temperature Range** -30 °C ~ 120 °C

Size	2	4.5	7	10	30	60	80	150	200	300	500
D1*	11	X	20	20	26	31	38	38	X	57	62
LD	15	X	20	20	28	38	34	34	X	42	56